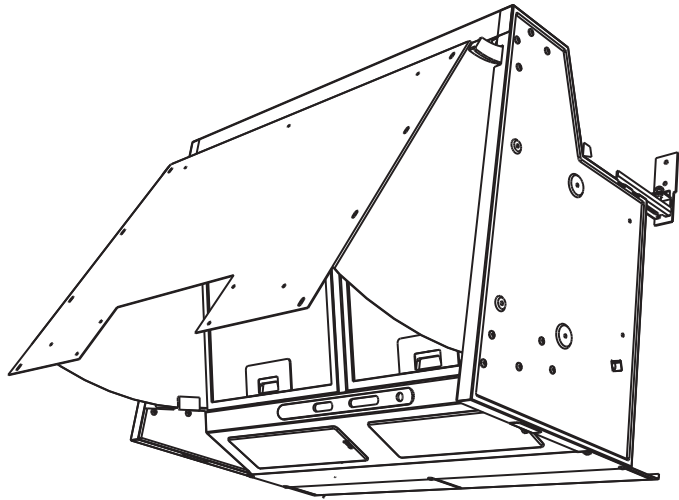


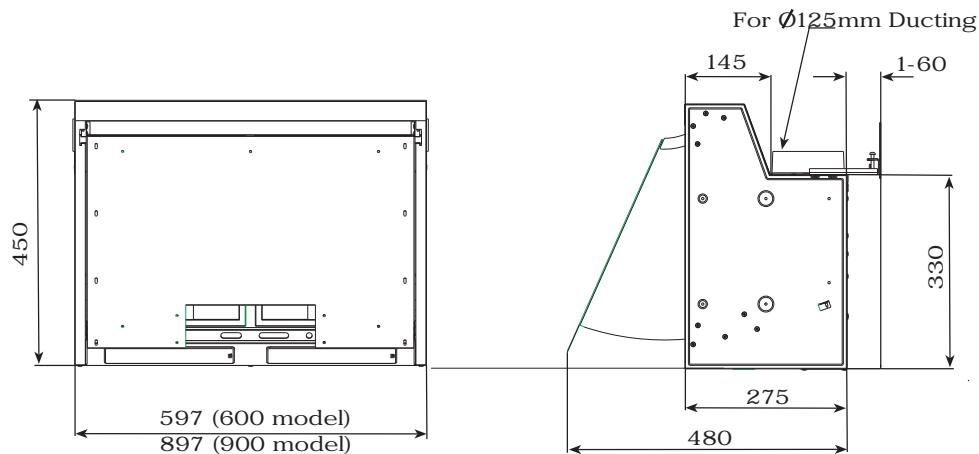
TILTERHOOD

INSTALLATION INSTRUCTION



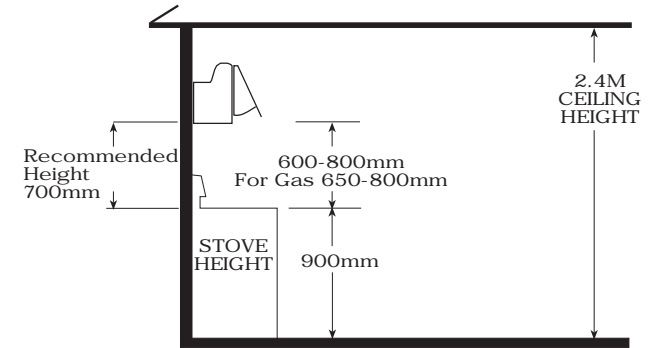
Note: Generic model is shown.
Actual Product may differ

PRODUCT DIMENSIONS

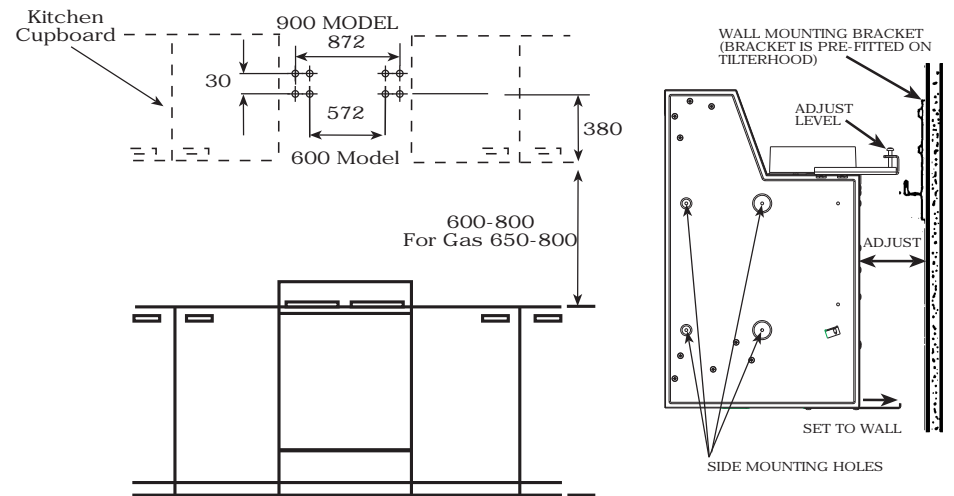


All Dimensions in mm

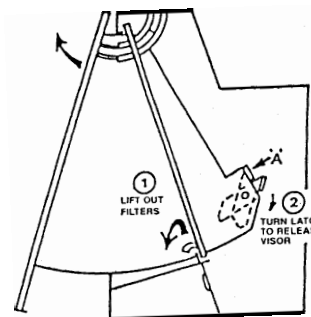
Recommended Installation Dimensions



Wall Mounting Bracket Position



Side Mounting & Decorative Fascia Fitting

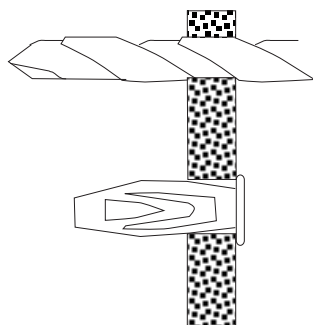


1. Lift out filters.
2. Turn latches, swing visor out and remove from cabinet. (This reveals side fixing screw position.)
3. Screw from inside through holes to side cupboards or wall. (Check screw length with thickness of cabinet panels)
4. Align and fix decorative fascia to visor (Supplied by customer to suit decor).
5. Return visor to cabinet, set latches up and replace filters.

NOTE Latches must be in position "A" during normal operation of the rangehood

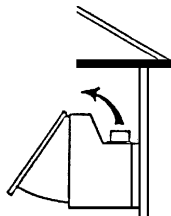
Installing Plugs For Wall Mounting Bracket

1. Mark location of holes as per installation instructions.
2. Drill 8mm hole.
Note: Do not use a screw driver to punch a hole in the base material.
3. Insert Plastic Toggle and tap with a hammer to ensure it is flush with the base material.



**FOR SOLID WALLS
USE APPROPRIATE WALL PLUGS**

Recirculated Mode



If your Rangehood is mounted for Recirculation mode, we recommend using Charcoal Filters.

Warning: Ensure no loose objects can fall into Ducting outlet.

Operation & Cleaning

OPERATION

after your Rangehood is fixed in position:

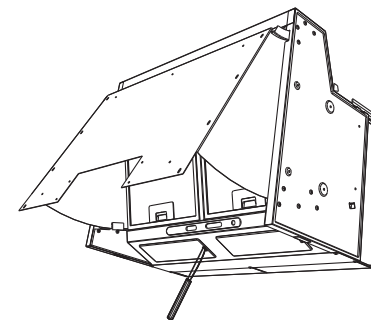
1. Check that the light and the diffuser are in place.
2. See that the filters are correctly positioned. Note: Remove Protective Film Cover
3. Plug into 230/240vac power outlet. Keep cord clear of stove elements or hot utensils. Permanent wiring to house supply, or modifications to plug or Supply Cord must be carried out by a qualified person.
4. Light is controlled by an ON/OFF switch in accordance with the graphics printed on the control panel.
Fan speed is controlled by a slider switch for 3-speed model and a rocker switch for 2 speed model. The high setting is only required when doing heavy cooking.

CLEANING

1. Disconnect the Rangehood from power supply.
2. Wash aluminium filters every 2 or 3 months, depending on usage, with hot soapy water or in the dishwasher.
3. Charcoal filters are disposable items and should be replaced as required.
4. Clean the external and internal surfaces, using a damp cloth and mild detergent. Do not use any powder or abrasive cleaners.

Lamp Replacement

1. Disconnect the Rangehood from power supply.
2. Insert small screwdriver or slim knife as shown, ease catch to side and slip out the diffuser.
3. Replace candle lamp (40 watt max).
4. Slide diffuser back into aperture and 'click' into place.



Parts & Service

For Accessories, Parts or Service, please contact your local supplier or approved service agent. (Refer to the Warranty Certificate)

WARNING

• This appliance is not intended for use by young children or infirm persons without supervision.

• Young children should be supervised to ensure that they do not play with the appliance.

• There shall be adequate ventilation of the room when the rangehood is used at the same time as appliances burning gas or other fuels.

• You must read the details concerning the method and frequency of cleaning.

• There is a fire risk if cleaning is not carried out in accordance with the instructions.

• Do not flambé under the rangehood.

• Exhaust air must not be discharged into an existing flue which is used for exhausting fumes from appliances burning gas or other fuels.

• The minimum distance between the hob surface and the lowest part of the range hood is 600mm. This distance shall be at least 650mm if the range hood is installed over a gas hob.

• Attention should be given to ensure that any applicable regulations concerning the discharge of exhaust air are fulfilled.

• If the supply cord of this equipment is damaged, it must only be replaced by the manufacturer or its service agent or similarly qualified person in order to avoid a hazard.

MANUFACTURED IN NEW ZEALAND BY:
ROBINHOOD LTD
P.O. BOX 51 201, PAKURANGA, AUCKLAND, N.Z.
TEL: +64 9 272 5129 • FAX: +64 9 272 5148
ISO9001 Certified

FOR SERVICE OR ADVICE CONTACT:
in New Zealand
Robinhood Ltd

Tel 0800 760 667, Fax 0800 276 246, Email enquiries@robinhood.co.nz

in Australia
Robinhood Australia Pty Ltd A.C.N. 104298062
Tel 1800 648 556, Fax 1800 628 577, Email enquiries@robinhood.co.nz

UNIDUCT
RANGEHOOD DUCTING

RECOMMENDED UNIDUCT DUCTING SYSTEMS FOR RANGEHOODS

Electrical Rating:
460W (1.16A)
Max. at 230-240V 50Hz