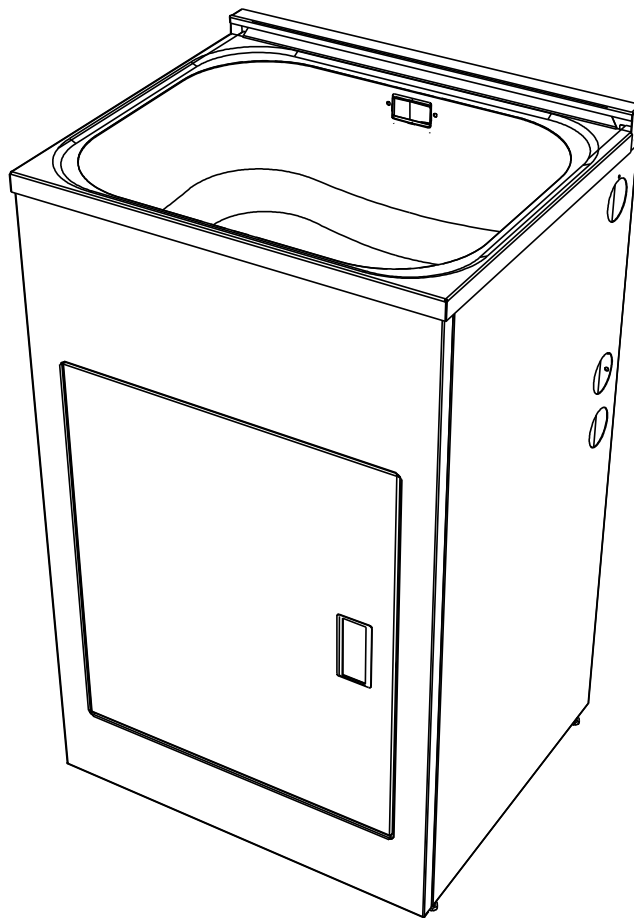
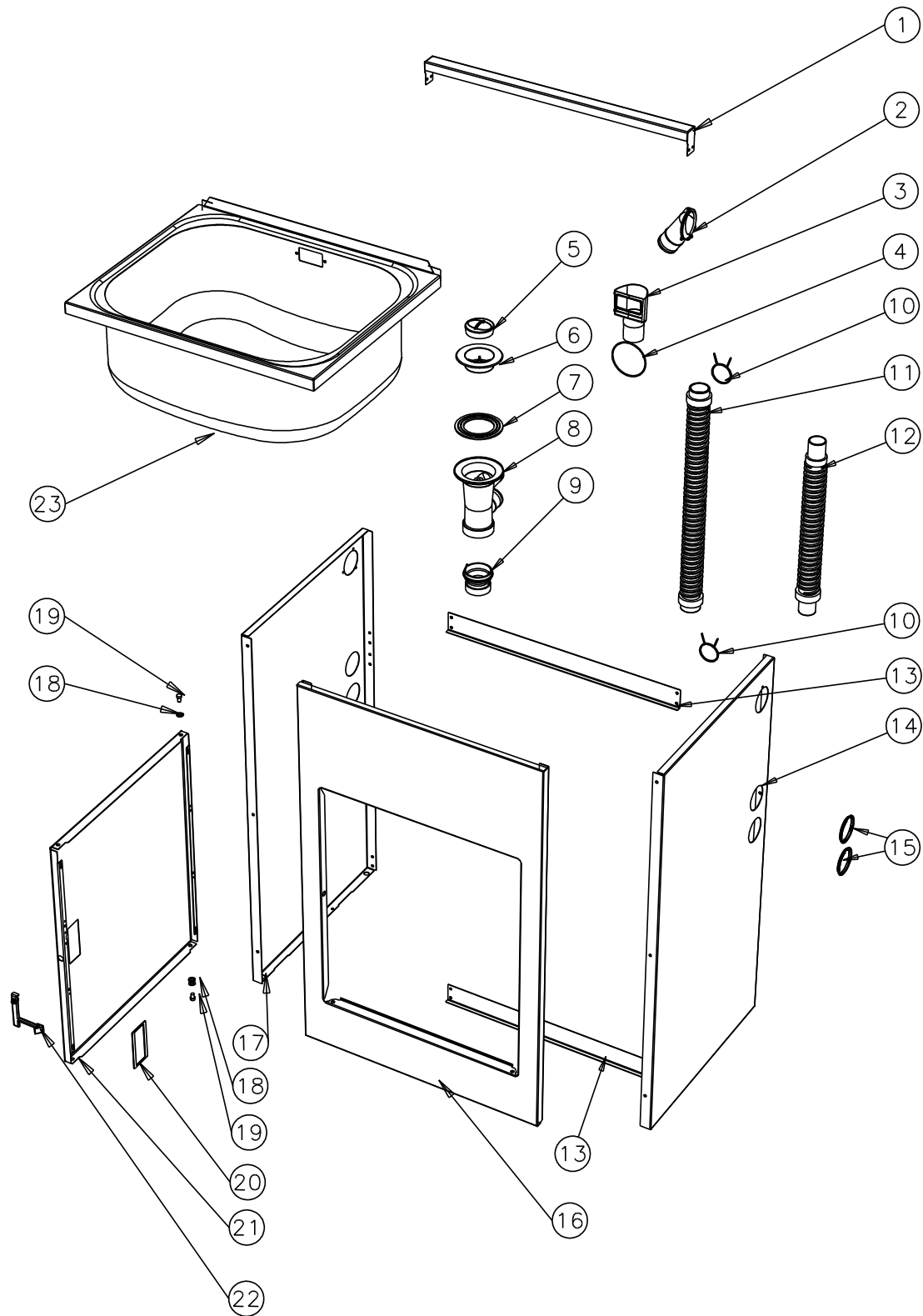


STCS



**LAUNDRY TUB  
STCS**





## STCS

ITEM	DESCRIPTION	Part No
1	STCS REAR COVER WHITE	750635WH
2	INLET MOUNT W/M	751068
3	OVERFLOW HOUSING	751069
4	O – RING 40mm ID	750081
5	PLUG WASTE 50mm	750636WH 750636BL
6	GRILL WASTE – 50mm STAINLESS STEEL M6x25 BUTTON-SKT-SS	750633SS 999140
	GRILL WASTE – 50mm WHITE SCREW M6x25 SS R/CSK. PHIL	750633WH 999125
7	SEAL – WASTE	750634
8	BODY – WASTE – 50mm	750632WH
9	ADAPTOR 50/40mm – WASTE	750638
10	HOSE SPRING	751070
11	FLEXIBLE HOSE W/M – CONNECTOR	USE ITEM 24
12	FLEXIBLE HOSE OVERFLOW	USE ITEM 24
13	BACK BRACE WHITE	750613WH
14	STC – SIDE RIGHT PAINTED WH	
15	GROMMET SIDE PANEL	750640WH
16	ST – FRONT PAINTED WHITE	
17	STC – SIDE LEFT PAINTED WH	
18	WASHER HINGE	750084
19	PIN HINGE	750085
20	HANDLE – DOOR	750016WH
21	DOOR – PAINTED WHITE	750615WH
22	LATCH – DOOR	750017
23	TUB STCSD MK2 50mm WASTE	
24	SUB ASSEMBLY FLEXI HOSE	750717

**NB CABINET PARTS & TUB NOT AVAILABLE OUTSIDE PRODUCTION  
( ITEM 14, 16, 17, 24 )**