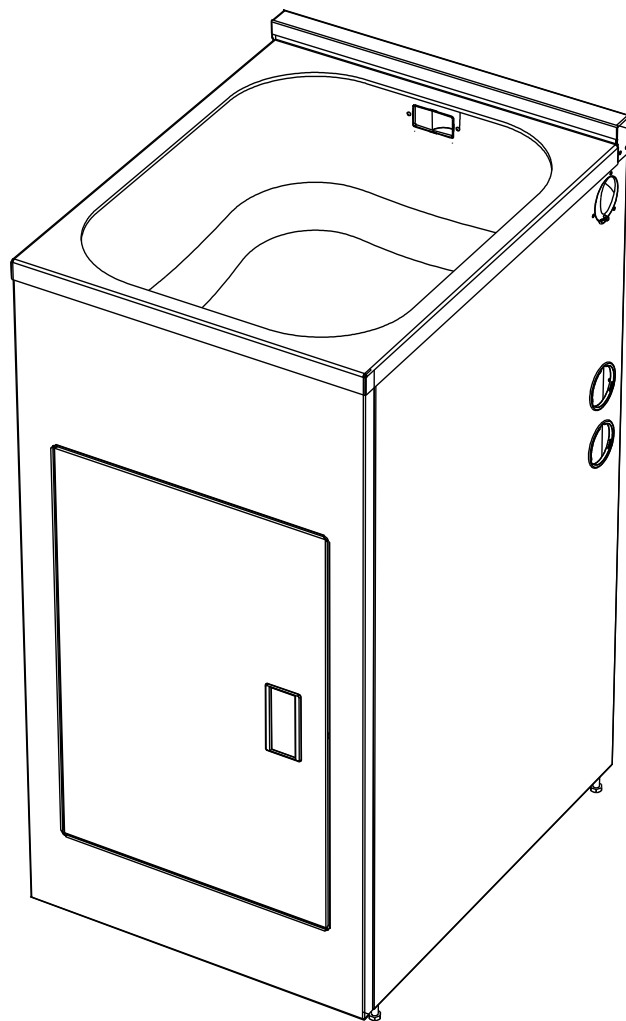


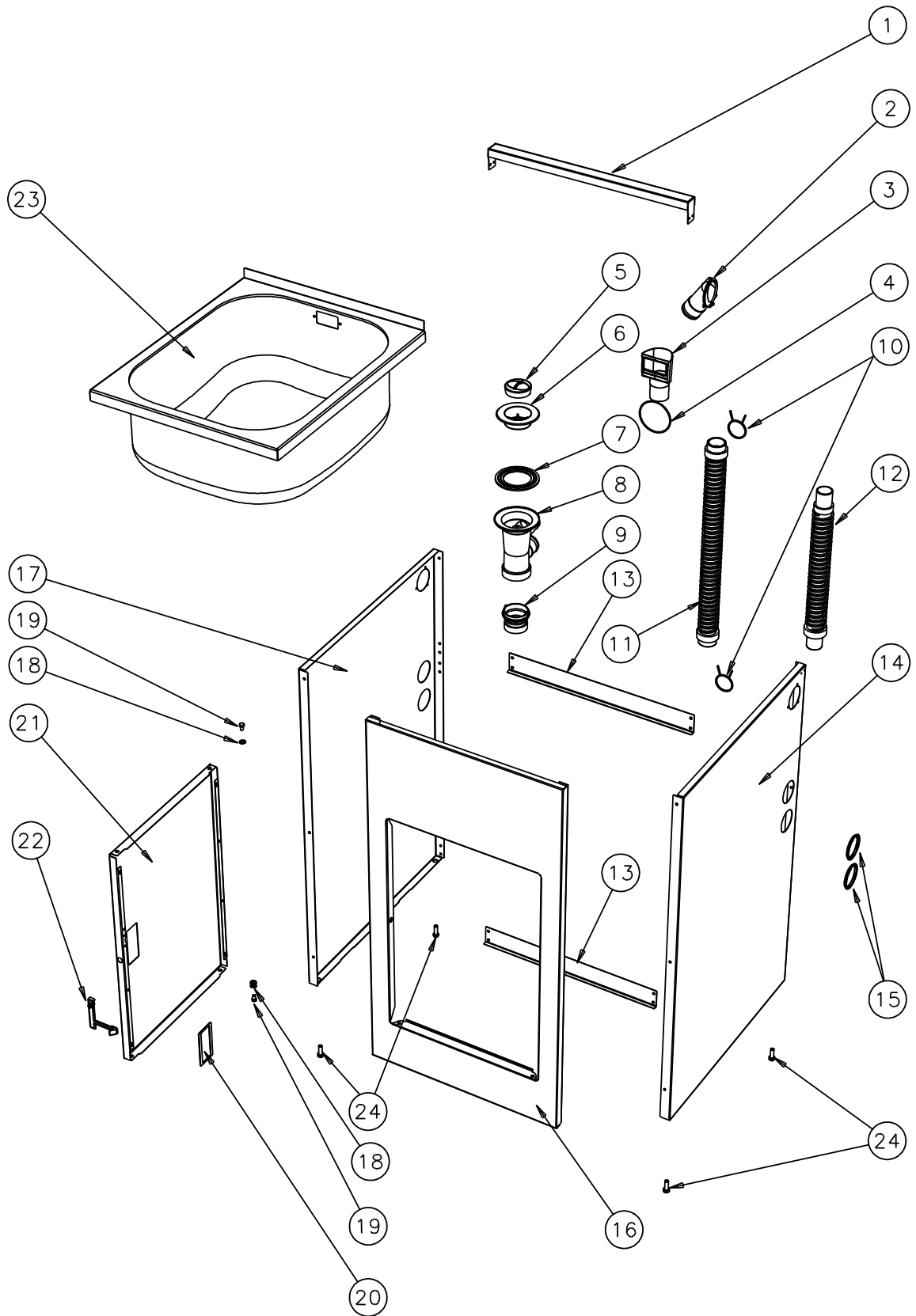
STCN



LAUNDRY TUB STCN

APPROVED
ISSUE: D
ECN 09 040

Page 1 of 3



STCN

ITEM	DESCRIPTION	Part No
1	STCN REAR COVER WHITE	750708WH
2	INLET MOUNT W/M	751068
3	OVERFLOW HOUSING	751069
4	O – RING 40mm ID	750081
5	PLUG WASTE 50mm	750636WH 750636BL
6	GRILL WASTE – 50mm STAINLESS STEEL SCREW M6x25 BUTTON-SKT-SS	750633SS 999140
	GRILL WASTE – 50mm WHITE SCREW M6x25 SS R/CSK. PHIL	750633WH 999125
7	SEAL – WASTE	750634
8	BODY – WASTE – 50mm	750632WH
9	ADAPTOR 50/40mm – WASTE	750638
10	HOSE SPRING	751070
11	FLEXIBLE HOSE W/M – CONNECTOR	USE ITEM 25
12	FLEXIBLE HOSE OVERFLOW	USE ITEM 25
13	STN BACK BRACE WHITE	750614WH
14	STCN – SIDE RIGHT PAINTED WH	
15	GROMMET SIDE PANEL	750640WH
16	STCN – FRONT PAINTED WHITE	
17	STCN – SIDE LEFT PAINTED WH	
18	WASHER HINGE	750084
19	PIN HINGE	750085
20	HANDLE – DOOR	750016WH
21	STN-DOOR – PAINTED WHITE	750616WH
22	LATCH – DOOR	750017
23	TUB STCN MK2 50mm WASTE	
24	HEX SET SCREW M8 x 25 ZINC PL	999100
25	SUB ASSY FLEXI HOSE	750717

**NB CABINET PARTS & TUB NOT AVAILABLE OUTSIDE PRODUCTION
(ITEM 14, 16, 17, 23)**