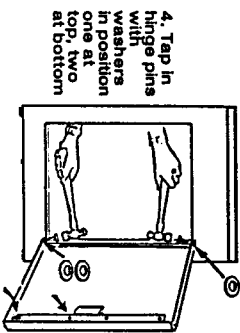
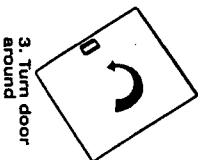
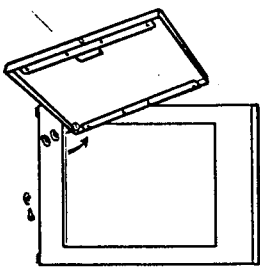
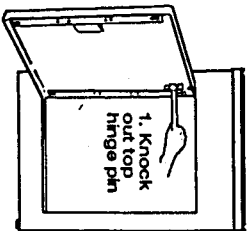
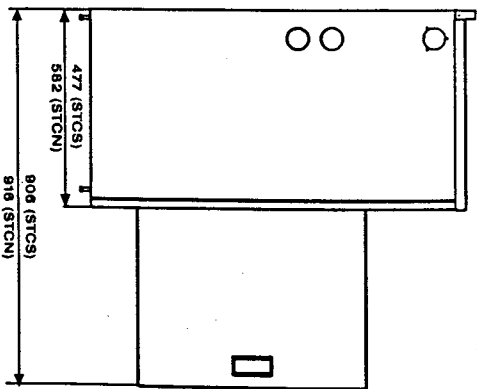
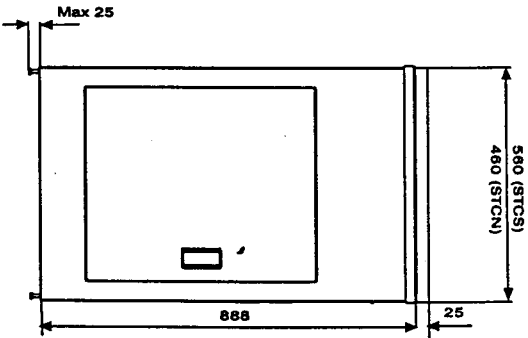


4 C H A N G E D O O R



Robinhood® LAUNDRY TUB STCS



NOTES
House Plumbing supplied by the customer
Washing Machine Drain System supplied with the Laundry Tub

1 P R E - I N S T A L L A T I O N I N S T R U C T I O N

IMPORTANT

Please ensure Households Pipes are thoroughly flushed to remove debris before connecting your SUPERTUB to pipeworks.

REGULATION COMPLIANCE

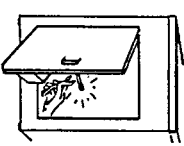
Comply with current Drainage and Plumbing Regulations as required by your local authority. Sanitary plumbing shall only be carried out by a Registered Plumber.

DETERMINE SITE

Determine the most suitable position for the Laundry Tub. It may be used either to the left or right of the Washing Machine. Allow 100mm clearance between the units. Mark the position on the floor as reference.

5 S A F E T Y L A T C H

The Safety Latch comes as a standard fitting in the interests of child protection against dangerous chemicals and cleaning fluids. However, should you not require the latch it can easily be snipped off with sidecutters or similar hand tool.



MANUFACTURED IN NEW ZEALAND BY
Robinson Industries Ltd
P.O. Box 51 201, Pakuranga
Auckland, New Zealand



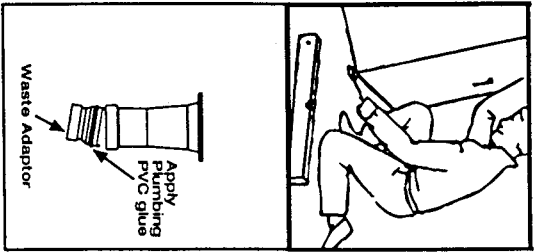
Visit our Website at:



TEL: 64 (9) 274 5615
FAX: 64 (9) 273 9987
ISO9002 Certified

750698 Issue B
19.1.2000

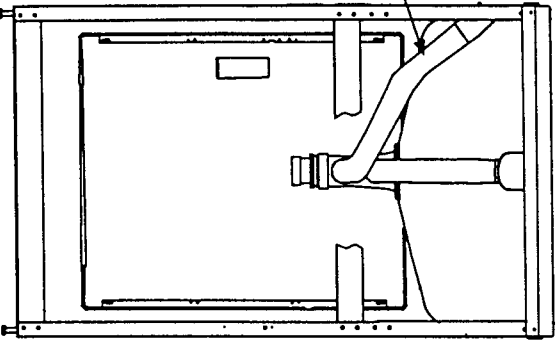
2 SECURING LAUNDRY TUB



A: Adjust the four levelling feet at the bottom of the cabinet to align with Washing Machine height. Tilt Laundry Tub slightly to assist with access. Check top of Laundry Tub with spirit level. Ensure the cabinet does not rock.

B: Position Laundry Tub then cut the house Waste Pipe which should already be installed to the exact height. The final height will depend on the Waste Trap dimensions. Connect Waste Trap to your Laundry Tub. For use in New Zealand a Waste Adaptor (pictured & supplied) must be glued in place.

C: Fasten the cabinet to the wall through the holes in the back flange of the cabinet sides. Alternative fastening can be achieved through the bottom flanges.

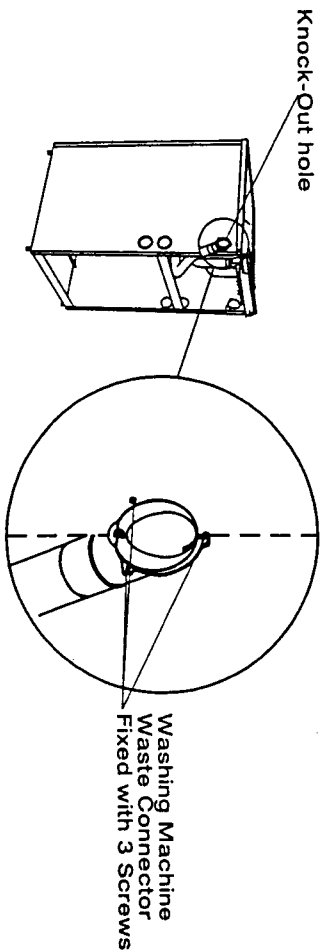


Rear view.

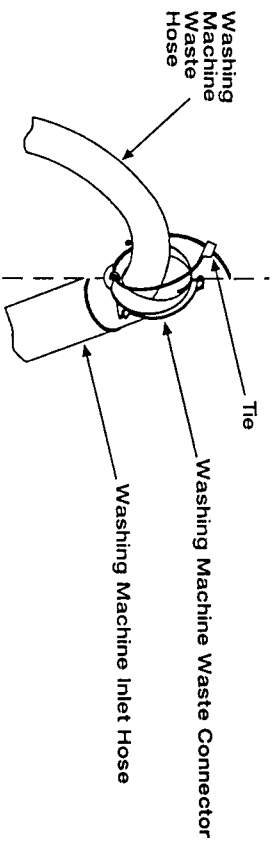
3 CONNECT WASHING MACHINE

The Washing Machine Waste Hose can be connected to either side of the Laundry Tub.

A: Remove Knock-Outs from the side panel closest to Washing Machine with a hammer handle. Place the Washing Machine Inlet Hose from inside the Laundry Tub to the side Knock-Out Hole fastening it from the outside with the 3 screws supplied. (Pictured)



B: To prevent the Washing Machine Waste Hose from coming loose use the provided Tie to fasten the hose firmly to the Washing Machine Waste Connector.



C: On completion of installation check the complete system for water leaks.