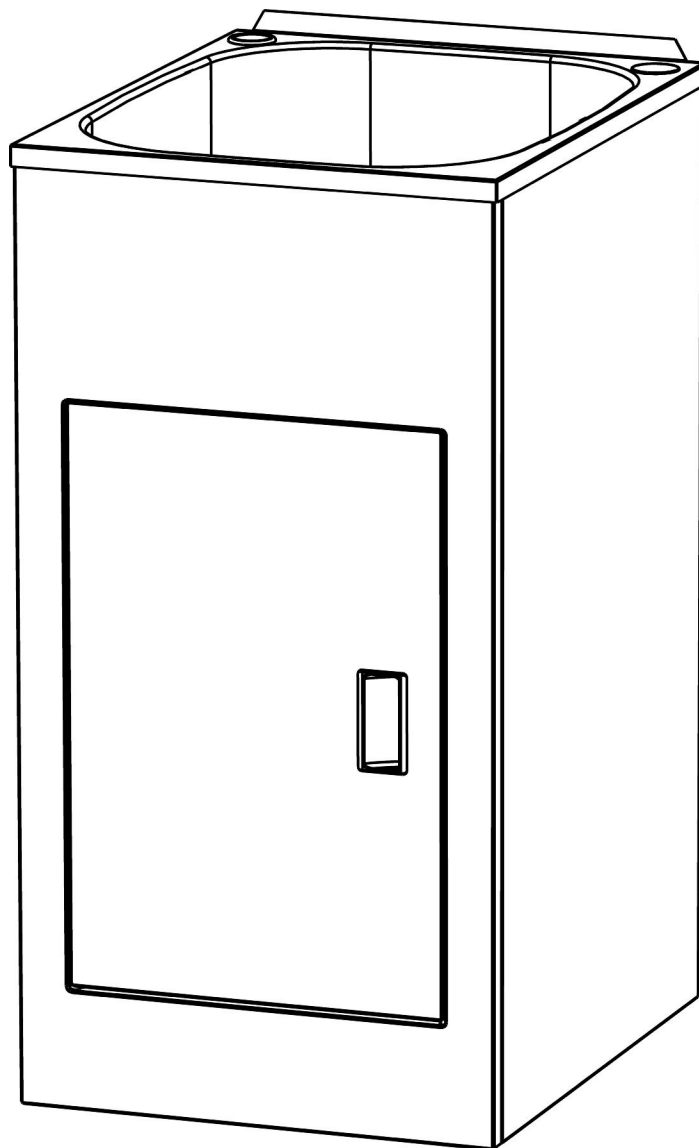


**STCLN & STCLNF**

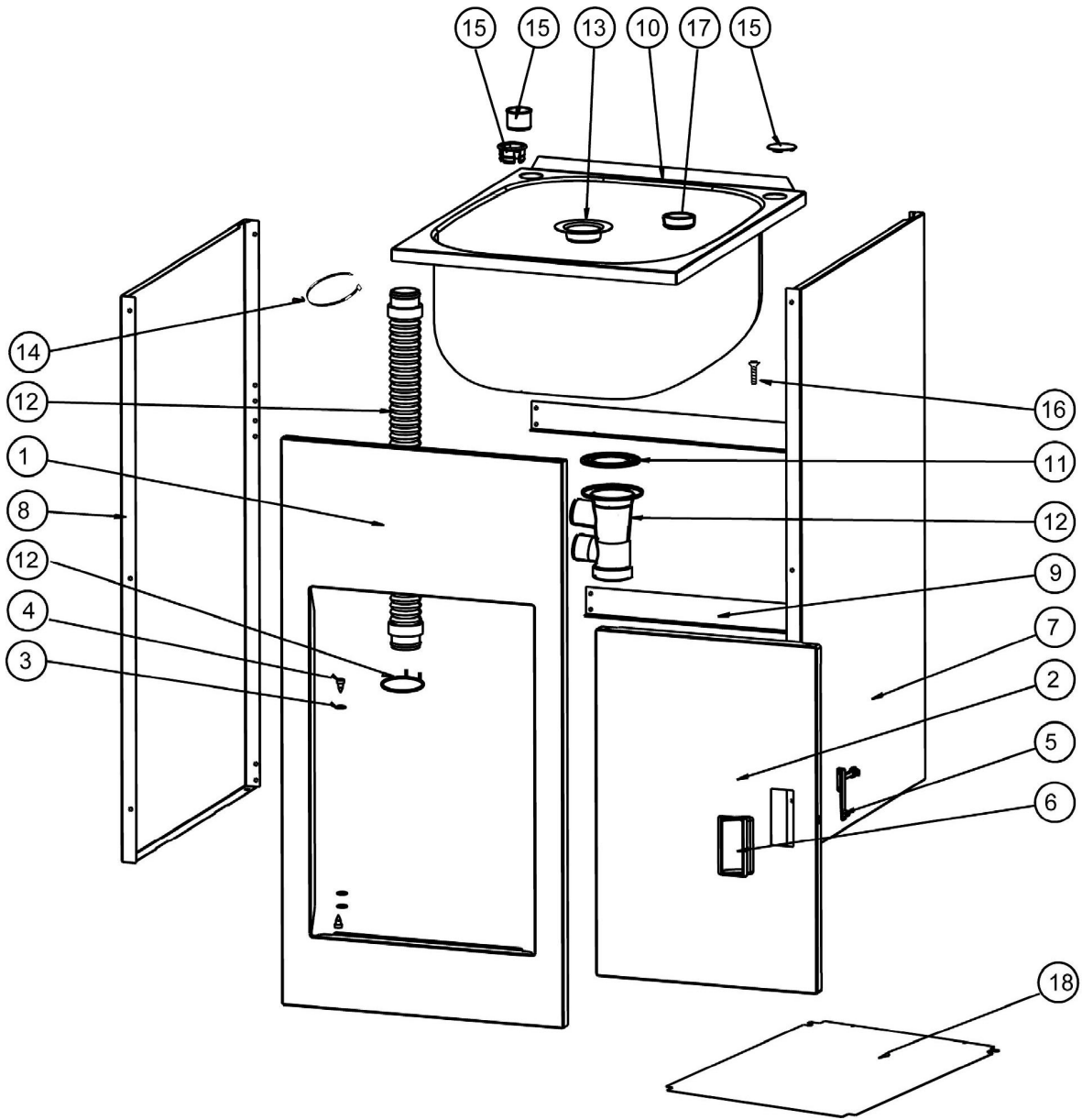


**LAUNDRY TUB  
STCLN & STCLNF**



APPROVED  
ISSUE: D  
ECN 07 033

# STCLN & STCLNF



**STCLN & STCLNF**

ITEM	DESCRIPTION	Part No
1*	ST - FRONT PAINTED WHITE	
2	DOOR - PAINTED WHITE	750616WH
3	WASHER HINGE x 3	750084
4	PIN HINGE x 2	750085
5	LATCH - DOOR	750017
6	HANDLE - DOOR	750016
7*	STCL N- SIDE RIGHT PAINTED WH	
8*	STCL N- SIDE LEFT PAINTED WH	
9	BACK BRACE WHITE x 2	750614WH
10*	45L TUB NARROW	
11	SEAL - WASTE	750634
12	SUB ASSY SINGLE FLEXI HOSE	750746
13	GRILL WASTE - 50mm STAINLESS STEEL SCREW M6x25 BUTTON-SKT-SS	750633SS 999140
14	CABLE TIE	750107
15	RETAINER PLASTIC FAMILY	750779BL
16	M6 BUTTON-SOCKET BOLT	999140
17	PLUG BLACK	750636BL
18*	FLOOR	

\*NB CABINET PARTS & TUB NOT AVAILABLE OUTSIDE PRODUCTION