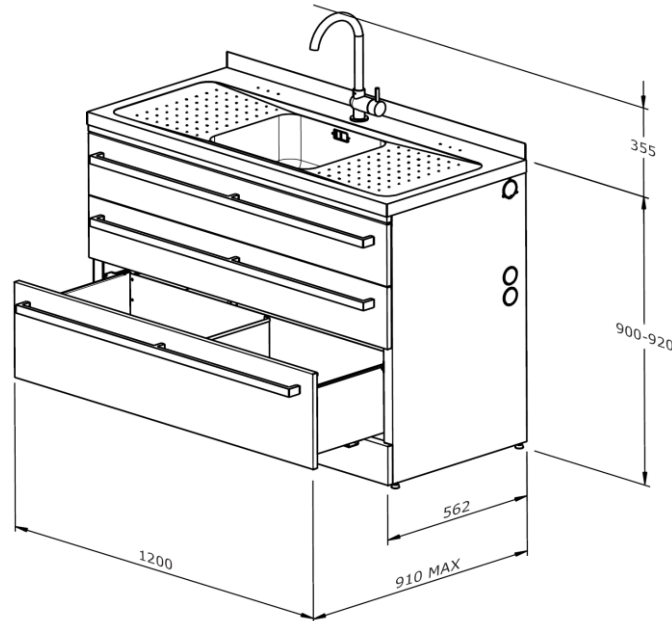


Description: **ROBINHOOD WORKSTATION SUPERTUB**  
 Model Number: **ST9000W/9000WA**



## Typical design



## Features and benefits

- **Huge bench top**  
Bench space to help with wash preparation, scrubbing and draining.
- **Brushed stainless steel handles**  
Brushed stainless steel handles are smart and practical.
- **Three drawer system**  
Three giant drawers with compartments, so you can organise everything from pegs and dusters to gardening gear and sports shoes.
- **S&P trap supplied**  
S&P trap supplied and installed to allow the Robinhood Workstation supertub to either be plumbed through the floor or through the wall.
- **Hidden washing machine taps**  
Hidden washing machine taps giving the Robinhood Workstation supertub a cleaner, more desirable appearance. (Australia only adaptor supplied to convert the unit to 50mm).
- **All pressure**  
The Robinhood Workstation supertub incorporates a unique valve that adapts to different water pressures. It is the ideal choice for low, mains, or even unequal water pressures. (minimum 10psi/ 70kpa)  
\*Tap not suitable for gravity fed systems
- **Single lever mixer**  
Quality mixer tap for fingertip control of water flow and temperature.
- **Adjustable feet**  
Adjustable feet, so that the workstation can be aligned with other appliances.
- **Empty washing machine when tub is full**  
Internal plumbing allows washing machine to empty when the tub is full.
- **Washing machine extension hose**  
Comes with an extra 2000mm washing machine connection hose to make installation easy for any application.
- **Splash back**  
Splash back can be purchased as an accessory to prevent water damage to laundry walls.

## Specifications

### Technical data:

- Cabinet - 0.6mm galvanised sheet metal, powder coated.
- Bowl – 18 Litre water capacity. 0.8mm stainless steel bowl and workbench.
- Mixer - single lever with ceramic disk cartridge.
- Visible plastic parts - ABS UV (ultra violet sun protection).
- Waste plumbing connections - standard 40mm S & P trap supplied and installed. (Australia only adaptor supplied to convert the unit to 50mm).
- Water connections - 400mm long, ½ inch BSP flexible braided hoses, supplied and installed.
- Washing machine connections - 1200mm, ¾ inch BSP, washing machine hose supplied.
- Internal diameter of the washing machine waste hose outlet fitting to the Workstation is 30mm.
- WELS 4 star rated (Australia): 7.5 litres per minute.

**Gross weight:** 67.0 kg

**Volume:** 0.69m<sup>3</sup>

**Carton dimension:** 1220 x 585 x 965mm (w x d x h)

**Product dimension:** 1200 x 562 x 900 - 920mm (w x d x h)

### Performance data:

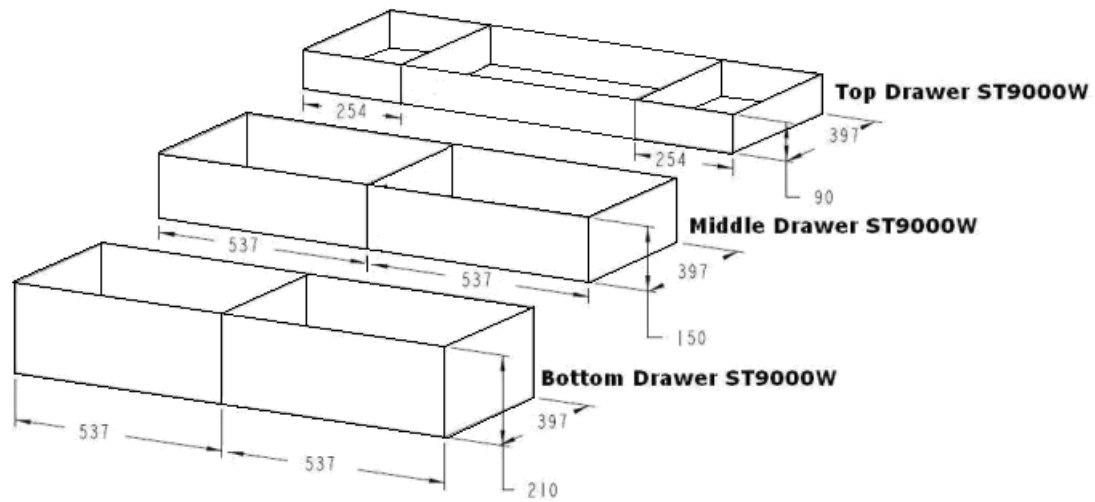
- Designed and manufactured to perform in All Water Pressure situations (minimum 10psi/ 70kpa)
- WELS 4 star rated (Australia): 7.5 litres per minute

Hot Pressure	Cold Pressure	Known As	Suitable
Low	Low	Low	Yes
High	High	Mains	Yes
Low	High	Unequal	Yes
High	Low	Unequal	*

\* Will require non return valve to be swapped from hot side to cold side.

## Drawer and Bowl Dimensions

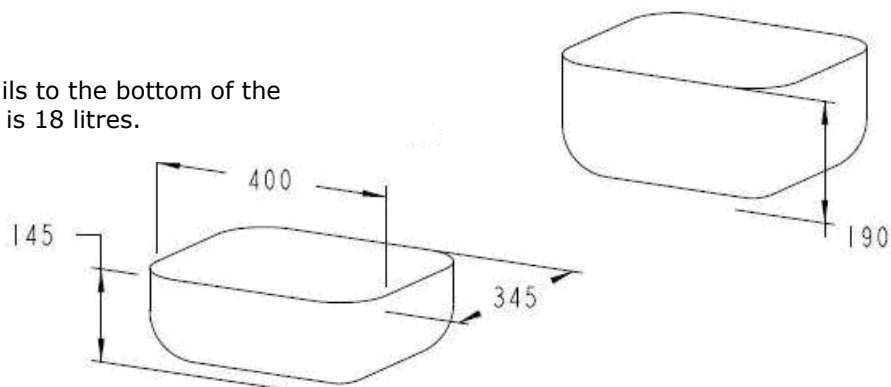
### Drawer Dimensions



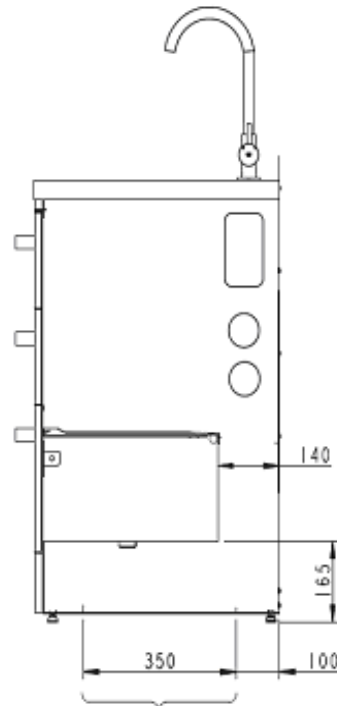
### Bowl Dimensions

Tub details to the top of the tub size is 24 litres.

Tub details to the bottom of the overflow is 18 litres.

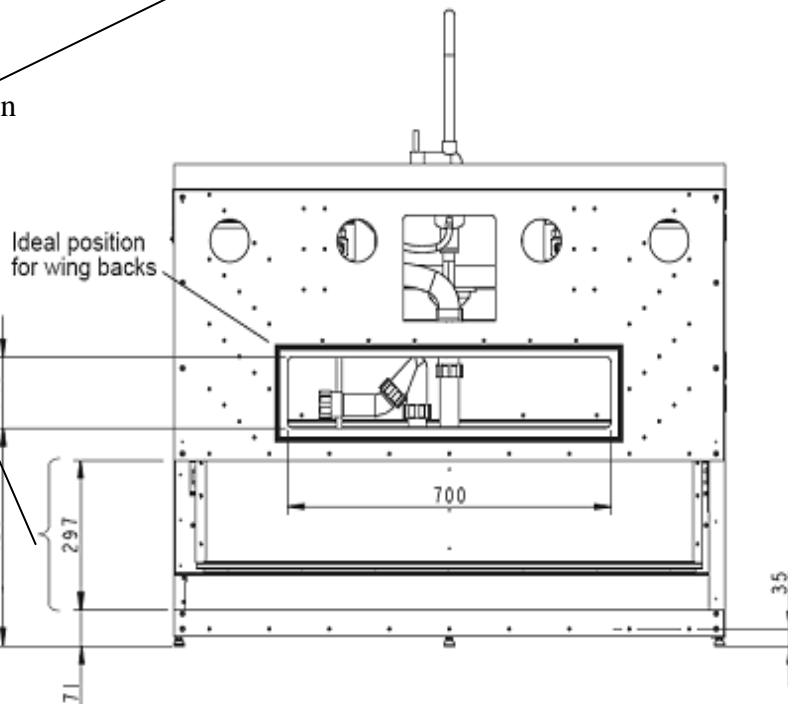


Side View



Back View

Suitable waste location



ECN: 08 133

New Zealand

Robinhood Ltd  
Telephone: 0800 760 667  
Facsimile: 0800 276 246  
Email: enquiries@robinhood.co.nz  
www.robinhood.co.nz

Australia

Robinhood PTY Ltd  
Telephone: 1800 648 556  
Facsimile: 1800 628 577  
Email: enquiries@robinhood.com.au  
www.robinhood.com.au

