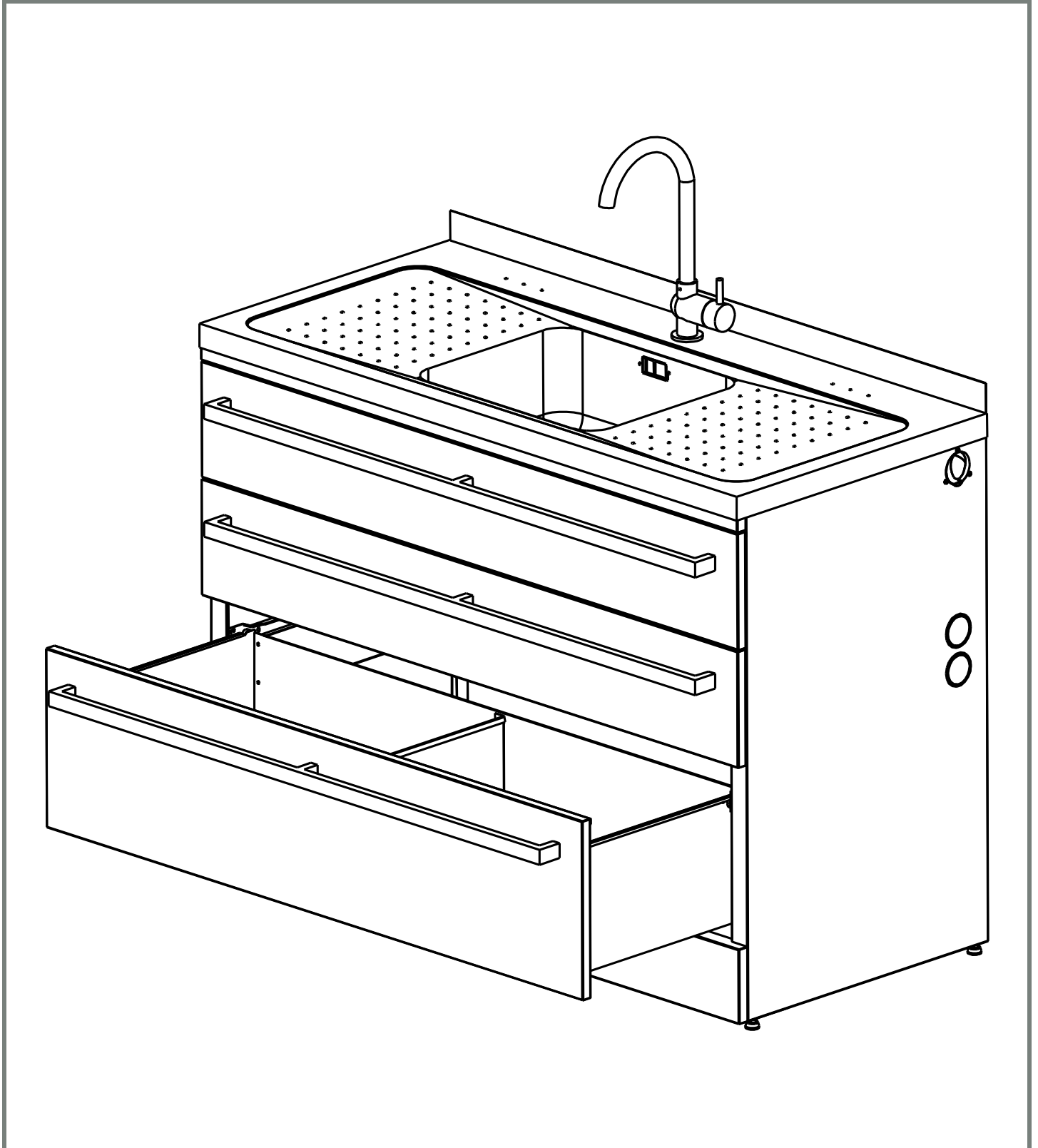
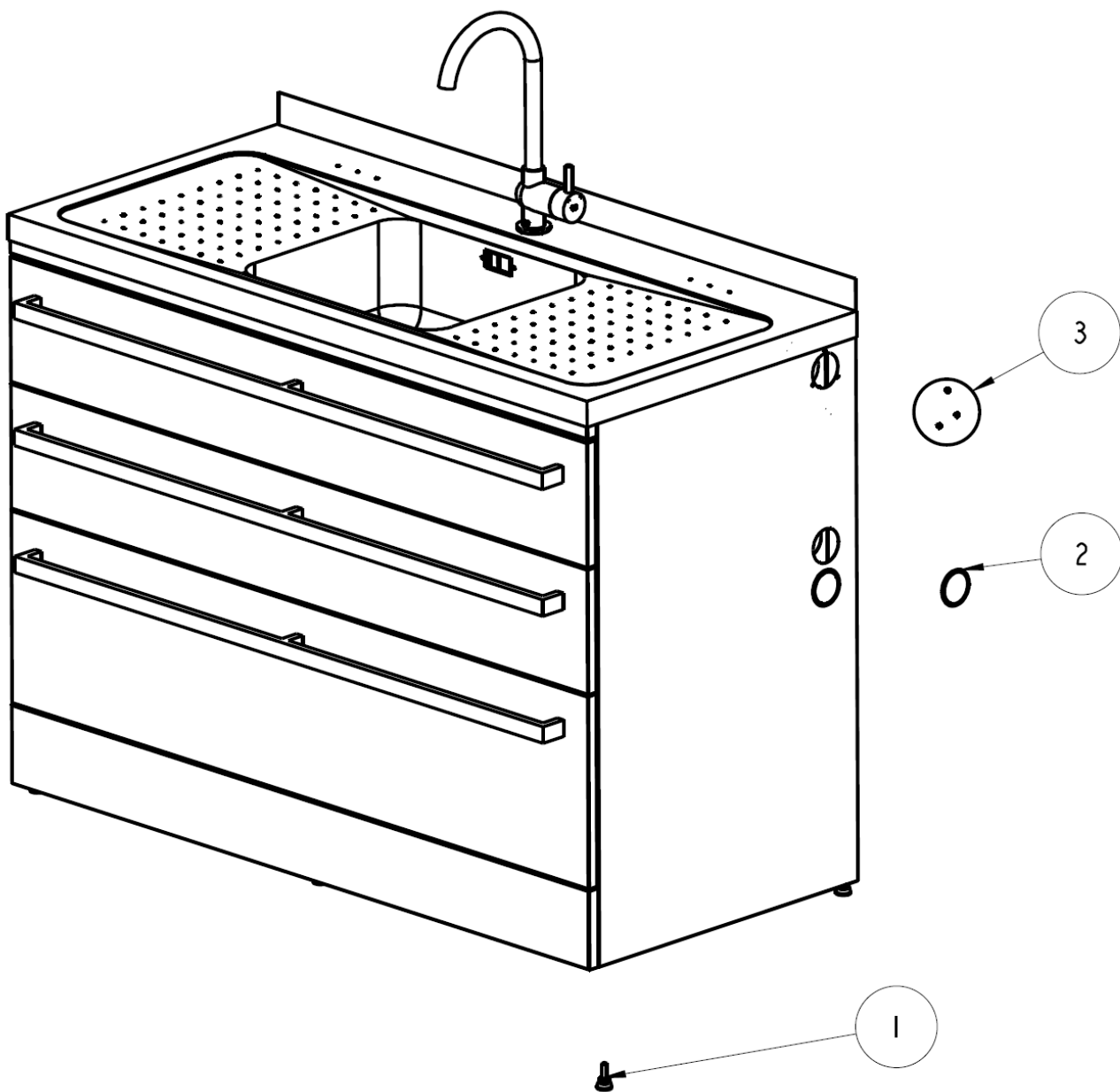


Description: **ROBINHOOD SUPERTUB WORKSTATION**
Model Number: **ST9000W**

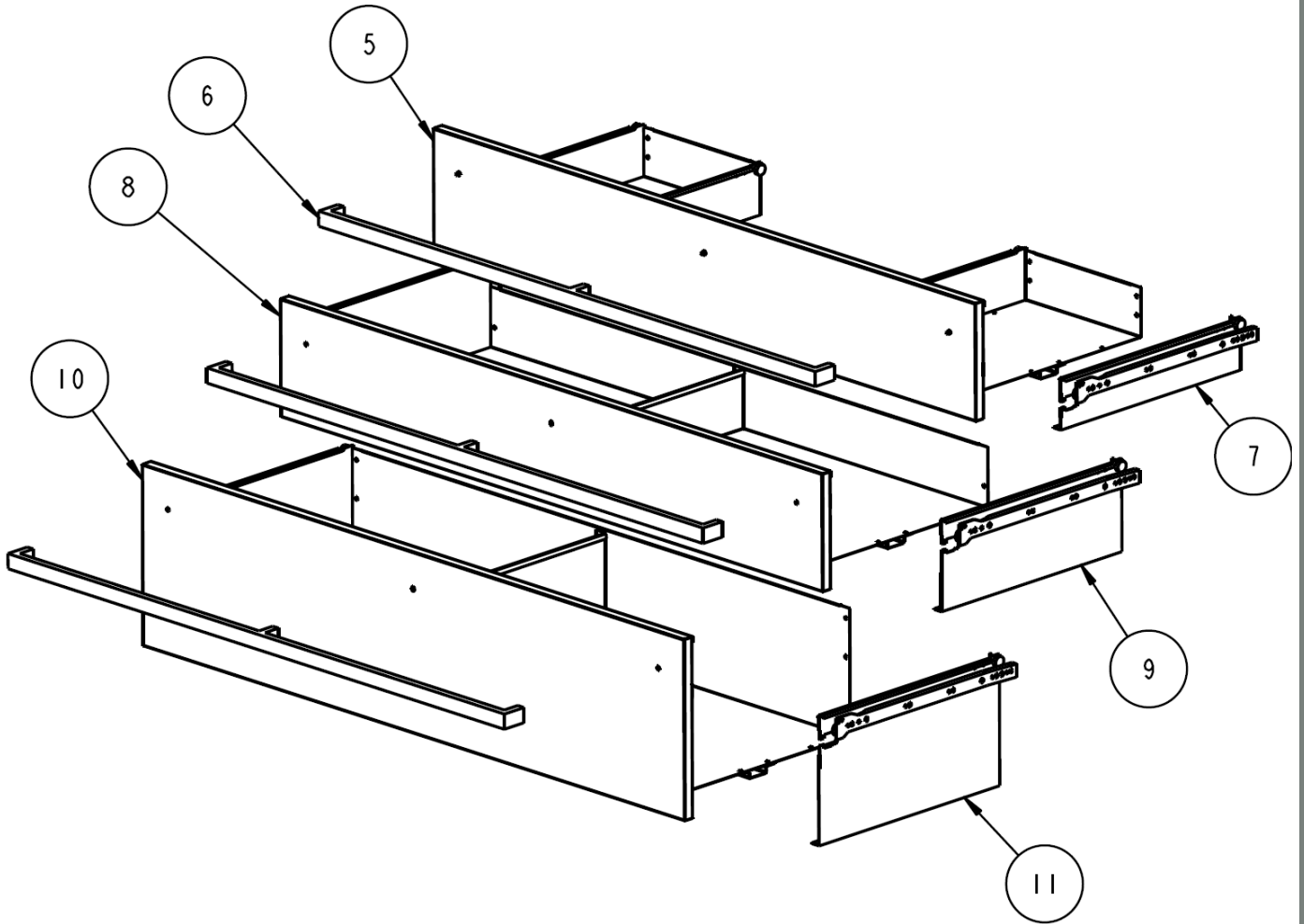


Cabinet



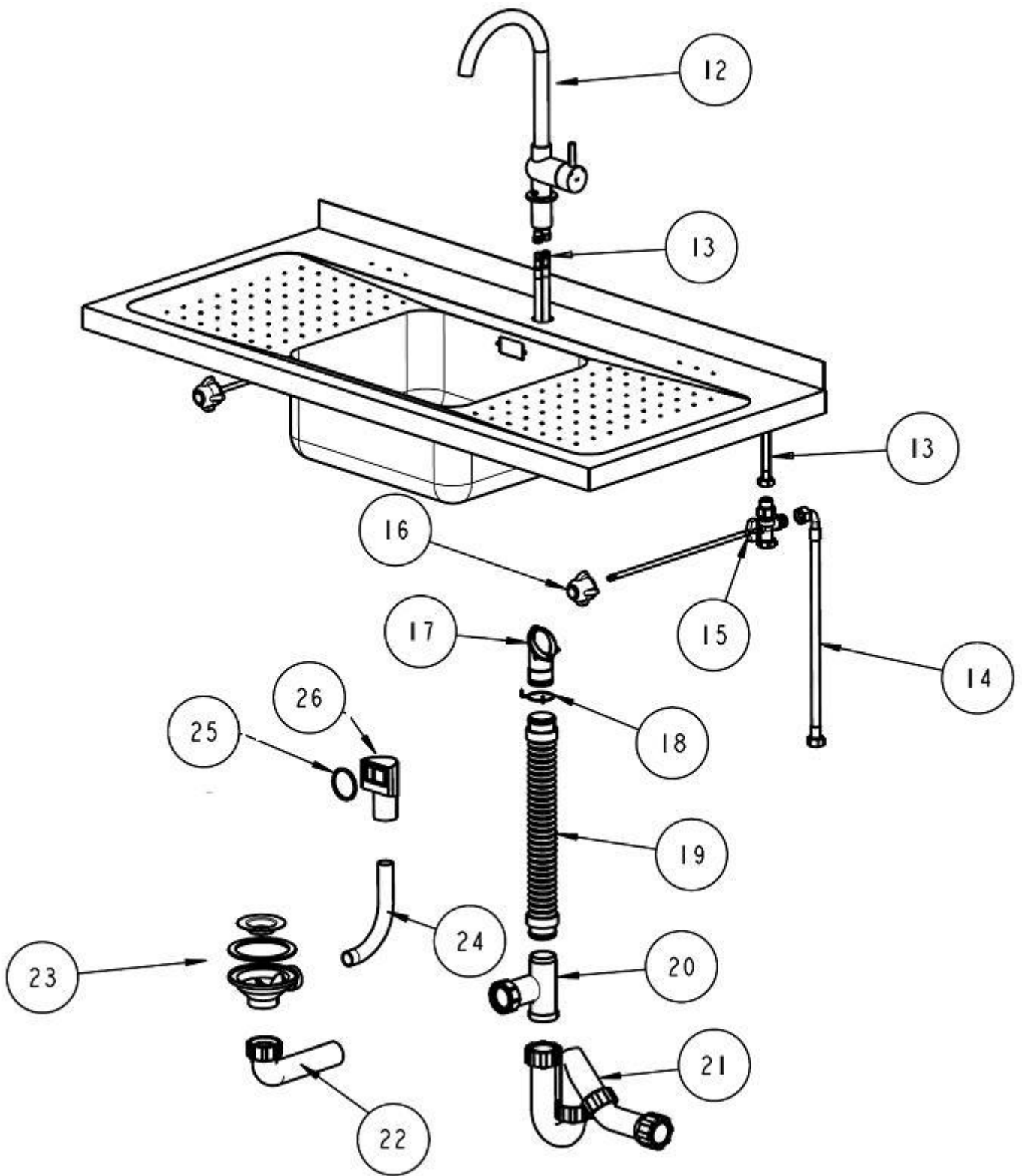
		Part number
Item	Description	
1	Adjustable foot m8 x 25, including locking nut	See item 4
2	Gromet side panel	See item 4
3	Screw 6 x 1/4" (x3)	See item 4
4	Installation kit incl plug (not shown)	751137

Exploded view drawers



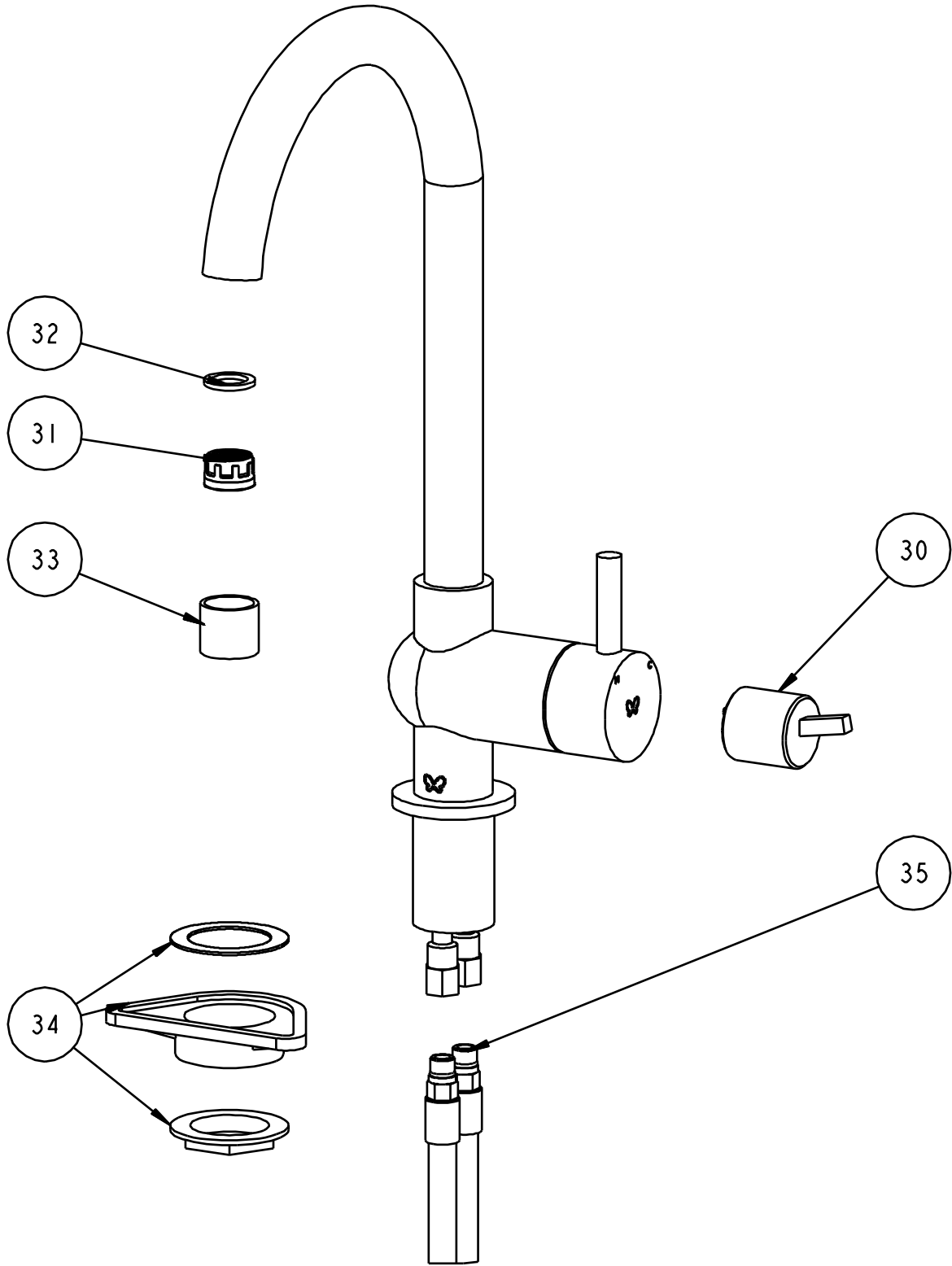
		Part number
Item	Description	
5	Top drawer assembly (including rail and runner x 2)	751122
6	Handle	751113
7	Top drawer rail and runner(rh/lh set)	751123
8	Middle drawer assembly (including rail and runner)	751114
9	Middle drawer rail and runner(rh/lh set)	751115
10	Bottom drawer assembly (including rail and runner)	751105
11	Bottom drawer rail and runner(rh/lh set)	751106

Exploded view plumbing



Item	Description	Part number	
		NZ	AUS
12	Single lever gooseneck tap	751140	
13	Hose flexi tap ½" nut 600mm ST90W	751166	
14	Hose flexi 90 deg ½" nut 750mm	751141	
15	Valve ball 3 way assembly	751132	
16	Knob - red	750909RD	
	Knob - blue	750909BU	
17	Washing machine waste inlet	751068WH	
18	Spring fixing clip	751070	
19	Hose waste WMC	751131	
20	Tee piece	751032	
21	S and P trap	751155	
22	Elbow 90 deg	751033	
23	Reducer waste assembly	751030	751168
24	Overflow pipe	751121	
25	O-Ring 40mm ID	751153	
26	Overflow outlet	751069BL	
27	Washing machine hose 1200mm (not shown)	751144	
28	Plug (not shown)	See item 4	
28b	Rubber waste pipe protector (not shown)	See item 4	

Exploded view tap ware spare parts



		Part number
Item	Description	
30	Ceramic disc cartridge ST90W	751161
31	Aerator cartridge ST90W	751162
32	Aerator 'o' ring ST90W	751163
33	Aerator screw end ST90W	751164
34	Installation kit for ST90W	751165
35	Hose flexi tap ½" nut 600mm ST90W	751166

Notes

ECN: 08 099

New Zealand

Robinhood Ltd
Telephone: 0800 760 667
Facsimile: 0800 276 246
Email: enquiries@robinhood.co.nz
www.robinhood.co.nz

Australia

Robinhood PTY Ltd
Telephone: 0800 760 667
Facsimile: 0800 276 246
Email: enquiries@robinhood.com.au
www.robinhood.com.au

