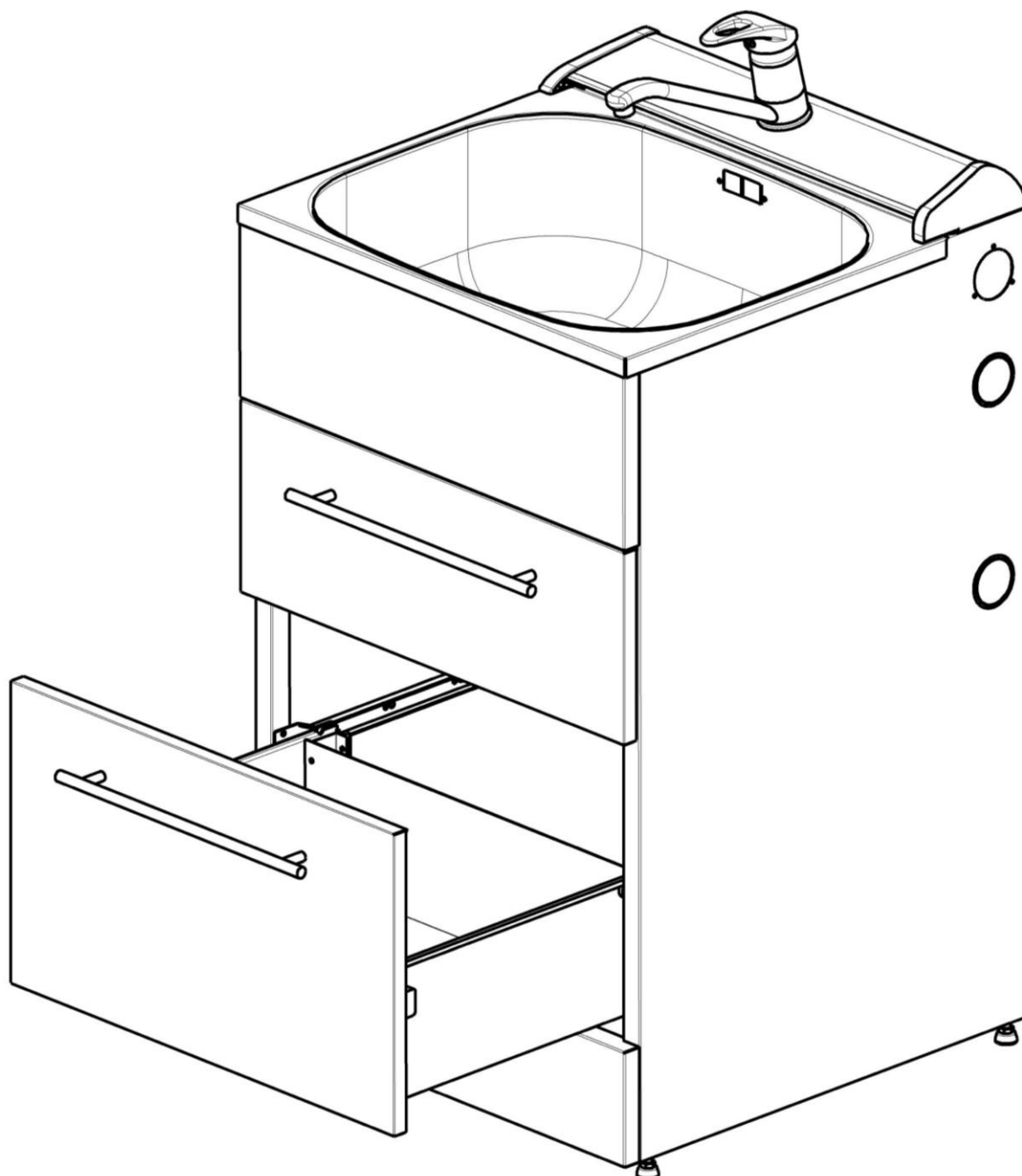
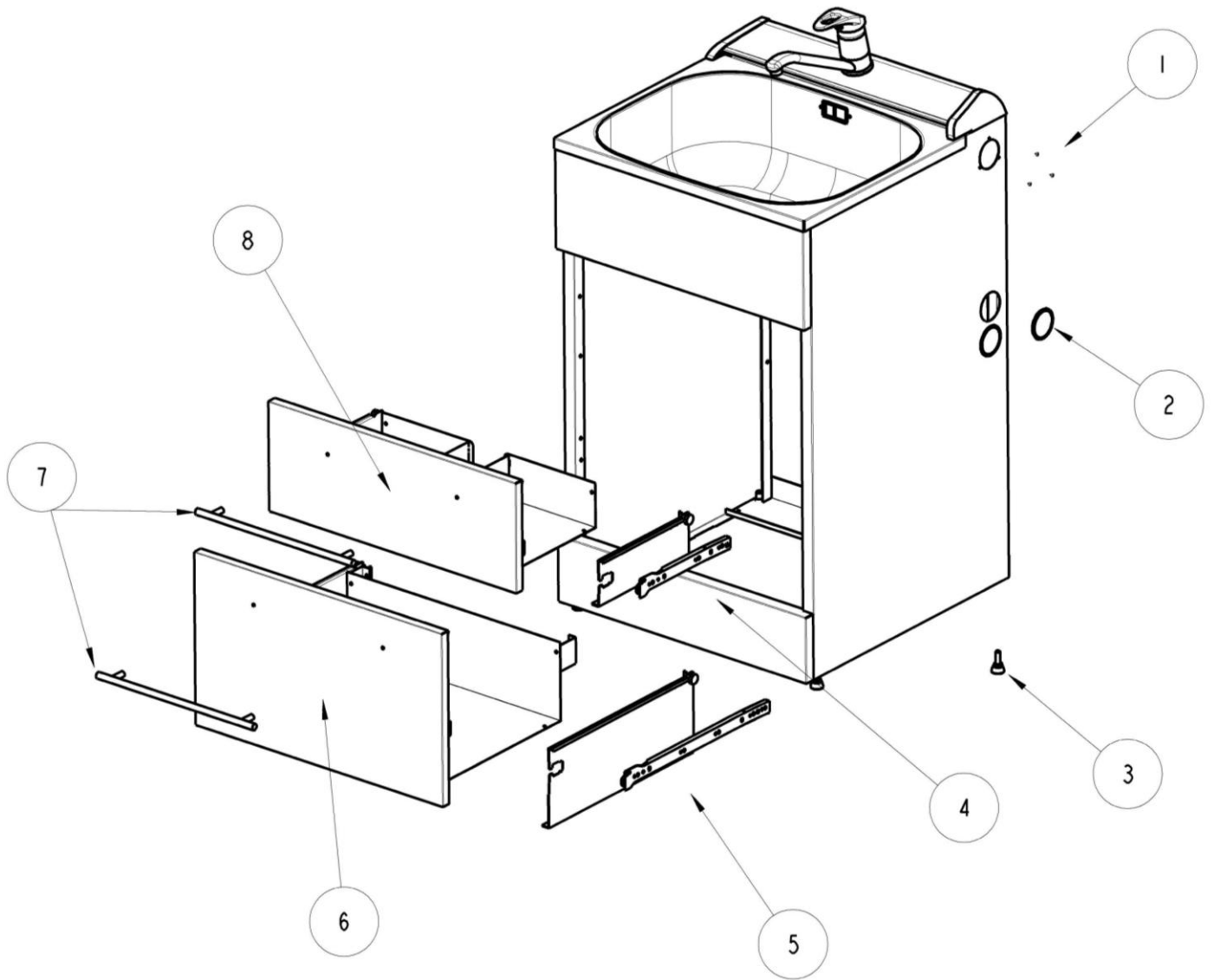


Description: **ROBINHOOD SUPERTUB**
Model Number: **ST7000/7000A/7000SLIM/7000SLIMA**



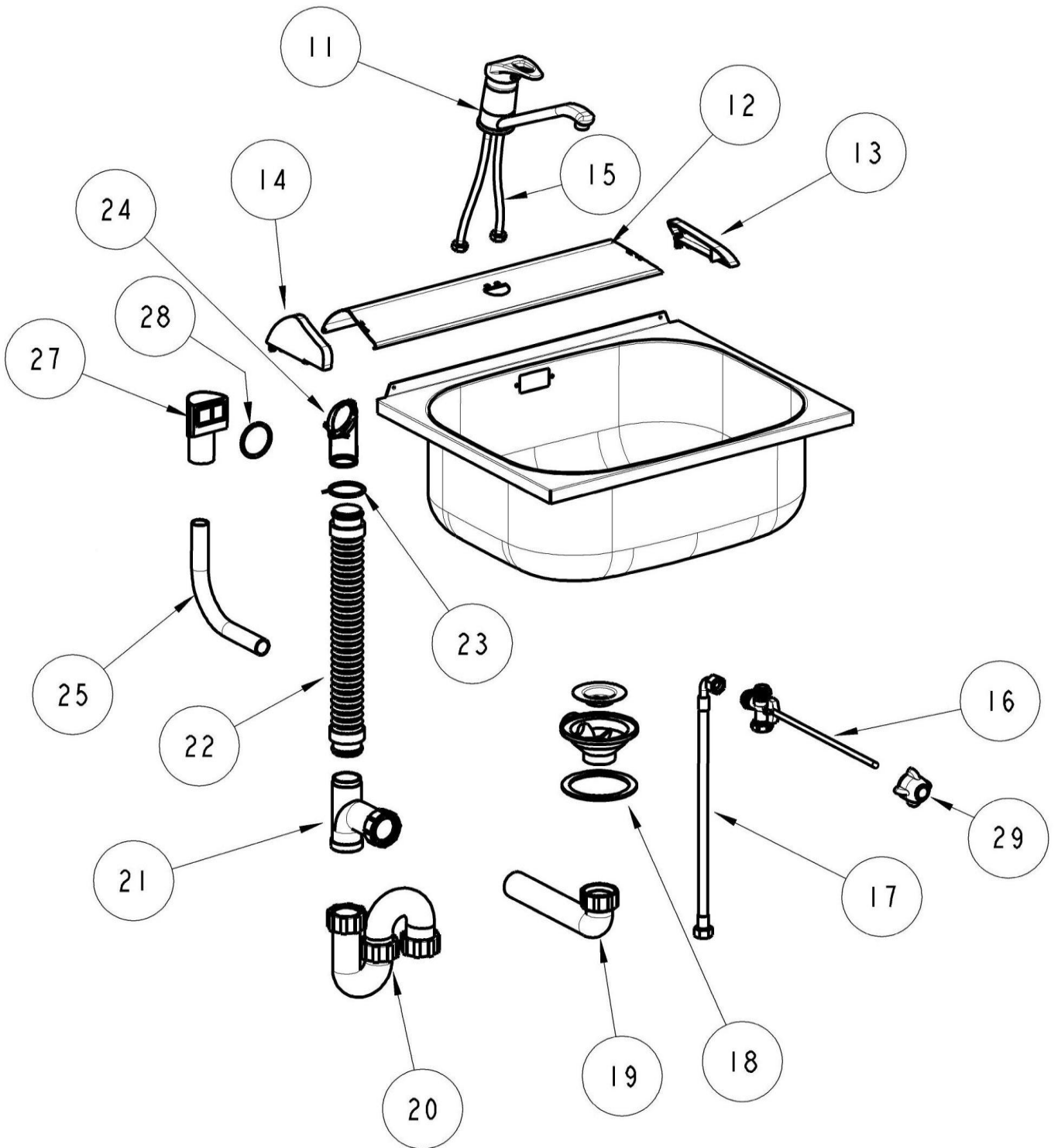
Model pictured: **ST7000**

Exploded view cabinet



| Item | Description | Part number | |
|------|---|---------------|-----------------------|
| | | ST 7000/7000A | ST 7000SLIM/7000SLIMA |
| 1 | Screw 6 x 1/4" (x3) | See item 9 | See item 9 |
| 2 | Gromet side panel | See item 9 | See item 9 |
| 3 | Adjustable foot m8 x 25, incl locking nut | See item 9 | See item 9 |
| 4 | Top draw rail and runner(rh/lh set) | 751011 | 751011 |
| 5 | Btm draw rail and runner(rh/lh set) | 751001 | 751001 |
| 6 | Bottom draw assembly (incl rail and runner) | 751066 | 751062 |
| 7 | Handle | 751048 | 751010 |
| 8 | Top draw assembly (incl rail and runner) | 751067 | 751064 |
| 9 | Installation kit | 751078 | 751082 |

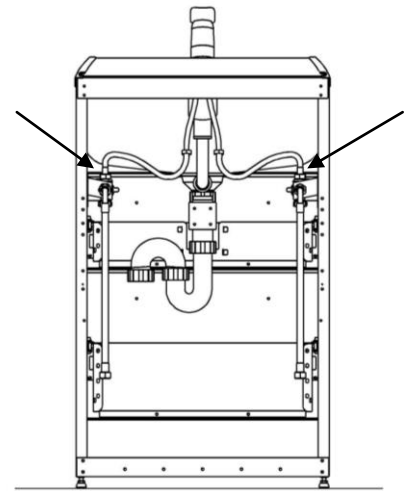
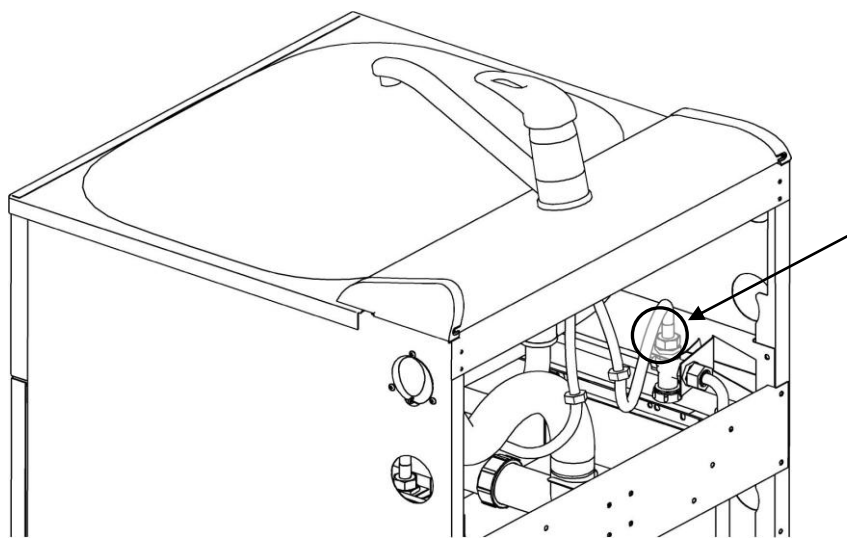
Exploded view plumbing



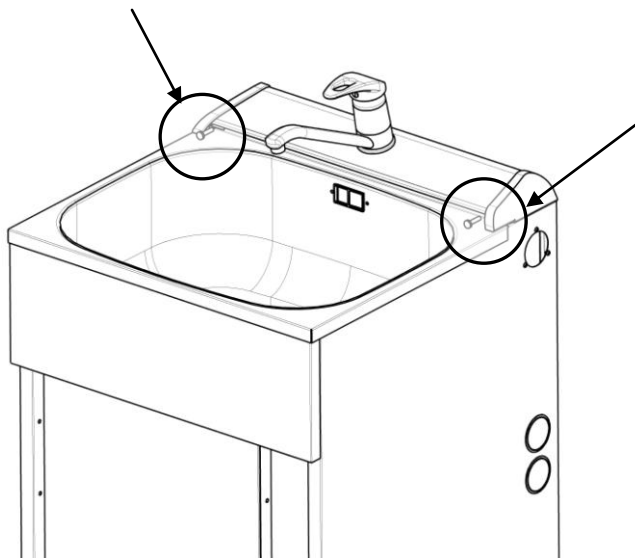
| | | New Zealand Version | | Australian Version | |
|----------|---|---------------------|-------------|--------------------|--------------|
| Item | Description | ST 7000 | ST 7000SLIM | ST 7000A | ST 7000SLIMA |
| 11 | Single lever swivel tap | 751193 | 751193 | 751174 | 751174 |
| 12 | Console st 6/7000 | 751042WH | NA | 751042WH | NA |
| 13 | Plastic side wh (lh/rh set) | 750812WH | NA | 750812WH | NA |
| 14 | | | | | |
| 15 | Hose flexi tap ½" nut | 751060 | 751060 | 751174 | 751174 |
| 16 | Valve ball 3 way assembly | 751132 | 751132 | 751132 | 751132 |
| 16 B | Non return valve | 751012 | 751012 | 751154 | 751154 |
| 17 | Hose flexi 90 deg ½" nut | 751022 | 751022 | 751141 | 751141 |
| 18 | Reducer waste assembly | 751030 | 751030 | 751169 | 751169 |
| 19 | Elbow 90 deg | 751033 | 751033 | 751169 | 751169 |
| 20 | P and S trap | 751155 | 751155 | 751155 | 751155 |
| 21 | Tee piece | 751032 | 751032 | 751169 | 751169 |
| 22 | Hose waste WMC | 751036 | 751035 | 751036 | 751035 |
| 23 | Spring clip | 751070 | 751070 | 751169 | 751169 |
| 24 | Inlet mount | 751068WH | 751068WH | 751068WH | 751068WH |
| 25 | Overflow pipe 400mm | 752215 | 752215 | 752215 | 752215 |
| 26 NS | Overflow rubber (old conduit model) not shown | 751037 | 751037 | NA | NA |
| 27 | Overflow conduit adaptor | 751069BL | 751069BL | 751069BL | 751069BL |
| 28 | O-Ring 40mm ID | 750081 | 750081 | 751153 | 751153 |
| 29 | Knob - red | 750909RD | 750909RD | 750909RD | 750909RD |
| | Knob - blue | 750909BU | 750909BU | 750909BU | 750909BU |
| 30 | Plug (not shown) | See item 18 | See item 18 | See item 18 | See item 18 |

Removal of the console to access the single lever swivel tap

1. Remove draws.
2. Turn water off at the mains and 3-way ball valve.
3. Disconnect hoses from the valve (see diagrams below).



4. Remove two screws from front of console (see diagram below).



5. Slide console forward and lift to remove.
6. To assemble, reverse the above procedure.

ECN: 09 034

New Zealand

Robinhood Ltd
Telephone: 0800 760 667
Facsimile: 0800 276 246
Email: enquiries@robinhood.co.nz
www.robinhood.co.nz

Australia

Robinhood PTY Ltd
Telephone: 0800 760 667
Facsimile: 0800 276 246
Email: enquiries@robinhood.com.au
www.robinhood.com.au

 Robinhood