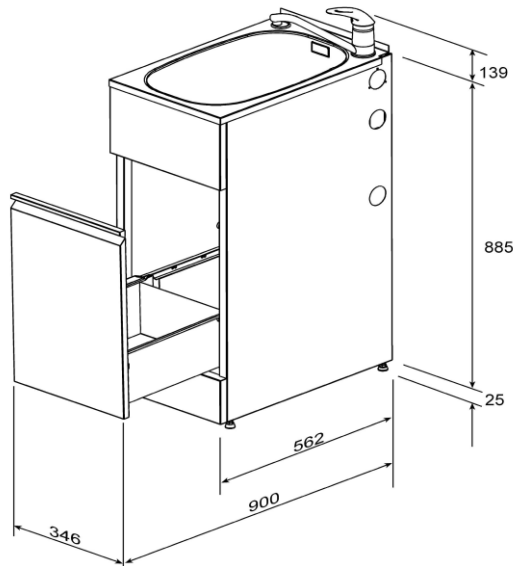


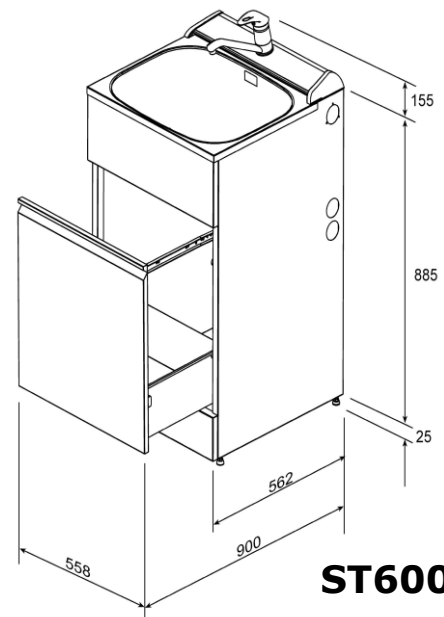
Description: **ROBINHOOD SUPERTUB**
 Model Number: **ST6000 / 6000SLIM**



Typical design



ST6000SLIM



ST6000

Features and benefits

- **Removable console (NB: Not on SLIM model)**
Ease of installation.
- **Large single draw capacity**
For easy organisation and storage in the laundry.
- **S&P trap supplied**
S&P trap supplied and installed to allow the Robinhood Supertub to either be plumbed through the floor or through the wall.
- **Hidden washing machine taps**
Hidden washing machine taps giving the Robinhood Supertub a cleaner, more desirable appearance.
- **All pressure**
The Robinhood Supertub incorporates a unique valve that adapts to different water pressures. It is the ideal choice for low, mains, or even unequal water pressures (minimum 10psi/70kpa).
- **Single lever mixer**
Quality mixer tap for fingertip control of water flow and temperature.
- **Adjustable feet**
Adjustable feet, so that the Robinhood Supertub can be aligned with other appliances.
- **Empty washing machine when tub is full**
Internal plumbing allows washing machine to empty when the tub is full.
- **Side apertures for hoses**
Easy access for washing machine connections and hides unsightly hoses.
- **Modern Styling**
Compliment leading brands of washing machines.
- **Powder coated galvanised steel cabinets**
Corrosion resistant for long life.
- **Seamless stainless steel tub**
Long lasting and easy to clean.

Specification

Technical data:

- Cabinet - 0.6mm galvanised sheet metal, powder coated.
- Bowl – 0.80mm polished stainless steel bowl, Deep Draw Quality 304, ST6000 – 30 Litre water capacity, ST6000SLIM – 24 Litre water capacity.
- Mixer - single lever with ceramic disk cartridge.
- Visible plastic parts - ABS UV (ultra violet sun protection).
- Waste plumbing connections - standard 40mm S & P trap supplied and installed.
- Water connections - 300mm long, ½ inch BSP flexible braided hoses, supplied and installed.
- Internal diameter of washing machine hose outlet fitting to the Robinhood Supertub is 30mm.

Gross weight: ST6000: 27kg
ST 6000SLIM: 21.2kg

Volume: ST6000: 0.374m³
ST 6000SLIM: 0.225m³

Carton dimension: ST6000: 585 x 615 x 1060mm (w x d x h)
ST 6000SLIM: 390 x 615 x 1060mm (w x d x h)

Product dimension: ST6000: 558 x 562 x 910mm (w x d x h)
ST6000SLIM: 346 x 562 x 910mm (w x d x h)

Performance data:

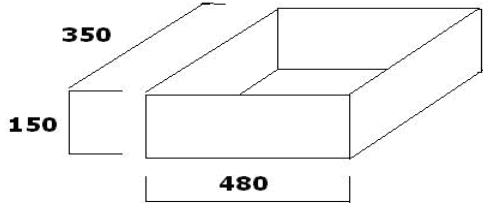
- Designed and manufactured to perform in All Water Pressure situations (minimum 10 psi/ 70kpa).

Hot Pressure	Cold Pressure	Known As	Suitable
Low	Low	Low	Yes
High	High	Mains	Yes
Low	High	Unequal	Yes
High	Low	Unequal	*

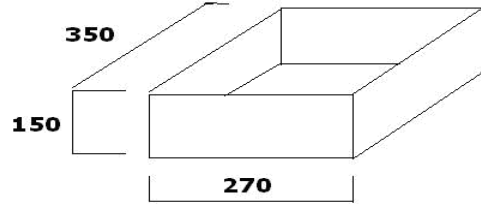
* Will require non return valve to be swapped from hot side to cold side.

Drawer and Bowl Dimensions

ST6000 DRAWER SIZE



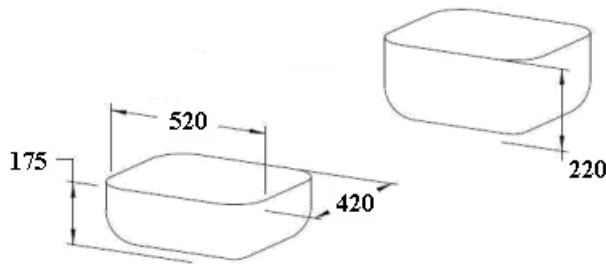
ST6000SLIM DRAWER SIZE



ST6000 BOWL SIZE

The detail to the bottom of the overflow, volume is 30 litres

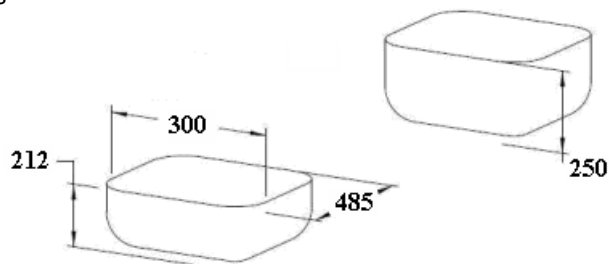
Tub details to the top of the tub size is 38 litres



ST6000SLIM BOWL SIZE

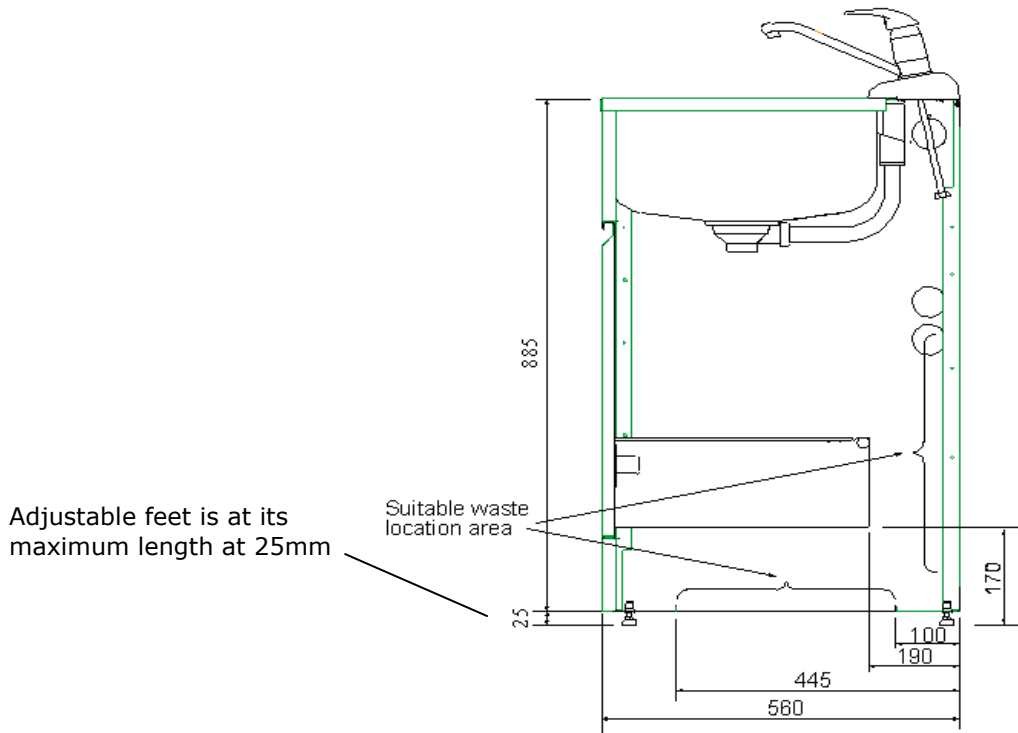
The detail to the bottom of the overflow, volume is 24 litres

Tub details to the top of the tub size is 29 litres

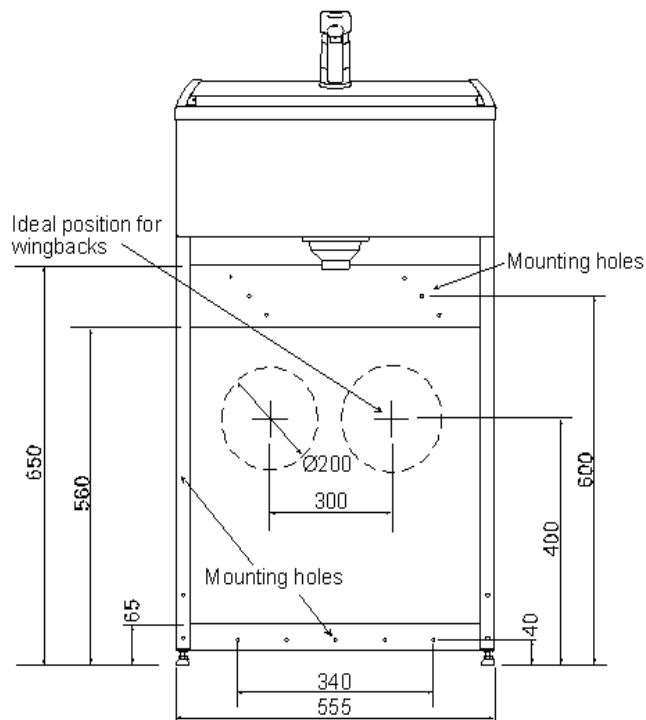


Fit Out Sheet (ST6000)

Side View

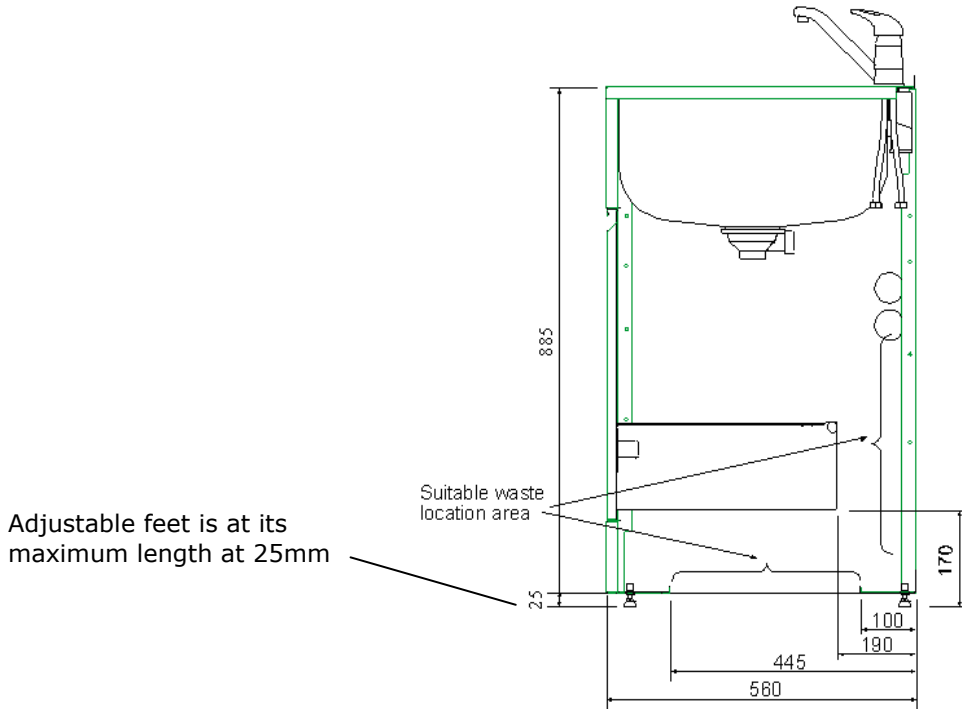


Front View

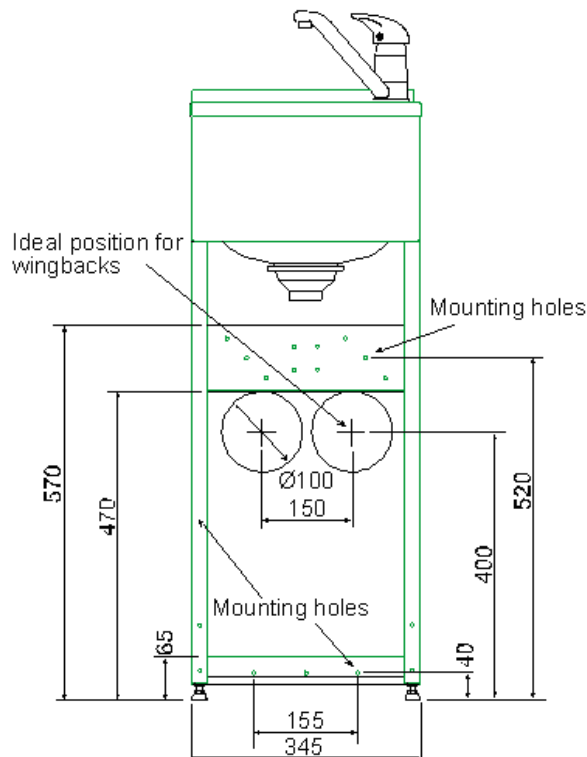


Fit Out Sheet (ST6000SLIM)

Side View



Front View



ECN: 08 099

New Zealand

Robinhood Ltd
 Telephone: 0800 760 667
 Facsimile: 0800 276 246
 Email: enquiries@robinhood.co.nz
www.robinhood.co.nz

Australia

Robinhood PTY Ltd
 Telephone: 1800 648 556
 Facsimile: 1800 628 577
 Email: enquiries@robinhood.com.au
www.robinhood.com.au

