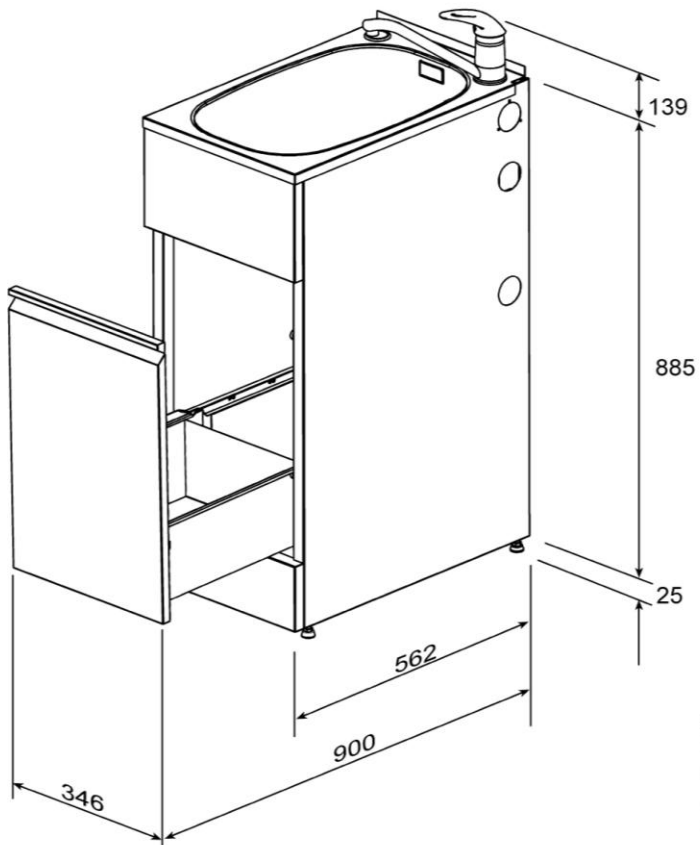
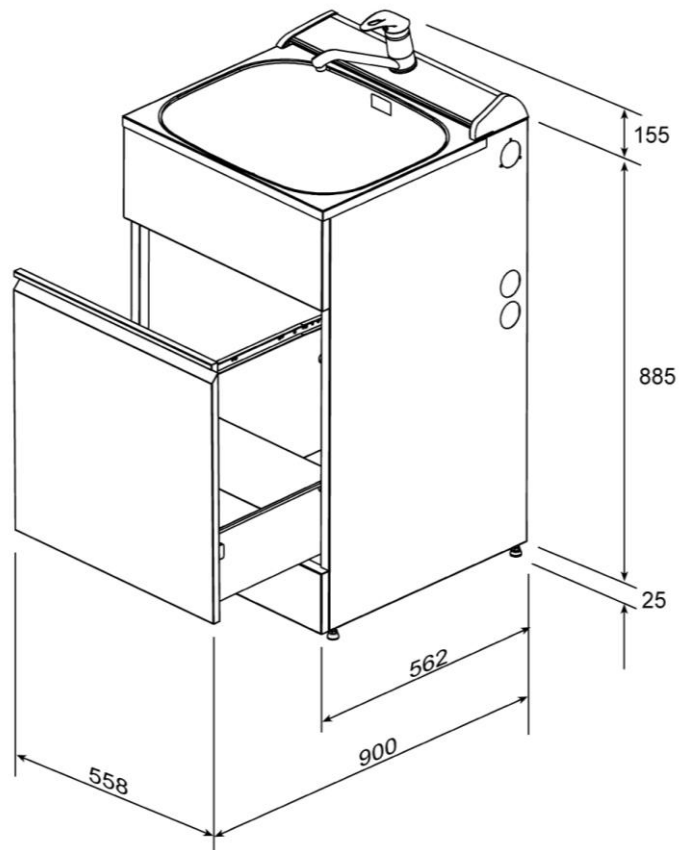


Description: **ROBINHOOD SUPERTUB**
Model Number: **ST6000/ 6000SLIM**

ST6000SLIM



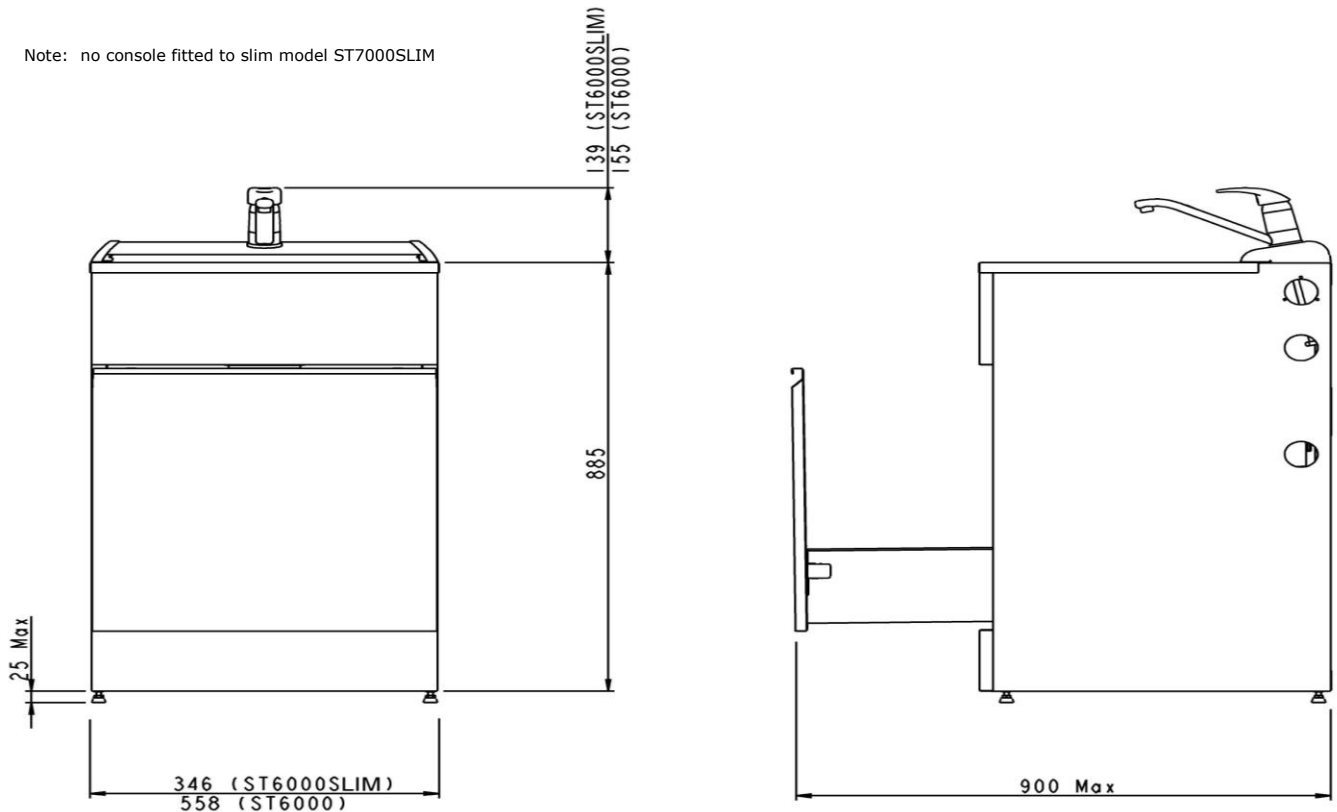
ST6000



All dimensions in mm
Model may vary slightly from images pictured

Overview

Note: no console fitted to slim model ST7000SLIM



Contents of packaging:

- 1 x Robinhood Supertub (incl 2 x flexible hoses, S&P trap, waste system, single lever tap)
- 1 x Installation kit (incl feet, decorative caps, screws)

Pre-installation

Important:

- Please read the entire instructions before installing the laundry tub.
- Ensure the household pipes are thoroughly flushed to remove debris before connecting your laundry tub to the pipe works. To prevent foreign particles damaging the ceramic cartridge an 'in-line' filter is recommended to be installed prior to the mixer.
- Warranty on single lever mixer is void if the in-line filter is not fitted.
- Recommended temperature range 5° to 65°C. Maximum temperature 80°C.
- Maximum pressure 174 PSI (1200 kPa), minimum pressure 10 PSI (70 kPa).

Regulation compliance

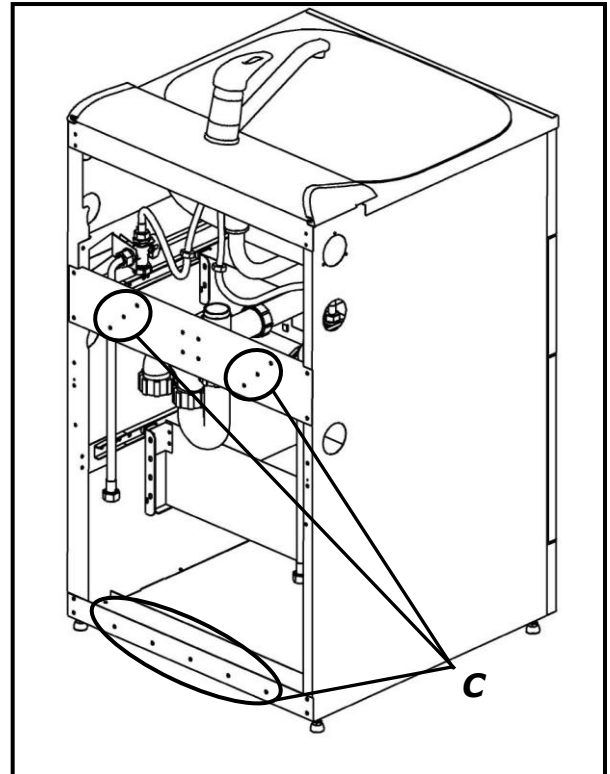
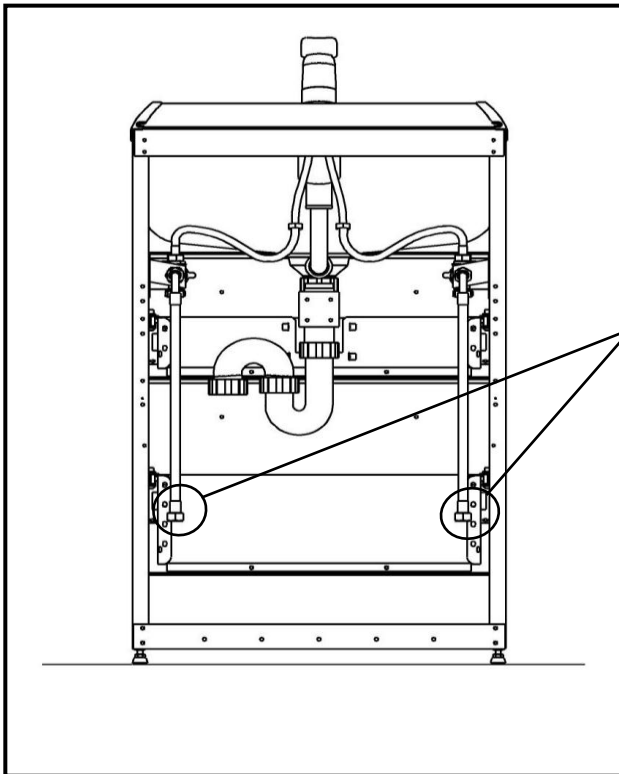
Comply with current Drainage and Plumbing Regulations as required by your local authority. Sanitary plumbing shall only be carried out by a Registered Plumber. All plumbing work must be done in accordance with local and national building and plumbing codes as applicable. All electrical work must be done in accordance with local and national electrical codes as applicable. In some instances this product may need to be earthed.

Determine site

Determine the most suitable position for the laundry tub. It may be used either to the left or right of the washing machine. Allow 10mm clearance between the units. Mark the position on the floor as reference.

Securing the Laundry Tub

1. Fit the four adjustable feet supplied to the bottom of the cabinet and adjust to align with washing machine height. Use the lock nut to secure the feet into position. Tilt the Robinhood Laundry tub slightly to assist with access. Check the top of the Robinhood Laundry Tub with a spirit level to ensure that it is level and check that the cabinet does not 'rock'. Replace the drawers and check that they operate correctly and are flush fitting, if not, re-adjust until they are correct. Remove drawers and continue with the installation.
2. Connect the hot and cold water hoses **B** to the mains.
3. Fasten the cabinet to the wall through either the holes in the top rear flange or through the holes in the bottom rear flange **C**. Alternative fastening can be achieved through holes along the back edge on both sides.

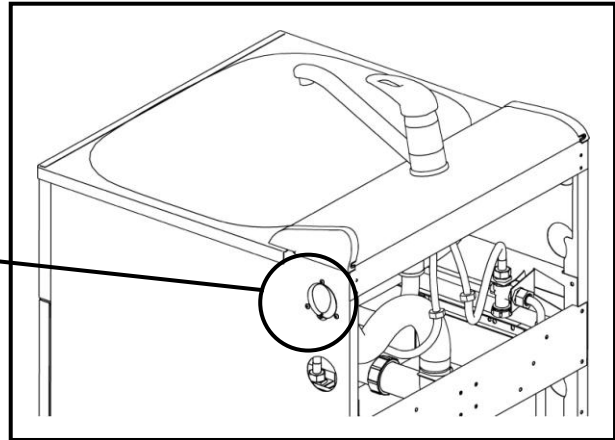
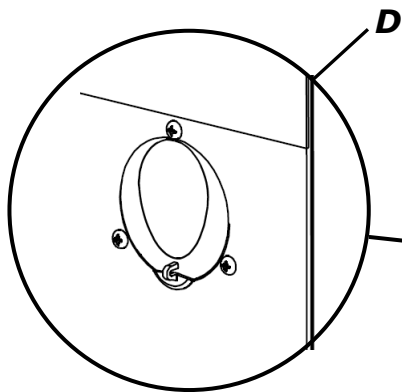


Note: Rear flange has been removed for better visibility

Connecting the washing machine

The washing machine waste hose can be connected to either side of the Robinhood laundry tub.

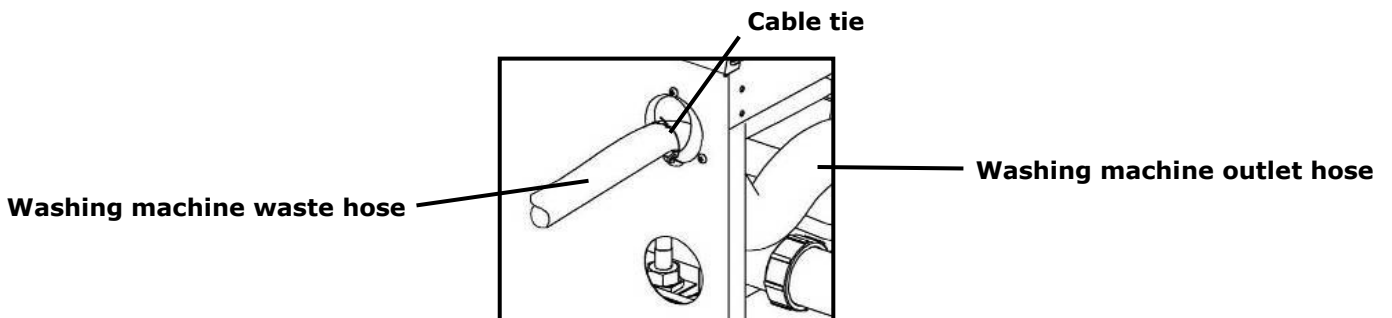
1. Place the washing machine waste connector from inside the Robinhood laundry tub to the required side hole, either left or right, fastening it from the outside with the three screws supplied **D**. Insert the decorative caps supplied from the installation kit into all other side panel holes



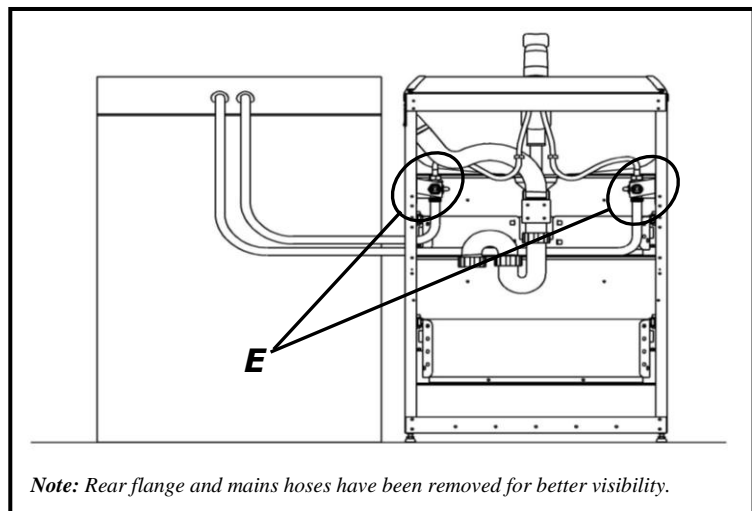
Important:

Ensure the washing machine outlet hose is correctly fitted at both ends and that the spring clips are firmly in place to prevent leaks.

2. To prevent the washing machine waste hose from coming loose use the cable tie provided to fasten the hose firmly to the washing machine waste connector.



3. Knock out the centre of the two decorative caps that you wish to pass the washing machine inlet hoses through. Pass the hoses through the holes and fasten them firmly to isolate valves **E**.



Connecting the washing machine – continued

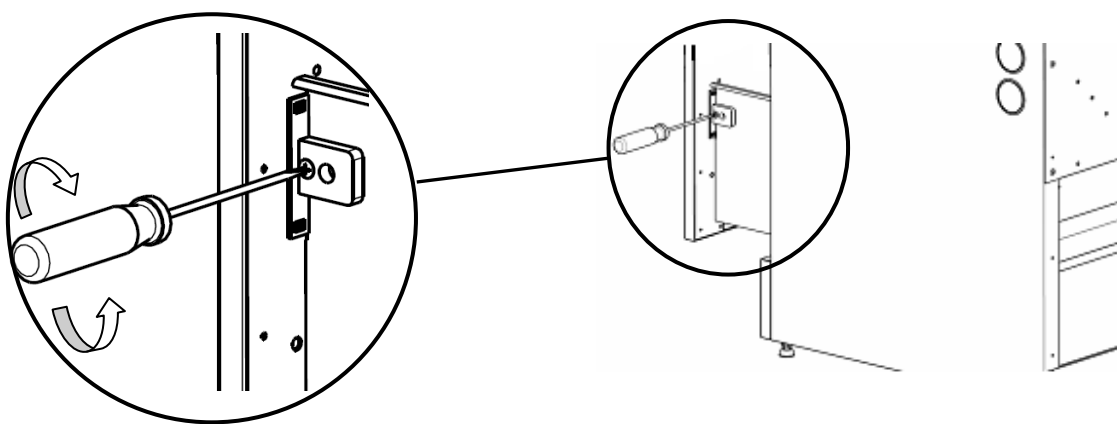
4. On completion of the installation check the complete system for water leaks. Ensure there is adequate fall on the waste hose to prevent moisture being trapped inside the hose.

Notes:

- o Please remember to fill out the details on the warranty certificate (do not post).
- o Remove any plastic coating from the product.

Adjusting the height of the drawers

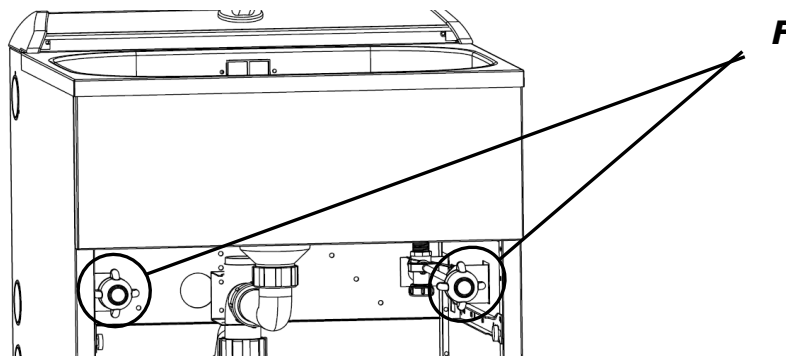
To adjust the height of individual draws ($\pm 2.0\text{mm}$) simply adjust the position of the screw as shown below.



Operating instructions

Operating the washing machine taps

To operate washing machine ensure hidden washing machine taps **F** are turned on (quarter turn anti-clockwise).



Isolating the washing machine

To isolate the washing machine from the mains water supply, simply turn the hidden washing machine taps off (quarter turn clockwise). This will isolate the washing machine from the mains water supply but still allow water to flow through the Robinhood laundry tap.

Operating the single lever tap

The tap is operated in conjunction with the graphics printed on the side of the tap lever.

Cleaning and maintenance

Powder coated surfaces must not be cleaned with abrasive or chemical cleaners. To keep the Robinhood Laundry Tub looking its best, wipe regularly with a damp soft cloth. A mild soap and water solution may be used to remove stubborn dirt. Under no circumstances should harsh detergents (including chemical cleaners) such as bleaches, scourers or any abrasive cleaner be used as these products may irreparably damage the surfaces of the Robinhood Laundry Tub.

NB. Their use will render the warranty void.

Important safety information

- This Laundry Supertub is not intended for use by young children or infirm persons without supervision.
- Young children should be supervised to ensure that they do not play with the Laundry Supertub.
- Maximum draw loading 15kg evenly distributed.

Warranty Certificate (New Zealand)

The benefits conferred hereunder are in addition to all other rights and remedies in respect of the product which the purchaser has by virtue of the Consumer Guarantee Act and similar legislation, and nothing contained in this Certificate shall in any way limit the purchaser's rights under such legislation.

Terms and Conditions

The following conditions apply in respect of the warranty given in this certificate:

5. Robinhood warrants this product against manufacturing defects and faulty materials for a period of:
6. **Rangehood** – 24 months from date of original purchase.
7. **Supertub** – Lifetime on stainless bowl, 5 years on single lever unit, 1 year on other components from date of original purchase.
8. **Ironing Centre** – 12 months from date of original purchase.
9. **Uniduct** – 12 months from date of original purchase. For commercial use 3 months from date of original purchase.
10. This warranty is limited to the repair or replacement free of charge within the warranty period of any component part which Robinhood at its discretion determines to be faulty. Such warranty is subject to terms and conditions set out below.
11. The warranty applies within New Zealand.
12. The customer must produce the original invoice or other purchase documentation as proof of the purchase date.
13. To abide by the guarantee please complete the details below and keep it with your purchase invoices.
14. In the event that service is required, contact the source from whom the product was purchased. It will be the responsibility of that sales agent to direct the purchaser to an authorised service centre or replace the defective parts. All costs of labour performed outside an authorised Service Centre will not be the responsibility of Robinhood. Alternatively contact Robinhood.

Warranty exclusions

1. The warranty does not apply for the following:
 - If defect is caused by misuse, wear and tear, dirt, fire or accidental damage.
 - If the product has been repaired or serviced by an unauthorised person.
 - If installed contrary to Robinhood instructions.
 - Products purchased overseas or not designed for use in New Zealand.
 - Normal user adjustments or customer instruction on the product's operation.
 - Abnormal product performance as a result of incorrect installation or deviation from specified instructions.
 - All costs incurred on installation or removal.
 - If the product is used outdoors.
2. A charge shall be made if the service person finds the product is functioning correctly.
3. Paint finishes and the colours in plastics are fully covered by this warranty for 12 months from date of purchase.

Should service be required please contact the store where you purchased your Robinhood product. If you require any further advice or information on Robinhood product feel free to contact:

Robinhood

Free Phone: 0800 760 667
Free Fax: 0800 276 246
Email: enquiries@robinhood.co.nz
Website: www.robinhood.co.nz

Name of purchaser			
Address			
Date of purchase	Model number	Serial No/Date stamp	
Name of supplier			
Address			
Invoice number			

Complete these details and keep it with your purchase invoice.

DO NOT POST

Warranty Certificate (Australia)

The benefits conferred hereunder are in addition to all other rights and remedies in respect of the product which the purchaser has by virtue of the Trade Practices Act 1974 and similar State and Territory legislation and nothing contained in this Certificate shall in any way limit the purchaser's rights under such legislation.

Terms and Conditions

The following conditions apply in respect of the warranty given in this certificate:

1. Robinhood warrants this product against manufacturing defects and faulty materials for a period of:
2. **Rangehood** – 24 months from date of original purchase.
3. **Supertub** – Lifetime on stainless bowl, 5 years on single lever unit, 1 year on other components from date of original purchase.
4. **Ironing Centre** – 12 months from date of original purchase.
5. **Uniduct** – 12 months from date of original purchase. For commercial use 3 months from date of original purchase.
6. This warranty is limited to the repair or replacement free of charge within the warranty period of any component part which Robinhood at its discretion determines to be faulty. Such warranty is subject to terms and conditions set out below.
7. The warranty applies within the Commonwealth of Australia.
8. The customer must produce the original invoice or other purchase documentation as proof of the purchase date.
9. To abide by the guarantee please complete the details below and keep it with your purchase invoices.
10. In the event that service is required, contact the source from whom the product was purchased. It will be the responsibility of that sales agent to direct the purchaser to an authorised service centre or replace the defective parts. All costs of labour performed outside an authorised Service Centre will not be the responsibility of Robinhood. Alternatively contact Robinhood or your nearest Service Agent as listed below.

Warranty exclusions

1. The warranty does not apply for the following:
 - If defect is caused by misuse, wear and tear, dirt, fire or accidental damage.
 - If the product has been repaired or serviced by an unauthorised person.
 - If installed contrary to Robinhood instructions.
 - Products purchased overseas or not designed for use in New Zealand.
 - Normal user adjustments or customer instruction on the product's operation.
 - Abnormal product performance as a result of incorrect installation or deviation from specified instructions.
 - All costs incurred on installation or removal.
 - If the product is used outdoors.
2. For warranty service outside of Capital City metropolitan area or 30 km from nearest authorised service agent the purchaser shall be liable for travelling expenses and cost of transport of the product or parts to and from the Service Agent
3. Paint finishes and the colours in plastics are fully covered by this warranty for 12 months from date of purchase.
4. A charge shall be made if the service person finds the product is functioning correctly.

Should service be required please contact the store where you purchased your Robinhood product. If you require any further advice or information on Robinhood product feel free to contact:

Robinhood

Free Phone: 1800 648 556

Free Fax: 1800 628 577

Email: enquiries@robinhood.com.au

Website: www.robinhood.com.au

Area	Service agents	Contact details
Victoria	J.A. Appliances	Tel: (03) 8371 9100 Fax: (03) 9355 8644 Email: jaappliances@statewideservices.com.au
New South Wales (Sydney, North Coast)	All General White Goods Services	Tel: (02) 8788 8666 Fax: (02) 9756 1091 Email: service@agw.com.au
New South Wales (Country, Wagga Wagga)	K J Wardens	Tel: (02) 6922 8600 Fax: (02)6922 8611
ACT	K J Wardens	Tel: (02) 6280 5736 Fax: (02) 6280 5376
Tasmania	BSH Electrical Pty Ltd	Tel: (03) 6231 0255 Fax: (03) 6334 1044
South Australia	Ivesons Electrical	Tel: (08) 8297 2033 Fax: (08) 8297 7881
Western Australia	J.H. Wilberforce	Tel: (08) 9340 6222 Fax: (08) 9340 6262
Queensland	Terry Hayes Agencies	Tel: 1800 6485561 Fax: (07) 3262 1217 Email: info@terryhayesagencies.com

Name of purchaser			
Address			
Date of purchase	Model number	Serial No/Date stamp	
Name of supplier			
Address			
Invoice number			

Complete these details and keep it with your purchase invoice.

DO NOT POST

ECN: 08 151

New Zealand

Robinhood Ltd

Telephone: 0800 760 667

Facsimile: 0800 276 246

Email: enquiries@robinhood.co.nz

www.robinhood.co.nz

Australia

Robinhood PTY Ltd

Telephone: 1800 648 556

Facsimile: 1800 628 577

Email: enquiries@robinhood.com.au

www.robinhood.com.au

