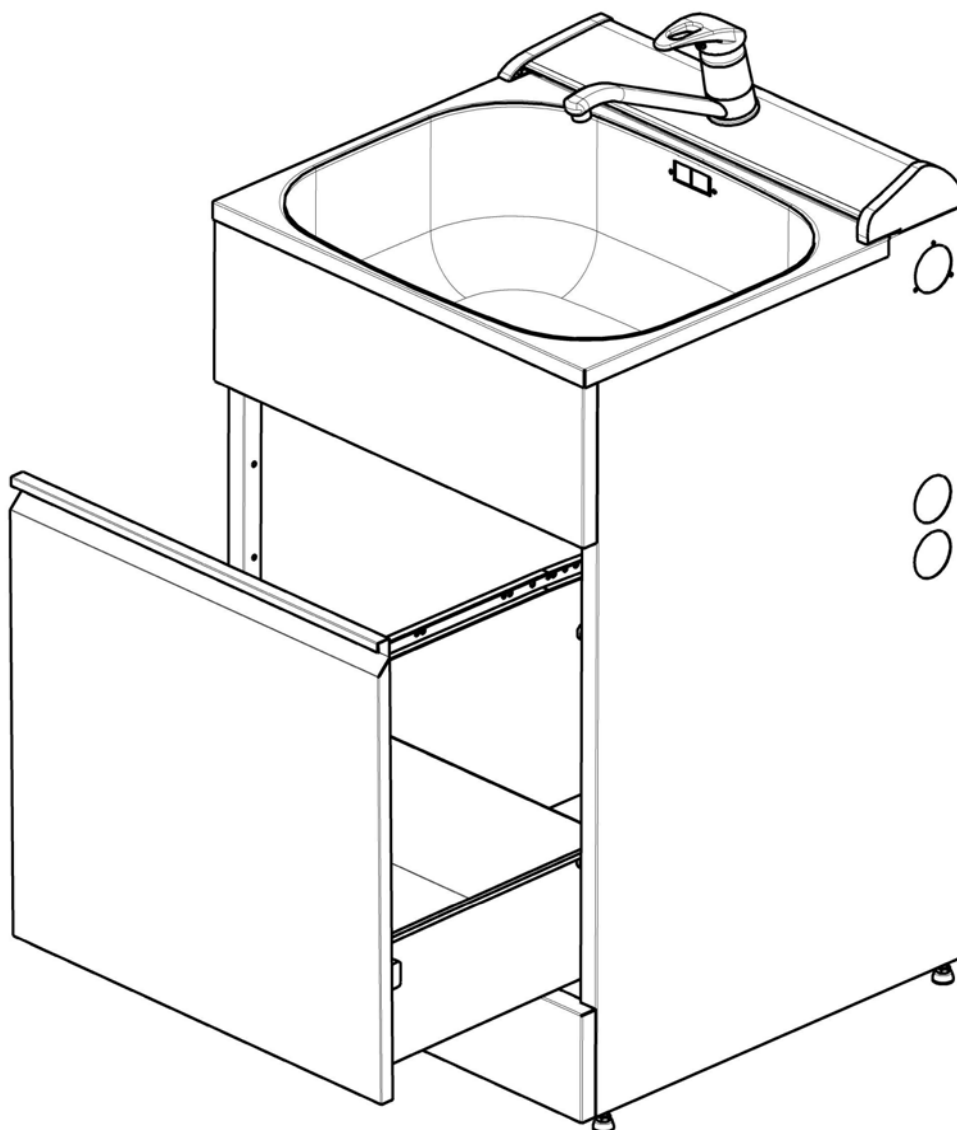


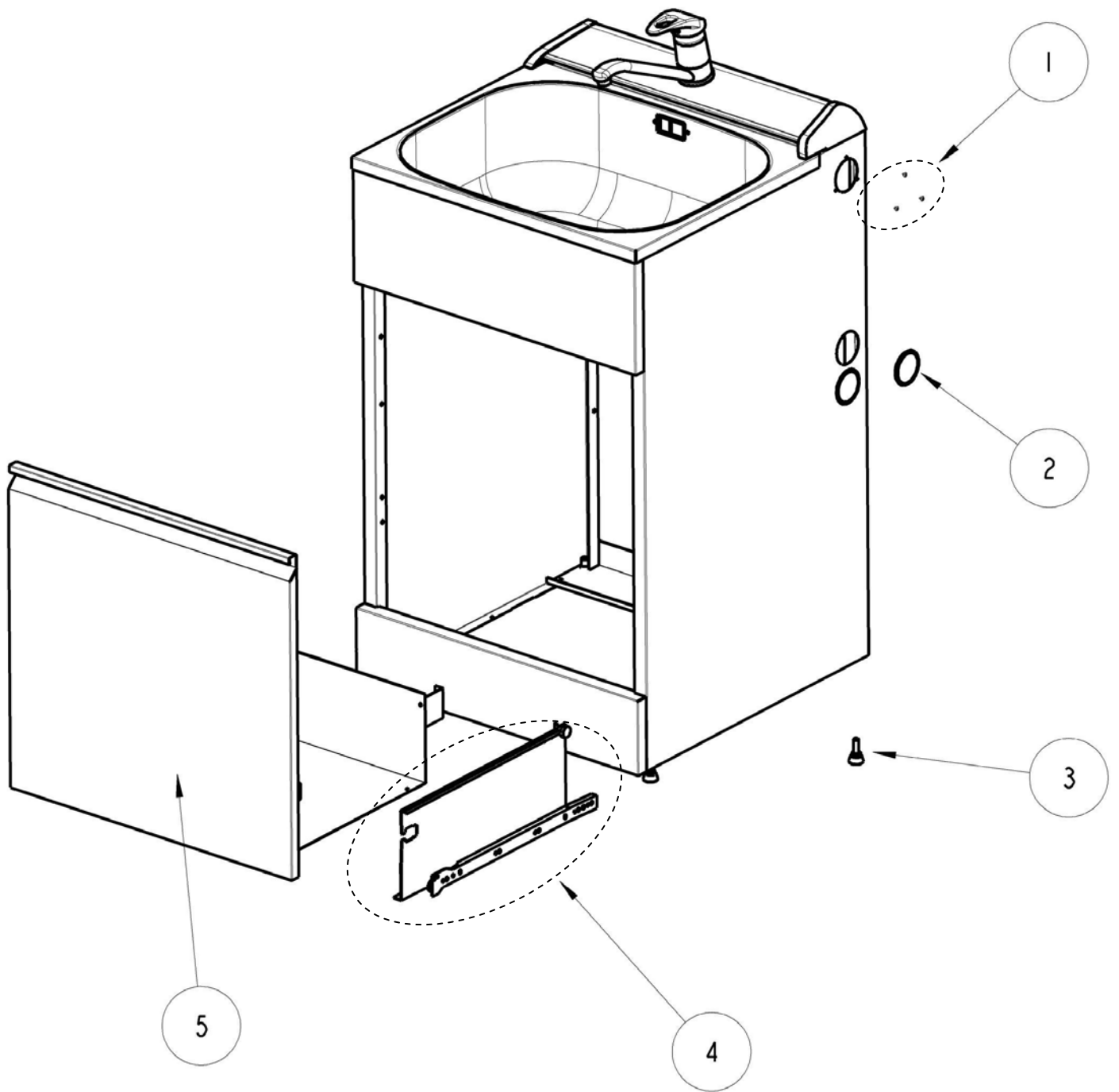


SERVICE MANUAL

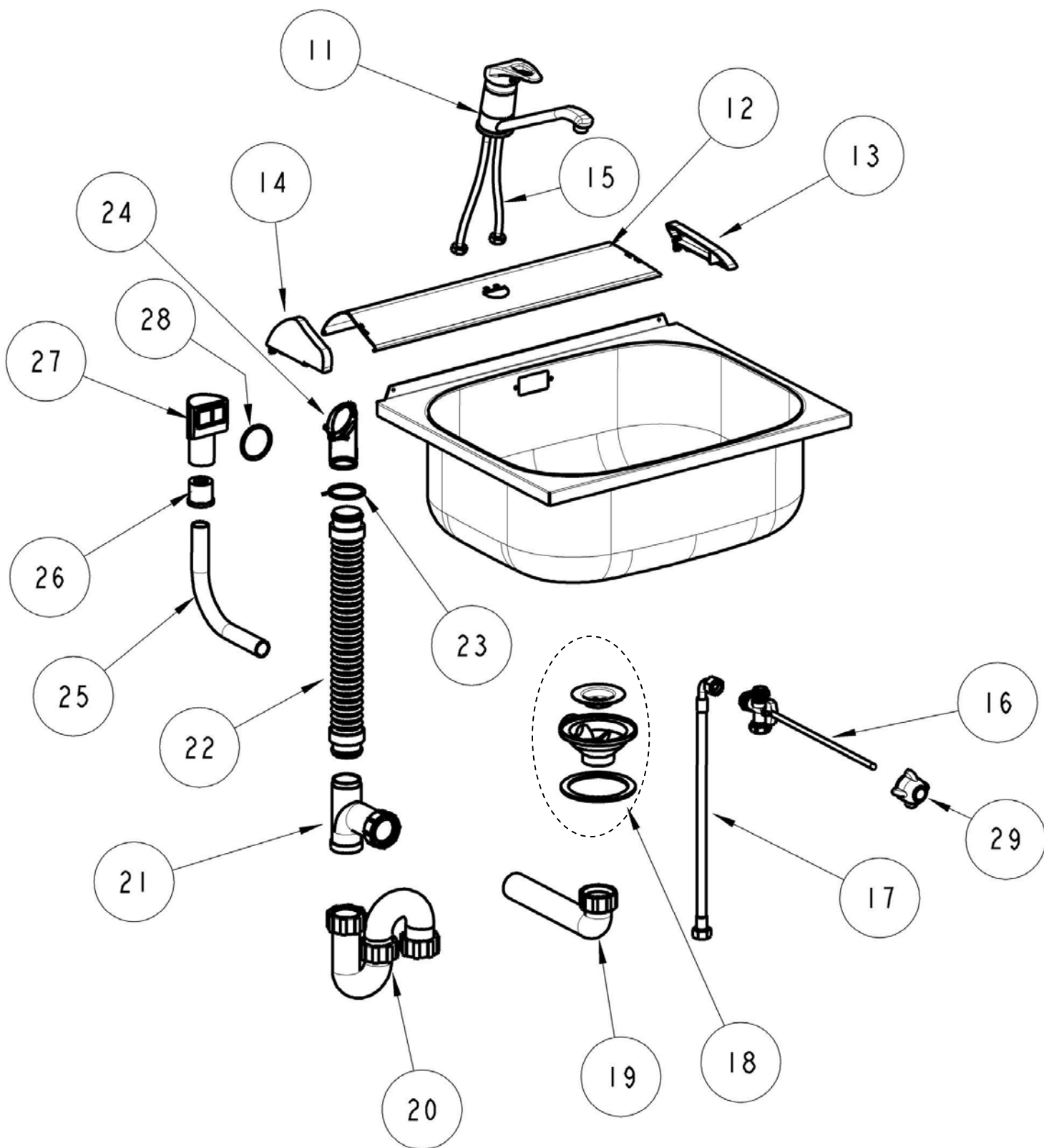


SUPERTUB²

ST 6000 / 6000SLIM



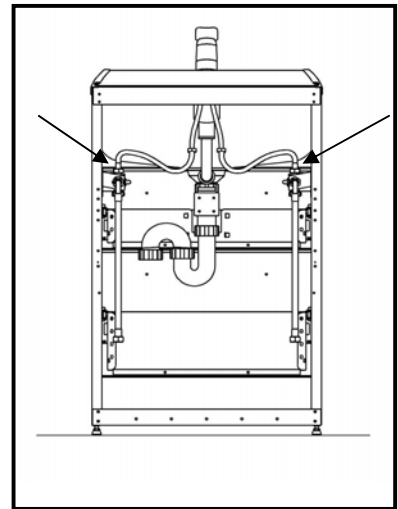
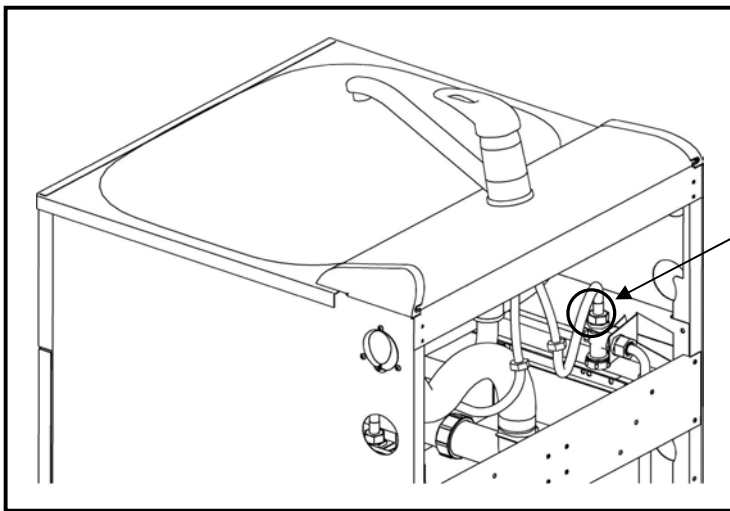
ITEM	DESCRIPTION	Part No	
		ST 6000	ST 6000SLIM
1	SCREW 6 X 1/4" (X3)	SEE ITEM 6	SEE ITEM 6
2	GROMET SIDE PANEL	SEE ITEM 6	SEE ITEM 6
3	ADJUSTABLE FOOT M8 X 25 INC LOCKING NUT	SEE ITEM 6	SEE ITEM 6
4	RAIL AND RUNNER (RH/LH SET)	751001	751001
5	SINGLE DRAW ASSEMBLY (INC RAIL AND RUNNER)	751065	751061
6	INSTALLATION KIT	751078	751082



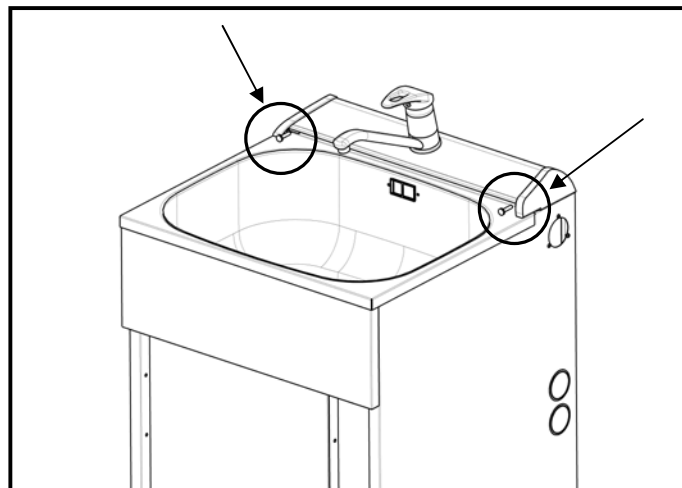
ITEM	DESCRIPTION	Part No	
		ST 6000	ST 6000SLIM
11	SINGLE LEVER SWIVEL TAP	750857	750857
12	CONSOLE ST 6/7000	751042WH	NA
13	PLASTIC SIDE WH (LH/RH SET)	750812WH	NA
14			
15	HOSE FLEXI TAP ½" NUT	751060	751060
16	VALVE BALL 3 WAY ASSEMBLY	751018	751018
17	HOSE FLEXI 90 DEG ½" NUT	751022	751022
18	REDUCER WASTE ASSEMBLY	751030	751030
19	ELBOW 90 DEG	751033	751033
20	P AND S TRAP	751034	751034
21	TEE PIECE	751032	751032
22	HOSE WASTE WMC	751036	751035
23	SPRING CLIP	751070	751070
24	INLET MOUNT	751068WH	751068WH
25	CONDUIT 400mm	751031	751031
26	OVERFLOW RUBBER	751037	751037
27	OVERFLOW CONDUIT ADAPTOR	751069BL	751069BL
28	O-RING 40mm ID	750081	750081
29	KNOB - RED	750909RD	750909RD
	KNOB - BLUE	750909BU	750909BU
30	PLUG (NOT SHOWN)	SEE ITEM 18	SEE ITEM 18

Removal of the console to access the single lever swivel tap

1. Remove draws.
2. Turn water off at the 3-way ball valve.
3. Disconnect hoses from the valve (see diagrams below).



4. Remove two screws from front of console (see diagram below).



5. Slide console forward and lift to remove.
6. To assemble, reverse the above procedure.