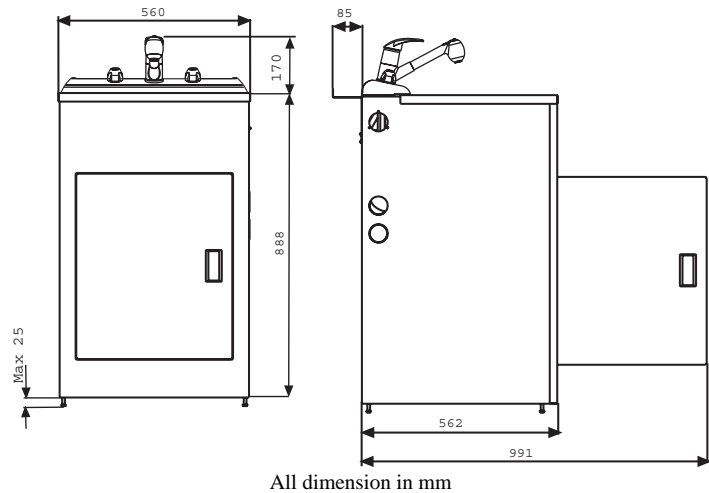


# INSTALLATION INSTRUCTIONS ST5000



Model No: ST5000



Notes  
House plumbing supplied by customer

Washing machine drain system supplied with laundry tub.

(Please note product may vary slightly from the picture.)

The unit is fully assembled and 100% pressure tested.

## PRE-INSTALLATION IMPORTANT

- Please read the entire instructions before installing the laundry tub.
- Ensure the household pipes are thoroughly flushed to remove debris before connecting your laundry tub to the pipe works. To prevent foreign particles damaging the ceramic cartridge an 'in-line' filter is recommended to be installed prior to the mixer.
- Recommended temperature range 5° to 65°C. Maximum temperature 80°C.
- Maximum pressure 175 PSI, minimum pressure 15 PSI.
- If hot and cold water pressures are significantly different then a regulator/flow control device should be fitted.

## REGULATION COMPLIANCE

Comply with current Drainage and Plumbing Regulations as required by your local authority. Sanitary plumbing shall only be carried out by a Registered Plumber.

## DETERMINE SITE

Determine the most suitable position for the laundry tub. It may be used either to the left or right of the washing machine. Allow 10mm clearance between the units. Mark the position on the floor as reference.



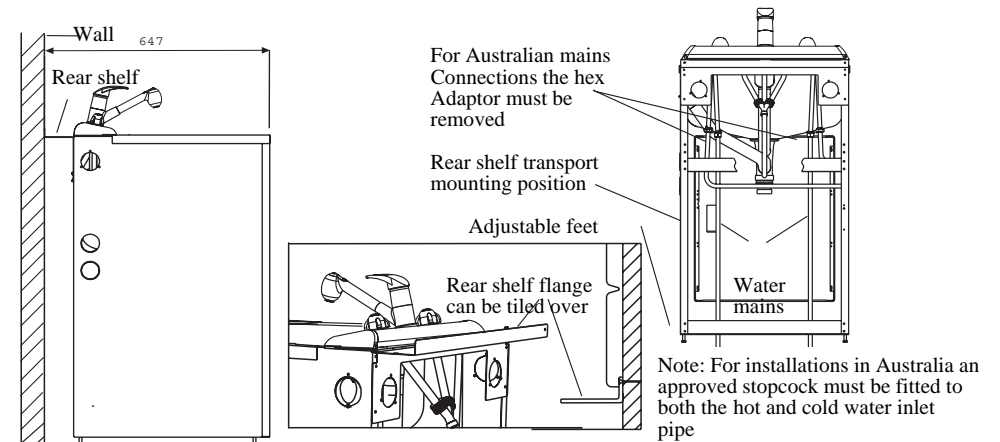
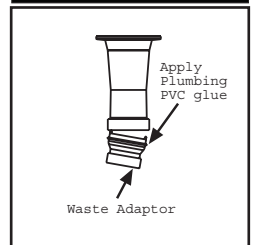
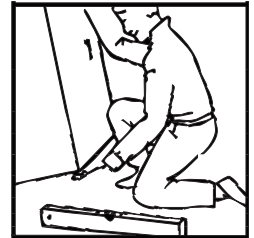
Photo A



Photo B

## SECURING LAUNDRY TUB

- 1 Fit the four adjustable feet supplied to the bottom of the cabinet and adjust to align with washing machine height. Use the lock nut to secure the feet into position. Tilt laundry tub slightly to assist with access. Check the top of the laundry tub with a spirit level to ensure that it is level and check that the cabinet does not rock.
- 2 Position the laundry tub and then cut the house waste pipe which should already be installed to the exact height. The final height will depend on the waste trap dimensions. Connect the waste trap to the laundry tub. For use in New Zealand a waste adaptor (pictured & supplied) must be glued in place.
- 3 Connect the hot and cold water pipes to the mains using suitable connectors. Standard fittings are available at most plumbing supply outlets. For Australian mains connections, the hex adaptor must be removed. NOTE: For installations in Australia an approved stopcock must be fitted to both hot and cold water inlet pipes.
- 4 Unscrew the rear shelf which for transportation purposes is mounted at the rear of cabinet (refer diagram below & photo B). Fasten the cabinet to the wall either through the holes in the back flange of the cabinet sides or by the rear shelf which in turn enables the laundry tub to align with the front of the washing machine. Ensure the rear shelf is fastened to the cabinet with four screws (supplied). Alternative fastening can be achieved through the floor.



## CONNECTING THE WASHING MACHINE

The washing machine waste hose can be connected to either side or the rear of the laundry tub.

### A1: Rear Mounted.

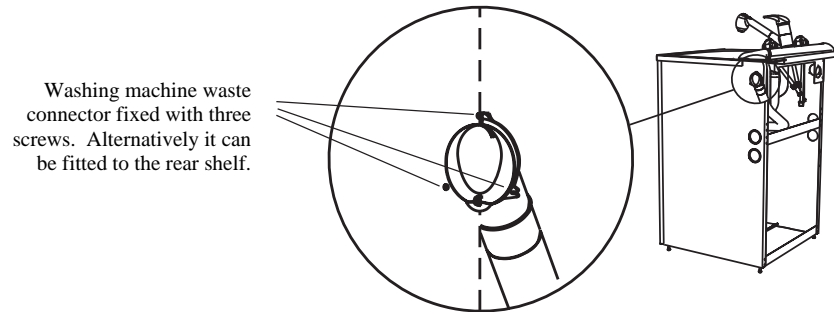
Place the washing machine connector from the inside of the laundry tub to either the left hand or right hand holes beneath the rear shelf. Fasten from the outside with the three screws supplied (photo A & B).

Insert the decorative caps supplied from the installation kit into any side panel holes that are not used for the plumbing of the washing machine.

### A2: Side Mounted.

Place the washing machine connector from inside the laundry tub to the required side hole, either left or right, fastening it from the outside with the three screws supplied.

Insert the decorative caps supplied from the installation kit into any side panel holes that are not used for the plumbing of the washing machine.

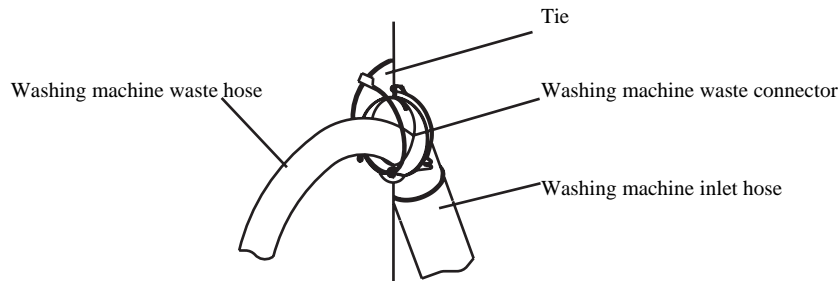


Washing machine waste connector fixed with three screws. Alternatively it can be fitted to the rear shelf.

## IMPORTANT:

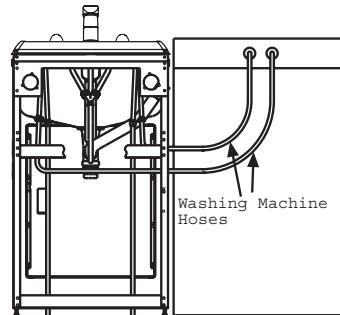
Ensure the flexible hose is correctly fitted to the plastic waste outlet and the plastic washing machine connector and that the spring clip is firmly in place.

B: To prevent the washing machine waste hose from coming loose use the cable tie provided to fasten the hose firmly to the washing machine waste connector.

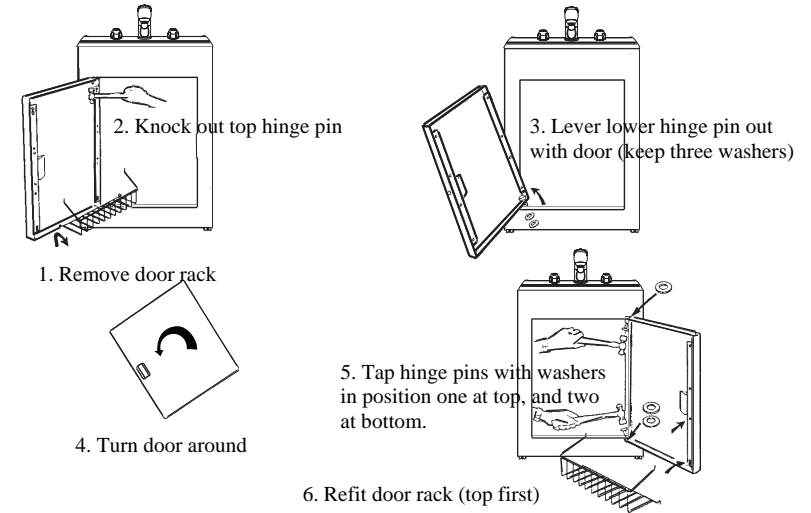


D: Pass the washing machine inlet hoses through the holes in the side panels and fastening them firmly to pipe work connectors.

E: On completion of the installation check the complete system for water leaks.



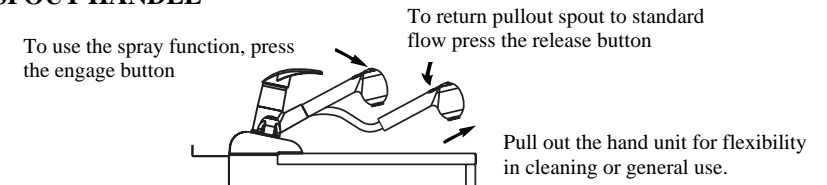
## TO CHANGE DOOR THE DOOR FROM LEFT TO RIGHT



## SAFETY LATCH

The Safety Latch comes as a standard fitting in the interests of child protection against dangerous chemicals and cleaning fluids. However, should you not require the latch it can easily be snapped off with side cutters or similar hand tool.

## PULL OUT SPOUT HANDLE



## CLEANING

Powder coater surfaces must not be cleaned with abrasive or chemical cleaners. To keep the Tapware products looking their best, wipe regularly with a damp soft cloth. Sometimes a mild soap and water solution may be necessary to shift the stubborn dirt. Under no circumstances use harsh detergents (including chemical cleaners) bleaches, scourers or any abrasive cleaner. These products may irreparably damage tapware finishes, especially gold, colour coated and painted surface.

NB. Their use will render the warranty void.



ISO 9001/2000 certification

**New Zealand: Robinhood Ltd**  
Tel: 0800 760 667 Fax: 0800 276 246  
Email: enquiries@robinhood.co.nz  
www.robinhood.co.nz

**Australia: Robinhood Australia Pty Ltd ACN**  
Tel: 1800 648 556 Fax: 1800 628 577  
Email: enquiries@robinhood.co.nz  
www.robinhood.com.au



RECOMMENDED DUCTING SYSTEM FOR RANGEHOODS