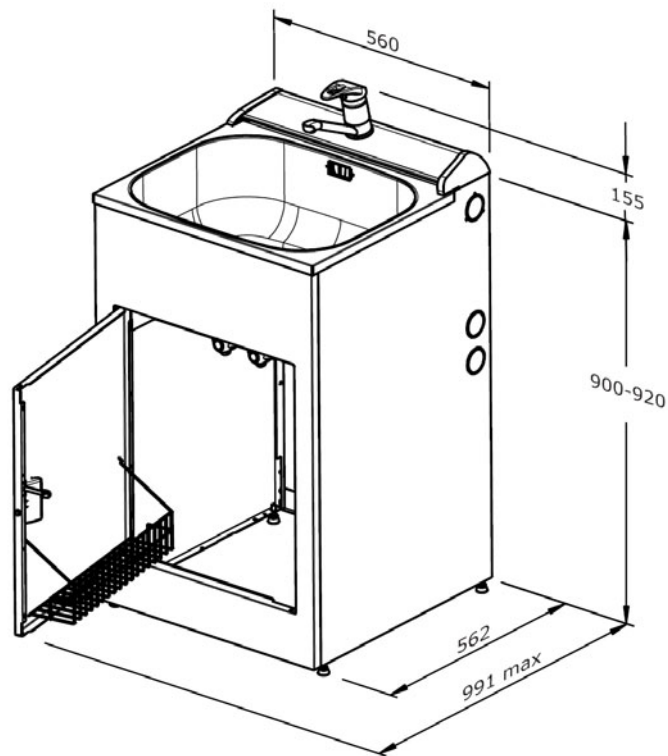


Description: **ROBINHOOD SUPERTUB**
 Model Number: **ST3600**



Typical design



Features and benefits

- **Removable console**
 Makes sealing simple, allowing a fast and easy installation.
- **Hidden washing machine taps**
 Hidden washing machine taps giving the Robinhood supertub a cleaner, more desirable appearance.
- **All pressure**
 The Robinhood supertub incorporates a unique valve that adapts to different water pressures. It is the ideal choice for low, mains, or even unequal water pressures.
- **Single lever mixer**
 Quality mixer tap for fingertip control of water flow and temperature.
- **Adjustable feet**
 Adjustable feet, so that the supertub can be aligned with other appliances.
- **Empty washing machine when tub is full**
 Internal plumbing allows washing machine to empty when the tub is full.

Specifications

Technical data:

- Cabinet - 0.6mm galvanised sheet metal, powder coated.
- Bowl - 34 Litre water capacity. 0.8mm stainless steel bowl.
- Mixer - single lever with ceramic disk cartridge.
- Visible plastic parts - ABS UV (ultra violet sun protection).
- Internal diameter of the washing machine waste hose outlet fitting to the supertub is 30mm.

Gross weight: 18.4 kg

Volume: 0.37m³

Carton dimension: 585 x 615 x 1040mm (w x d x h)

Product dimension: 560 x 562 x 900 - 920mm (w x d x h)

Performance data:

- Designed and manufactured to perform in All Water Pressure situations

High Pressure	Cold Pressure	Known As	Suitable
Low	Low	Low	Yes
High	High	Mains	Yes
Low	High	Unequal	Yes
High	Low	Unequal	*

* Will require non return valve to be swapped from hot side to cold side.

ISO 9001/2000 CERTIFICATION

New Zealand

Robinhood Ltd
Telephone: 0800 760 667
Facsimile: 0800 276 246
Email: enquiries@robinhood.co.nz
www.robinhood.co.nz

Australia

Robinhood PTY Ltd
Telephone: 1800 648 556
Facsimile: 1800 628 577
Email: enquiries@robinhood.com.au
www.robinhood.com.au

 Robinhood