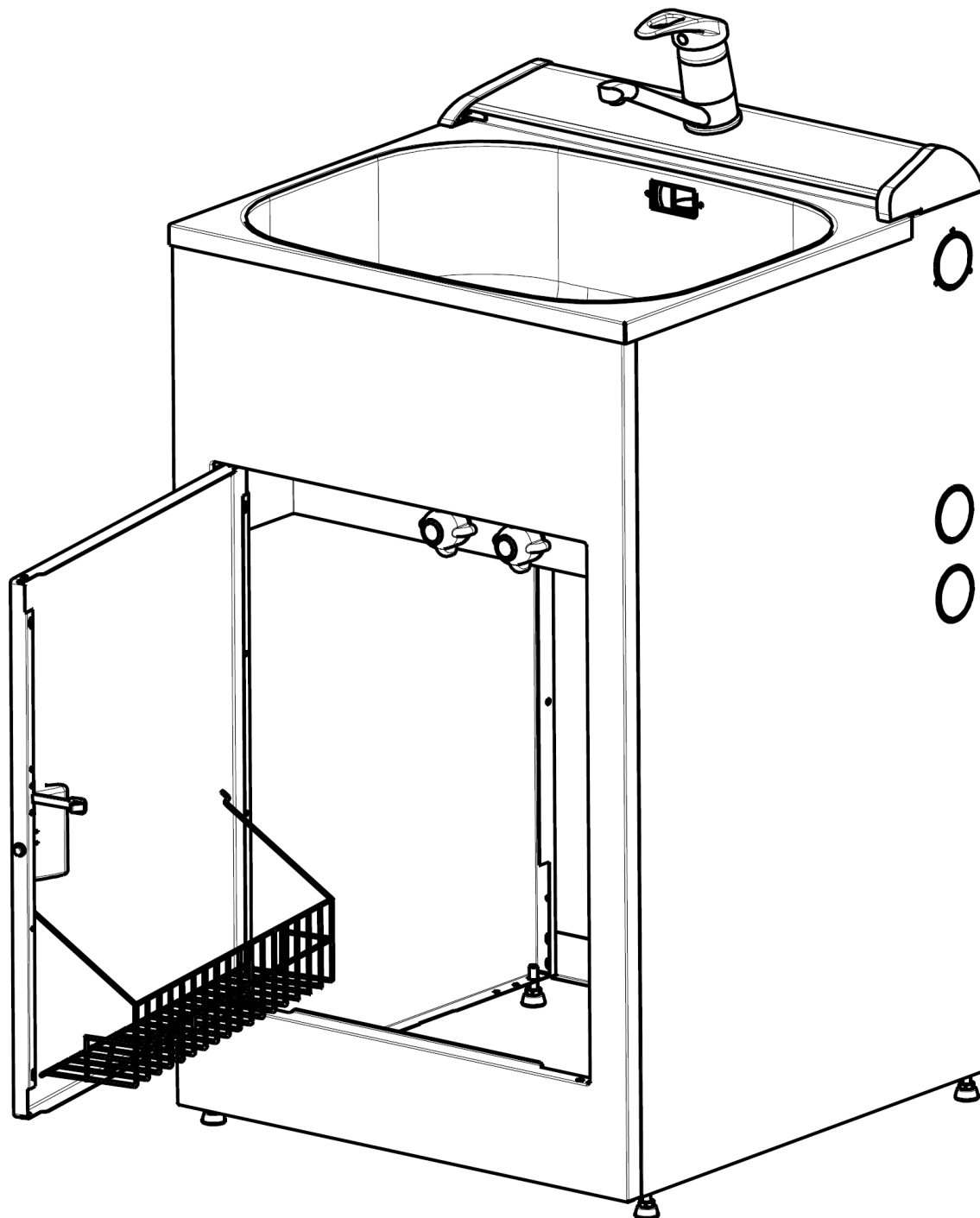
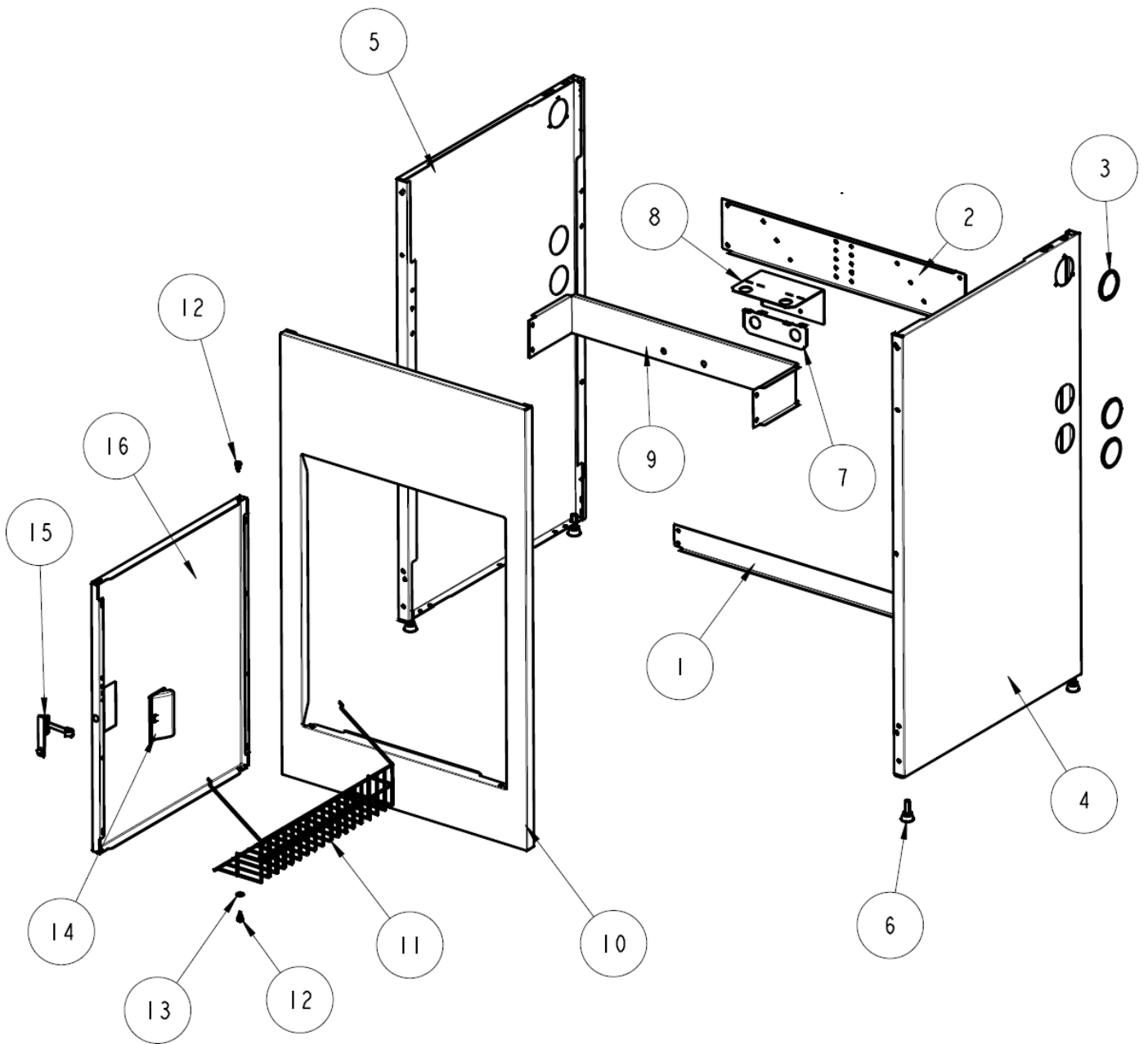


Description: **ROBINHOOD SUPERTUB**
Model Number: **ST3600**

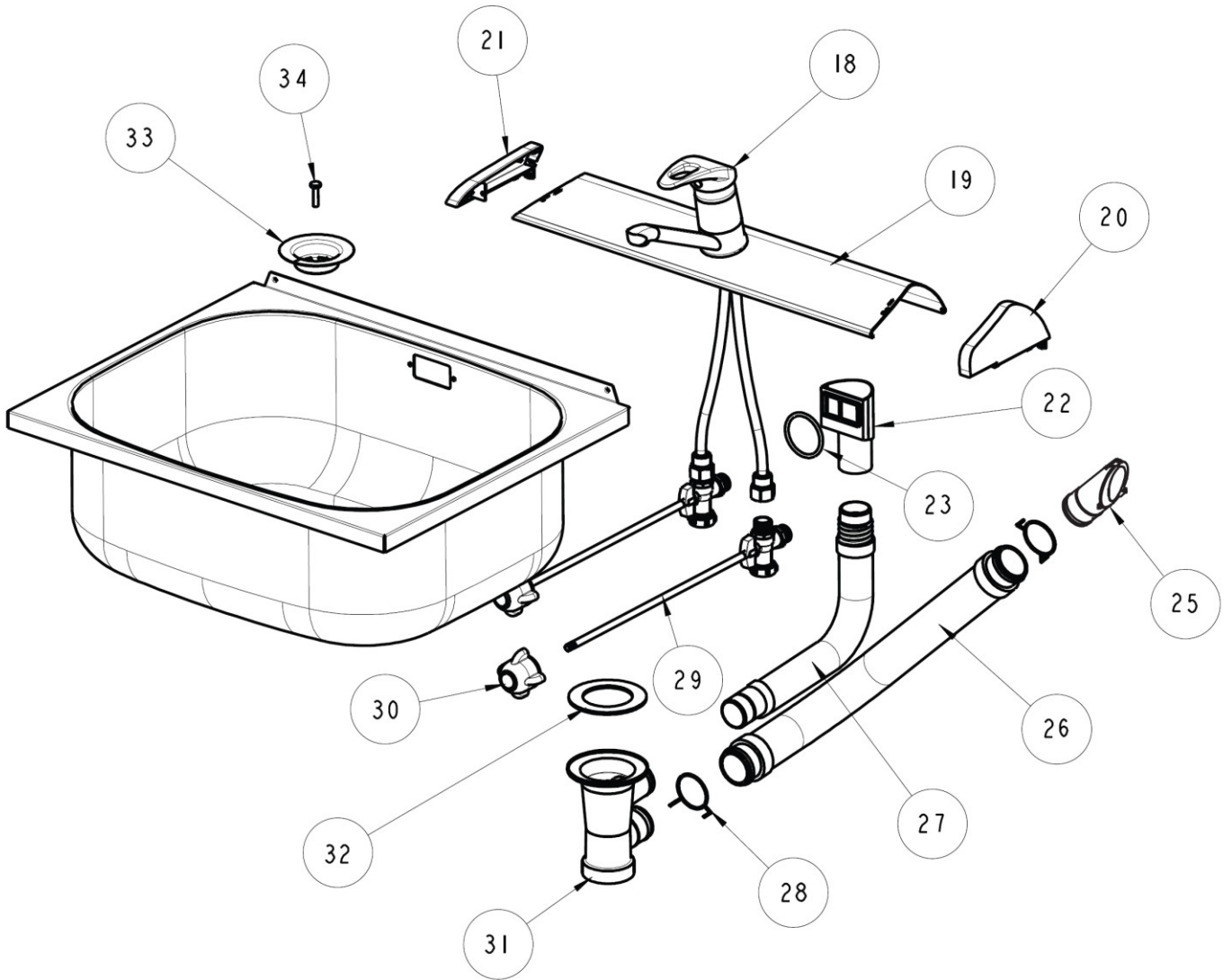


Exploded view cabinet



		Part number
Item	Description	
1	REAR BRACE - PAINTED WHITE	750613WH
2	REAR BRACE MID - PAINTED WHITE	751058WH
3	GROMMET SIDE PANEL	750640WH
4	ST SIDE RIGHT - PAINTED WHITE	
5	ST SIDE LEFT - PAINTED WHITE	
6	FOOT ADJUSTABLE M8 X 25 INC LOCKING NUT	SEE ITEM 17
7	BRACKET VALVE HOLDER VERTICAL - PAINTED WHITE	751094WH
8	BRACKET VALVE HOLDER REAR - PAINTED WHITE	751092WH
9	BRACKET VALVE HOLDER FRONT - PAINTED WHITE	751091WH
10	ST FRONT - PAINTED WHITE	
11	DOOR RACK WIRE - WHITE	750447
12	PIN HINGE	750085
13	WASHER HINGE	750084
14	DOOR HANDLE	750016WH
15	DOOR LATCH	750017
16	DOOR - PAINTED WHITE	750615WH
17	INSTALLATION KIT	750639

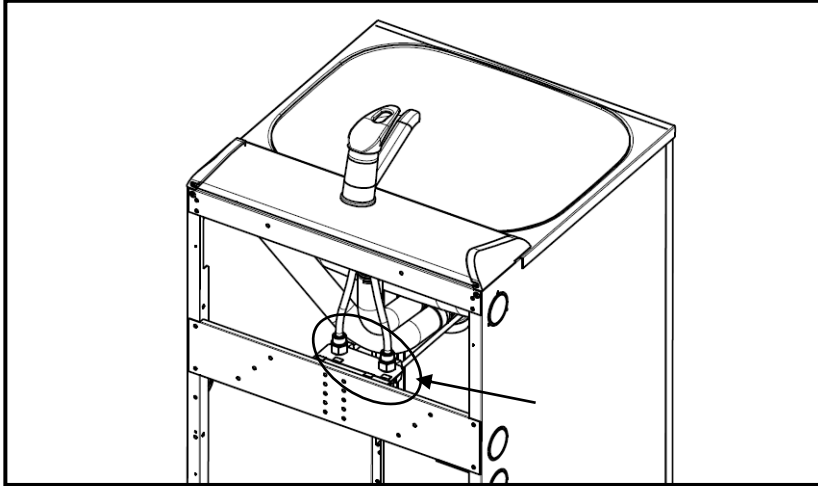
Exploded view plumbing



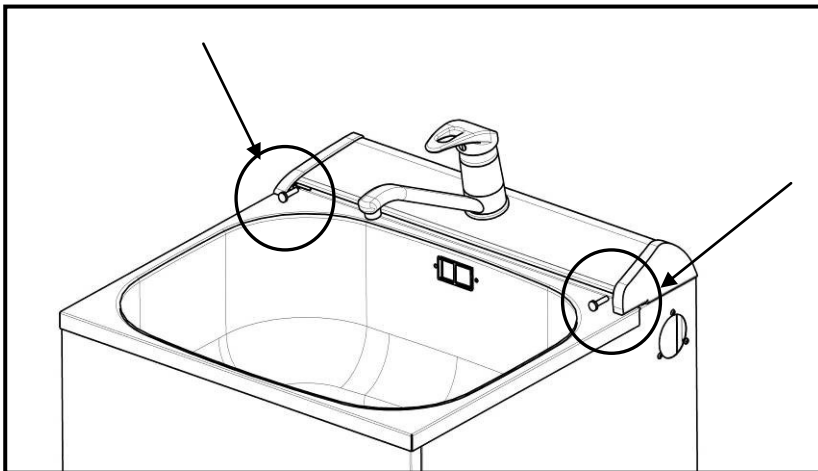
		Part number
Item	Description	
18	SINGLE LEVER SWIVEL TAP	751093
19	CONSOLE - PAINTED WHITE	751042WH
20	CONSOLE SIDE FAMILY	750812WH
21		
22	OVERFLOW HOUSING	751069
23	O-RING 40mm ID	750081
25	INLET MOUNT W/M	751068
26	HOSE FLEXIBLE W/M	USE ITEM 35
27	HOSE FLEXIBLE WASTE	USE ITEM 35
28	SPRING CLIP	751070
29	VALVE BALL 3-WAY ASSEMBLY	751132
30	KNOB - RED	750909RD
	KNOB - BLUE	750909BU
31	50 mm BODY WASTE	750632WH
32	SEAL WASTE	750634
33	GRILL WASTE - 50mm SS	750633P
34	SCREW M6x25 SS	999140
35	WASTE HOSE SUB ASSEMBLY	750717

Removal of the console to access the single lever swivel tap

1. Open door.
2. Turn water off water at the mains inlet and at the 3-way ball valve.
3. Disconnect hoses from the valves (see diagram below).



4. Remove two screws from front of console (see diagram below).



5. Slide console forward and lift to remove.
6. To assemble, reverse the above procedure.

Notes

ECN: 09 040

New Zealand

Robinhood Ltd
Telephone: 0800 760 667
Facsimile: 0800 276 246
Email: enquiries@robinhood.co.nz
www.robinhood.co.nz

Australia

Robinhood PTY Ltd
Telephone: 1800 648 556
Facsimile: 1800 628 577
Email: enquiries@robinhood.com.au
www.robinhood.com.au

