

PRODUCT & TECHNICAL SHEET

Brand

:  **Robinhood**[®]

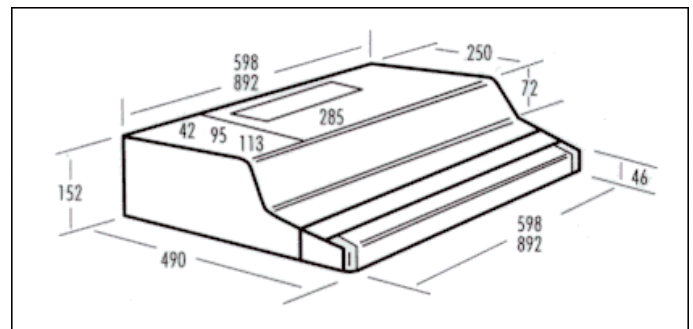


Model Number : SL6WH, SL9WH
 Model Description : Slimline Rangehood
 Colours : White
 Sizes : 600mm and 900mm

SPECIFICATIONS

TECHNICAL DATA :

- 40 watt incandescent light
- Axial 3 speed motor 43 watt
- 240 Volt / 50 Hertz
- Tested to EMC AS/NZS4417 (radio frequency interference)
- Electrical approval AS3310-1992
- Performance tested to AS2682-1984



WEIGHT (kg) :

600mm 7.38kg
 900 9.88kg

CARTON DIMENSION (mm) :

175 x 525 x 625 (600 unit)
 175 x 525 x 925 (900 unit)
 598 x 152 x 490 (600 unit)
 892 x 152 x 490 (600 unit)

Volume (m³) :

0.057
 0.084

Rangehood Dimensions (mm)

PERFORMANCE DATA :

	Max Airflow (m/hr ³)	Noise (dB)
Speed 1 rear/top duct	109/241	49/53
Speed 2 rear/top duct	301/363	54/61
Speed 3 rear/top duct	338/401	61/62

FEATURES AND BENEFITS

FEATURES

- Single 40 watt light (twin light in 900mm model)
- 3 speed motor
- 2 x 9 layer filters for easy cleaning
- Axial fan blade
- Motor off/speed 1/speed 2/speed 3 switch
- Top or rear ducting
- Recirculating option
- Charcoal filters available
- Powder coated paint finish
- Welded seams
- On the wall or built in installation
- Safety thermal overload switch
- Fire retardant plastic parts

BENEFITS

- Provides plenty of light for cooking
- Allows flexible power control
- Extracts substantial grease and fat particles from the air
- Provides high air movement
- Various power settings as required
- Allows flexible ducting options
- Rangehood doesn't have to be ducted - saves construction costs
- Improves filtration with recirculating option
- Clean, smooth finish with attractive looks
- Solid construction with long life
- Provides flexibility for various kitchen designs
- Provides peace of mind by automatically switching off if a fire occurs thereby preventing the fire being sucked up into the ceiling
- Safety

