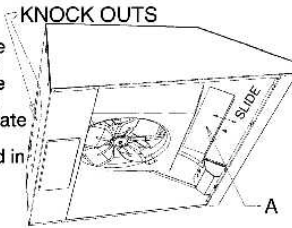


## DUCTS

If the rangehood is installed in the recirculating mode, unscrew and slide out the vent cover "A". If the rangehood is to be installed as a ducted unit, remove the appropriate duct knock-out (top or rear) and ensure the vent cover is fastened in place. Refer also to Ducting Options.



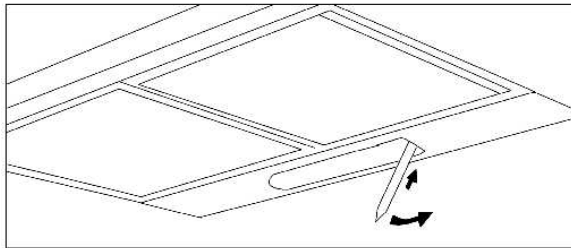
## OPERATION

After your Rangehood is fixed in position:

1. Check that the light and the diffuser are in place.
2. See that the filters are correctly positioned.
3. Plug into 230/240V 3 pin outlet. Keep cord clear of stove elements or hot utensils. Permanent wiring to house supply, or modifications to plug or wire should be carried out by a registered electrician.

## CLEANING

1. Disconnect the Rangehood from power supply.
2. Wash aluminium filters every 2 or 3 months, depending on usage, with hot soapy water or in the dishwasher.
3. Charcoal filters are disposable items and should be replaced when cleaning the rangehood.
4. Clean the external and internal surfaces including the fan blades, using a damp cloth and mild detergent. Do not use any powder or abrasive cleaners.



## LAMP REPLACEMENT

1. Disconnect the Rangehood from power supply.
2. Insert small screwdriver or slim knife as shown, ease catch to side and slip out the diffuser.
3. Replace lamp (40 watt max).
4. Slide diffuser back into aperture and 'click' into place.

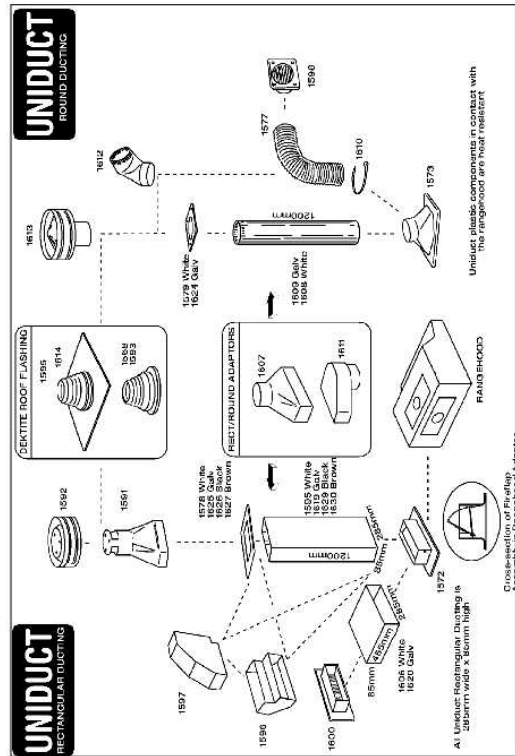
## PARTS AND SERVICE

For Accessories, Parts or Services, please contact your local supplier or approved service agent. (Refer to the Warranty WARNING.)

- This appliance is not intended for use by young children or infirm persons without supervision.
- Young children should be supervised to ensure that they do not play with the appliance.
- There shall be adequate ventilation of the room when the rangehood is used at the same time as appliances burning gas or other fuels.
- You must read the details concerning the method and frequency of cleaning.
- There is a fire risk if cleaning is not carried out in accordance with the instructions.
- Do not flame under the rangehood.
- Exhaust air must not be discharged into a flue which is used for exhausting fumes from appliances burning gas or other fuels.
- The minimum distance between the hob surface and the lowest part of the rangehood. This distance shall be at least 650mm if the rangehood is installed over a gas hob.
- That regulations concerning the discharge of exhaust air have to be fulfilled.
- If the supply cord of this equipment is damaged, it must only be replaced by the manufacturer or its service agent or similarly qualified person in order to avoid a hazard.

# Robinhood

## RECOMMENDS UNIDUCT DUCTING SYSTEMS FOR

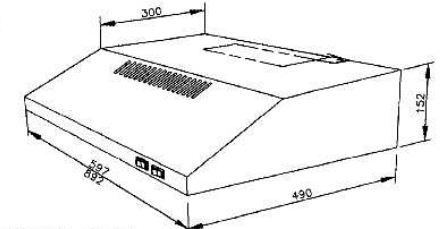


# Robinhood

## INSTALLATION INSTRUCTIONS

### MODELS RU6 & RU9

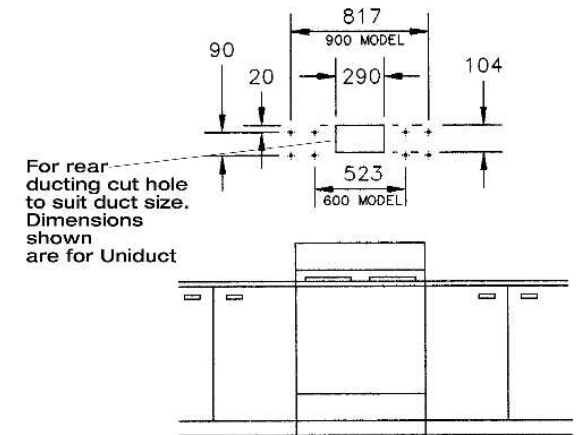
To be used together with mounting



## WALL MOUNTING

### Model 600 and 900

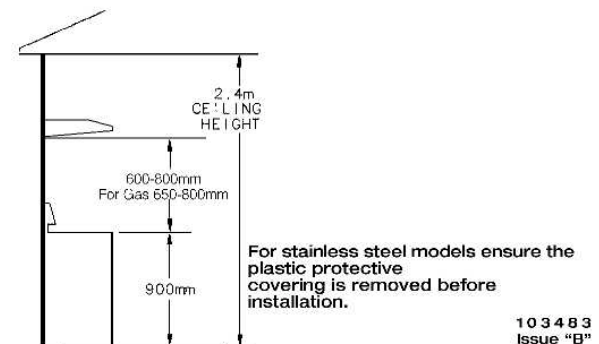
If using Uniduct cut outside wall hole 90 x 290mm



# Robinhood

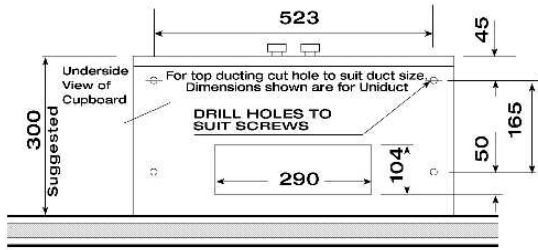
MANUFACTURED IN NEW ZEALAND BY:

ROBINSON INDUSTRIES LIMITED  
P.O. BOX 51 201, PAKURANGA  
AUCKLAND, NEW ZEALAND  
TEL: 64 (9) 274 5615

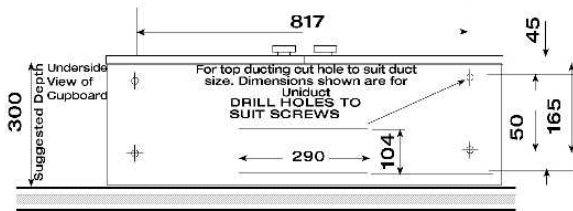


103483  
Issue "B"

### UNDERCUPBOARD MOUNTING

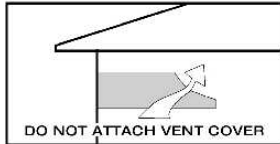


### UNDERCUPBOARD MOUNTING

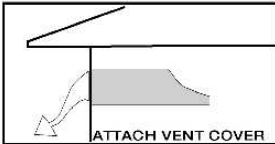


### DUCTING OPTIONS

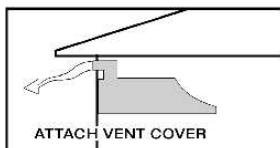
#### RECIRCULATING



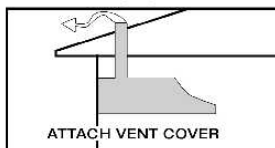
#### REAR DUCTED



#### FLEXIBLE DUCT FOR SIDE DUCTING



#### TOP DUCTED THROUGH ROOF

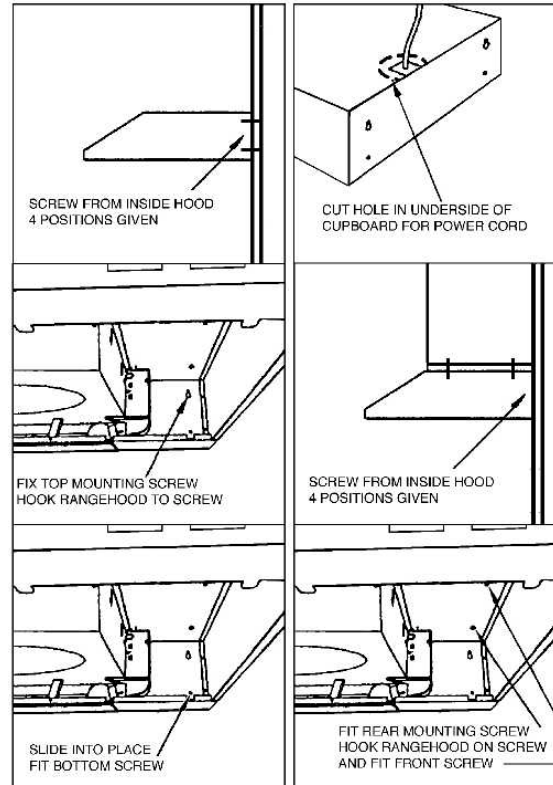


### NOTE: when ducting

Exhaust air must not be discharged into any chimney or flue which may carry combustion products from other sources. In addition, exhaust air must not be discharged into a wall cavity, unless designed for the purpose.

## MOUNTING OPTIONS

### MOUNTING TO REAR WALL MOUNTING UNDER CUPBOARDS



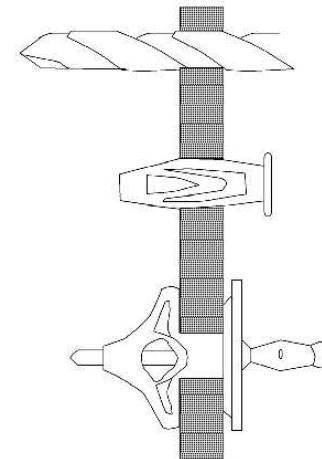
### NOTE:

Fastening screws and plugs are not supplied due to the various types and thickness of fixing surfaces available. Contact your local hardware outlet.

## WALL MOUNTING DETAILS

### FOR INSTALLATION OF PLUGS FOR WALL MOUNTING

1. Mark location of holes as per installation instructions.
2. Drill hole.  
Note: Do not use a screw driver to punch a hole in the base material.
3. Insert Plastic Toggle and tap with a hammer to ensure it is flush with the base material.



**NOT FOR USE IN SOLID**

**FOR SOLID WALLS USE APPROPRIATE WALL PLUGS**