

## WARNING

- This appliance is not intended for use by young children or infirm persons without supervision.
- Young children should be supervised to ensure that they do not play with the appliance.
- There shall be adequate ventilation of the room when the rangehood is used at the same time as appliances burning gas or other fuels.
- You must read the details concerning the method and frequency of cleaning. (Refer to Maintenance Instruction)
- There is a fire risk if cleaning is not carried out in accordance with the instructions. (Refer to Maintenance Instruction)
- Do not flambé under the rangehood.
- Exhaust air must not be discharged into an existing flue which is used for exhausting fumes from appliances burning gas or other fuels.
- The minimum distance between the hob surface and the lowest part of the range hood is 600mm. This distance shall be at least 650mm if the range hood is installed over a gas hob.
- Attention should be given to ensure that any applicable regulations concerning the discharge of exhaust air are fulfilled.
- If the supply cord of this equipment is damaged, it must only be replaced by the manufacturer or its service agent or similarly qualified person in order to avoid a hazard.

**IMPORTANT:  
THESE RANGEHOODS ARE NOT SUITABLE  
FOR BARBEQUES, OPEN ROTISSERIES,  
OR IN A COMMERCIAL APPLICATION**

**Robinhood**

RECOMMENDS UNIDUCT DUCTING SYSTEMS  
FOR RANGEHOODS

**UNIDUCT**  
RANGEHOOD DUCTING

distributed by  
**ROBINHOOD Ltd**  
P.O. Box 51 201, Pakuranga  
Auckland, New Zealand  
TEL: 64 (9) 272 5129  
FAX: 64 (9) 272 5148  
ISO9001 Certified  
email: [enquiries@robinhood.co.nz](mailto:enquiries@robinhood.co.nz)

for service of advice in Australia contact  
**Robinhood Pty Ltd A.C.N 079 616 550**  
P.O. Box 3065, Syndal 3149  
Victoria, Australia  
TEL: 1800 648 556  
FAX: 1800 628 577  
email: [enquiries@robinhood.co.nz](mailto:enquiries@robinhood.co.nz)

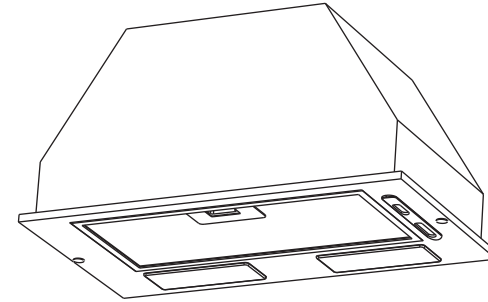
**2 YEARS  
WARRANTY**

Visit our Website at:  
[www.robinhood.co.nz](http://www.robinhood.co.nz)

Electrical Rating:  
240W (1.00A) Max. at 240V 50Hz

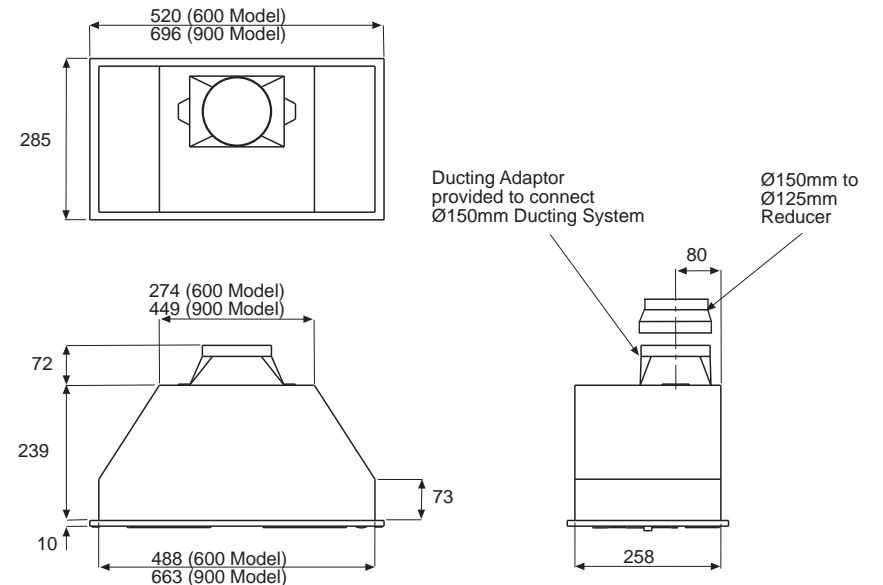
# RANGEHOOD

## INSTALLATION INSTRUCTION



Note: Generic model is shown.  
Actual product may differ.

## PRODUCT DIMENSIONS



All dimensions are in millimeters

# INSTALLATION OF UNIT

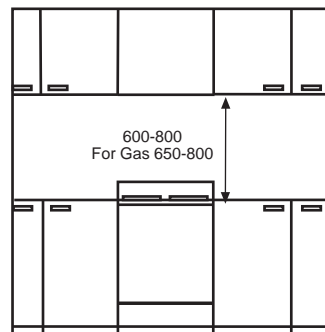
Please read the entire instruction before installing the rangehood.

## STEP 1. PRELIMINARY INSTRUCTIONS

The following steps will help you to easily install your rangehood in the manner most suited to your kitchen. Plan your ducting method and mounting arrangements, choose your electrical connection, then simply follow these instructions.

When installing the rangehood, the lower edge of the unit must be a minimum of 600mm (650mm for gas cooker) above the cooking range.

The recommended position for the hood is 650mm above the hotplates.



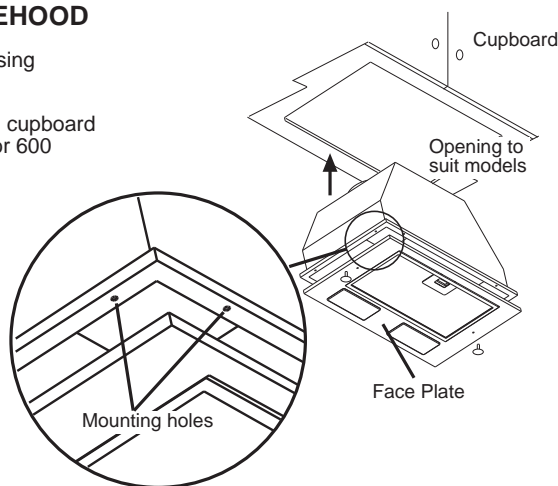
## STEP 2. MOUNTING THE RANGEHOOD

Fit the exhaust adaptor to the rangehood using the short screws supplied.

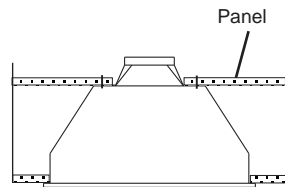
Provide an opening on the underside of the cupboard to suit models. Provide 489mm x 259mm for 600 Model or 664mm x 259mm for 900 Model.

Remove the face plate by undoing the two visible screws to access the mounting holes. Note: there are eight mounting holes.

Lift the rangehood and fit through the opening. Secure using long screws supplied. Refit face plate.



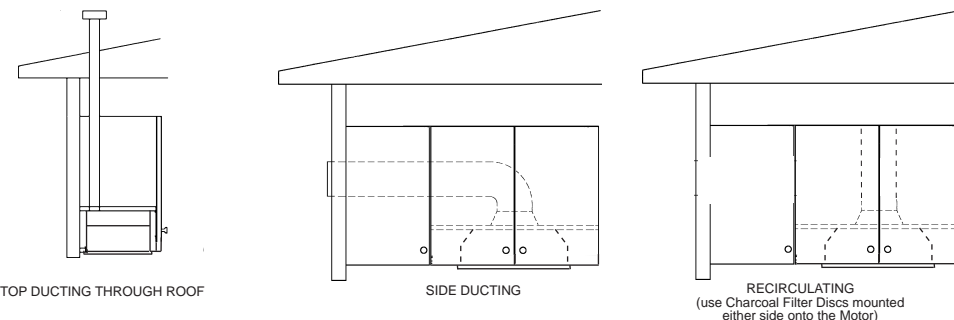
Additional fixing maybe done by installing a panel into the cupboard above the rangehood. In the top of the rangehood, drill two holes on either side of the motor. Locate holes to suit panel. Ensure clearance is made for the exhaust adaptor. Secure the rangehood into the top panel.



## STEP 3. DUCTING METHODS

Some authorities require rangehoods to be vented outside. DUCTED models comply with this requirement in every respect.

### DUCTING OPTIONS



It is recommended that Ø150mm ducting is to be used, however a reducer from Ø150mm to Ø125mm is supplied should Ø125mm be required.

## MAINTENANCE

### USE & CARE GUIDE

Thank you for choosing our product. These instructions will help you derive the greatest benefit from it. Please remember to fill out the details on the warranty certificate.

### LIGHT

The light is controlled by an ON/OFF switch in accordance with the graphics printed on the control panel.

### FAN

The fan is controlled by a switch in accordance with the graphics printed on the control panel.

### REPLACEMENT OF LIGHT GLOBE

To replace the globe, disconnect rangehood from power supply, remove the filter, reach inside the rangehood and remove light bulb. Replace with 40 Watt light bulbs.

### GENERAL MAINTENANCE

The rangehood should be cleaned regularly using warm water with soap or mild liquid detergents, so that no build-up of grease occurs as these deposits are corrosive. Do not use abrasives or harsh detergents/cleaning fluids.

### FILTER MAINTENANCE

To maintain efficiency, the Aluminium Filter P/N 103818 (600 Model) or P/N 103824 (900 Model) should be removed regularly (approximately monthly), and washed using soap or mild detergents or dishwasher powders. Badly smoked filters may be cleaned with "cookware cleaners".

Rangehoods fitted with Charcoal Filter Disc P/N 103819 are designed to remove grease and odours from cooking vapours, prior to the cleansed air re-entering the kitchen (when the Rangehood is in recirculating mode). Fully saturated charcoal filters can become a barrier to air movement therefore impeding Rangehood performance. Also in the event of fire, fully grease laden filters could be flammable and therefore regular replacement is recommended. Under normal conditions a period of about three months. In ducted installations, conventional aluminium filters are recommended.