

# PRODUCT & TECHNICAL SHEET

## Brand

:  **Robinhood**<sup>®</sup>

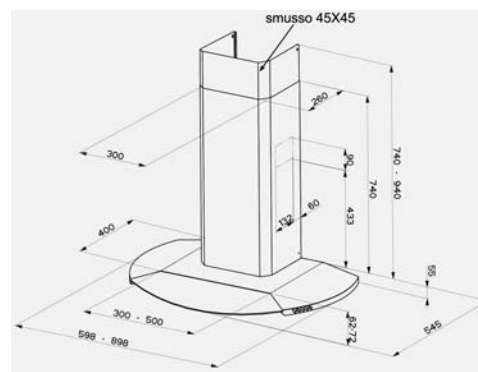


Model Number : RICDW9  
Model Description : Disko Wall Canopy  
Colours : Stainless Steel and Glass  
Sizes : 900mm

## SPECIFICATIONS

### TECHNICAL DATA :

- 2 x 20 watt halogen lights
- Centrifugal fan motor 205 watt
- 240 Volt / 50 Hertz
- Tested to EMC EN 61000-3-2:1995 (radio frequency interference)
- Electrical approval IEC 335-2-31
- Performance tested to AS2682-1984



### WEIGHT (kg) :

RICDW9 21.7kg

### CARTON DIMENSION (mm) :

975 x 415 x 645mm

### Volume (m<sup>3</sup>) :

0.2609

### PERFORMANCE DATA :

	Max Airflow (m/hr <sup>3</sup> )	Noise (dB)
Speed 1 top duct	330	51
Speed 2 top duct	615	64
Speed 3 top duct	720	68

## FEATURES AND BENEFITS

### FEATURES

- Stainless steel grain runs one way
- Electronic switch for lights and speed selection
- Tempered tinted glass
- Extra fine Micro Mesh filter
- Twin 20 watt halogen lights
- Super high performance in line centrifugal 3 speed motor with computer balanced steel blades and twin air intakes
- 2 piece adjustable stainless steel flue
- Ducted or recirculated
- 150mm exhaust outlet

### BENEFITS

- Creates a superb finish
- Simple selection of required speed which are easy to clean
- Latest European kitchen fashion
- Attractive styled filter which is dishwasher proof for easy cleaning
- Ensures perfect light dispersion over the entire cooking area
- Exceptional performance with a net airflow of 720cm<sup>3</sup> tested to Australian Standards AS2682
- Can be adjusted to fit most kitchen situations
- Provides the option of external exhaust of odours or recirculating with a charcoal filter
- The larger outlet ensures greater volumes of air are expelled from the kitchen

