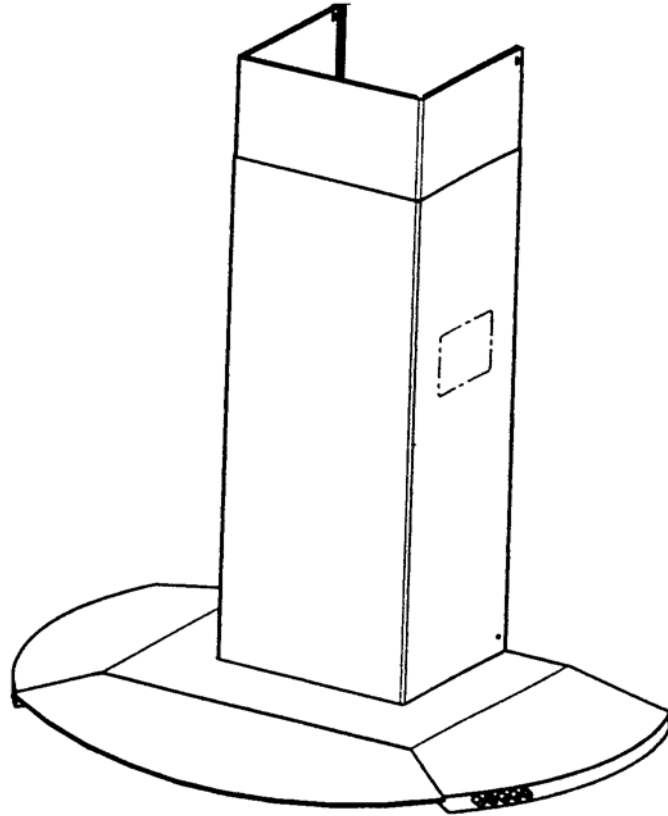


RICDW9
DISKO WALL CANOPY

 **Robinhood**

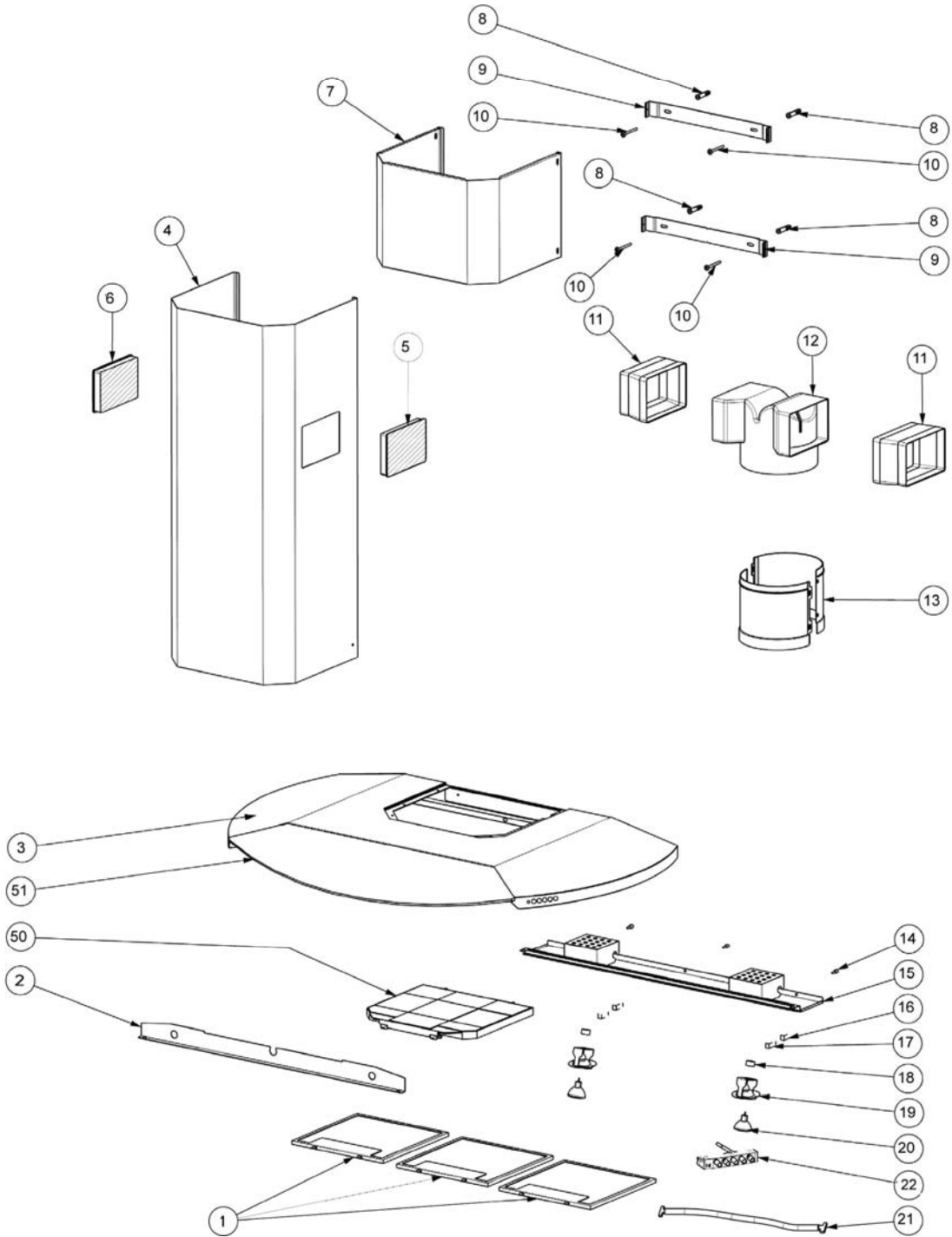


DISKO WALL CANOPY
RICDW9

APPROVED

ISSUE: B
ECN 3004

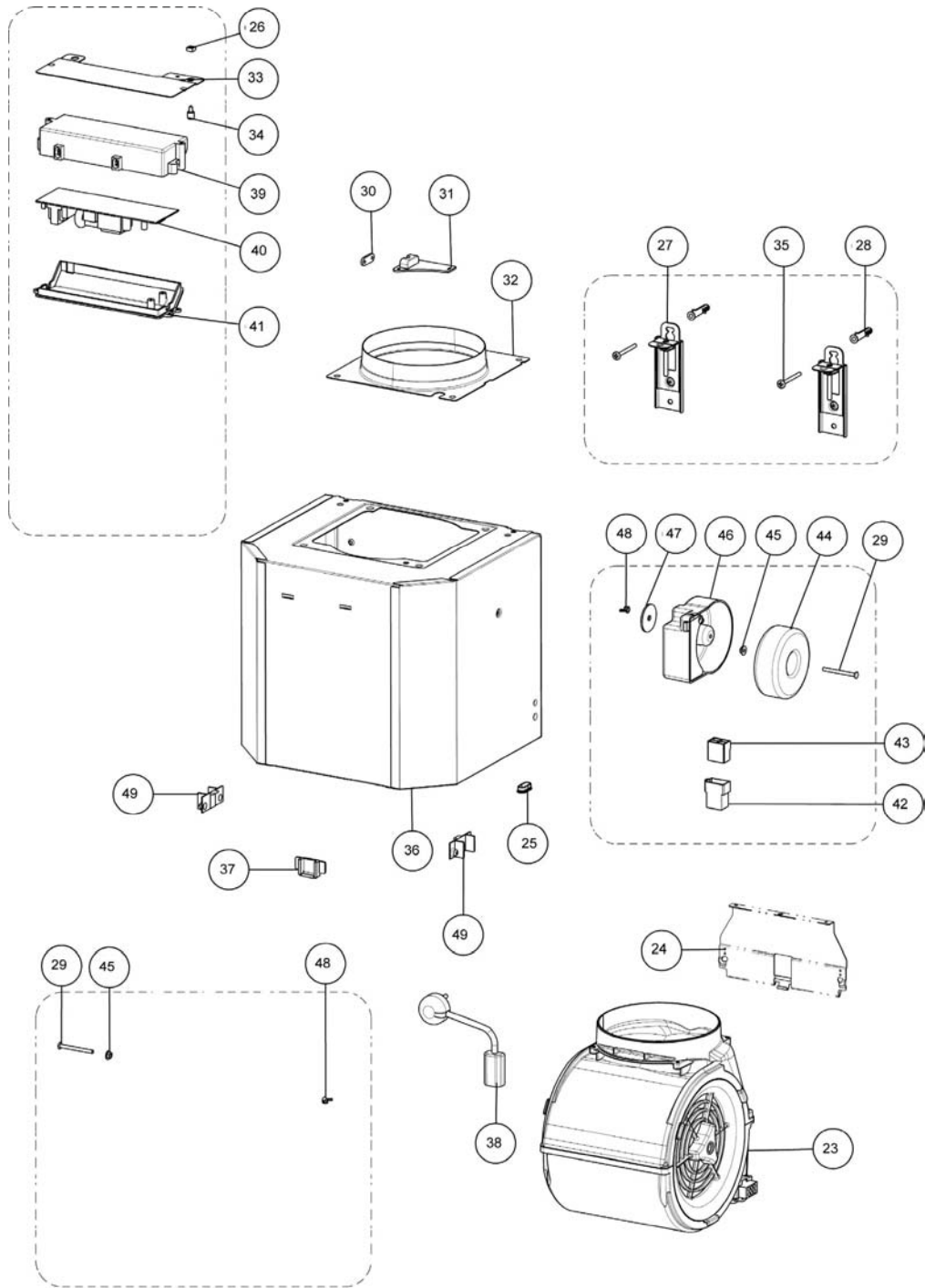
**RICDW9
DISKO WALL CANOPY**



APPROVED

ISSUE: B
ECN 3004

RICDW9
DISKO WALL CANOPY



APPROVED

ISSUE: B
ECN 3004

**RICDW9
DISKO WALL CANOPY**

SPARE PART LIST

ITEM	DESCRIPTION	PART NO
1	ALUMINIUM FILTER	114183
2	PROTECTION COVER	114184
3	CASSING ASSEMBLY	114185
4	LOWER CHIMNEY	114186
5	RIGHT RECIRCULATING COVER	114187
6	LEFT RECIRCULATING COVER	114188
7	UPPER CHIMNEY	114189
8	PLUG	114190
9	CHIMNEY FIXING BRACKET	114191
10	SCREW	114192
11	RECIRCULATING CONNECTION	114193
12	RECIRCULATING SPIGOT	114194
13	RECIRCULATING CONNECT	114195
14	HINGE PIN	114196
15	SPOT SUPPORT	114197
16	MALE PLUG BOX 2 WAYS	114133
17	FEMALE PLUG BOX 2 WAYS	114134
18	LAMP HOLDER	114200
19	SPOT LIGHT SUPPORT	114132
20	HALOGEN LAMP 12V 20W	114005
21	CONNECTOR	114203
22	SWITCH ASSEMBLY	114205

APPROVED

ISSUE: B
ECN 3004

RICDW9
DISKO WALL CANOPY

ITEM	DESCRIPTION	PART NO
23	DISKO WALL MOTOR	114207
24	DIFFUSER BRACKET	114208
25	CABLE GUIDE	114169
26	CAGE NUT M4	114143
27	FIXING KIT	114211
28	PLUG	114190
29	ZINC PLATED SCREW	114163
30	CABLE CLAMP	114149
31	FEEDING CABLE COVER	114148
32	SLANTING FLANGE	114147
33	WIRINGS BOX SUPPORT	114170
34	BODY FIXING KNOB	114174
35	SCREW	114192
36	FANBOX	114220
37	CHARCOAL FILTER COVER	114221
38	POWER CORD	114222
39	MAIN CABLE BOX	114171
40	ELECTRONIC CIRCUIT BOARD	114172
41	MAIN CABLE BOX COVER	114173
42	MALE HOLDER BOX	114162
43	FEMALE HOLDER BOX	114161
44	TRANSFORMER (40 W)	114228

APPROVED

ISSUE: B
ECN 3004

**RICDW9
DISKO WALL CANOPY**

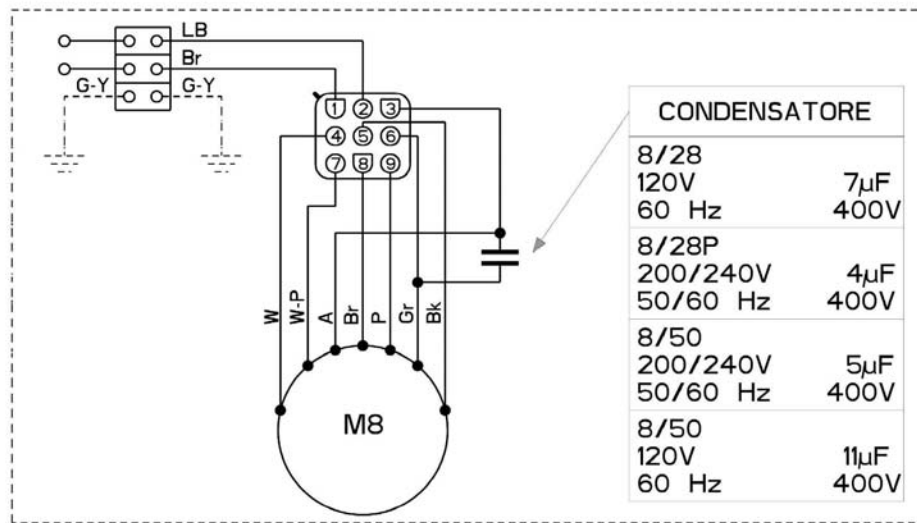
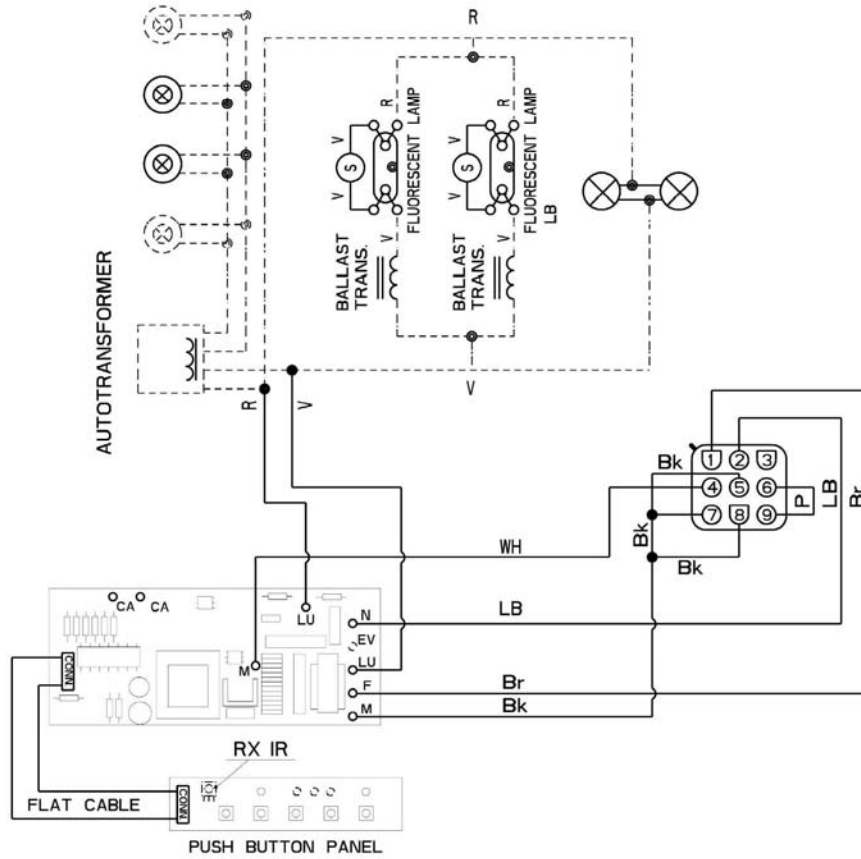
ITEM	DESCRIPTION	PART NO
45	M4 MOTOR SECURING NUT	114229
46	TRANSFORMER SUPPORT	114230
47	WASHER	114166
48	NUT	114167
49	PLUG	114233
50	CHARCOAL FILTER	114181
51	GLASS	114182

SOME COMPONENTS NOT AVAILABLE OUTSIDE PRODUCTION

APPROVED

ISSUE: B
ECN 3004

RICDW9 DISKO WALL CANOPY



APPROVED

ISSUE: B
ECN 3004