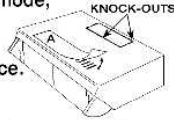


DUCTS

If the rangehood is installed in the recirculating mode, lift out and discard the louvre cover "A". If the rangehood is installed as a ducted unit, remove the appropriate duct knock-out (top or rear) and retain the exhaust cover in place. Refer to *Alternative Ducting Methods*.



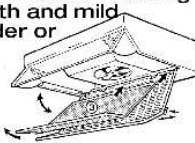
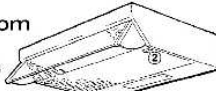
OPERATION

For Stainless steel models ensure plastic protective covering is removed from the unit before use. If the unit is used in the ducted mode use the plastic (peel and stick) exhaust cover "A" supplied, over the louvre slots. After your Rangehood is fixed in position:

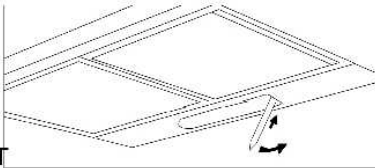
1. Check that the light and the diffuser are in place.
2. See that the filters are correctly positioned.
3. If exhaust cover is supplied ensure it is fitted in a ducted mode. Discard exhaust cover if a recirculating mode is being used.
4. Plug into 230/240V 3 pin outlet. Keep cord clear of stove elements or hot utensils. Permanent wiring to house supply, or modifications to plug or wire should be carried out by a registered electrician.

CLEANING

1. Disconnect the Rangehood from power supply.
2. Lift and slide catches inwards to release filter tray.
3. Wash aluminium filters every 2 or 3 months, depending on usage, with hot soapy water or in the dishwasher. These filters are permanent items and need to be cleaned regularly to ensure efficient grease absorption.
4. Charcoal filters are disposable items and should be replaced when cleaning the rangehood.
5. Clean the external and internal surfaces including the fan blades, using a damp cloth and mild detergent. Do not use any powder or abrasive cleaners.
6. Return filter to filter tray, hinge tray up and slide the catches outwards to lock tray in position.



LAMP REPLACEMENT

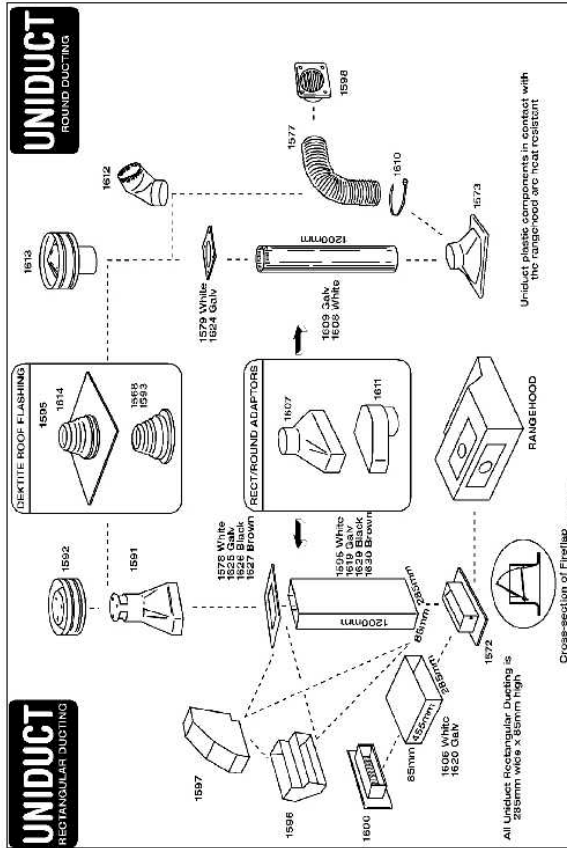


1. Disconnect the Rangehood from power supply.
2. Insert small screwdriver or slim knife as shown, ease catch to side and slip out the diffuser.
3. Replace lamp (40 watt max).
4. Slide diffuser back into aperture and 'click' into place.

PARTS AND SERVICE

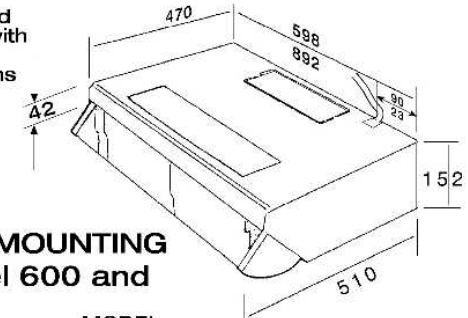
For Accessories, Parts or Services, please contact your local supplier or approved service agent. (Refer to the Warranty Certificate)

Robinhood RECOMMENDS UNIDUCT DUCTING SYSTEMS FOR RANGEHOODS

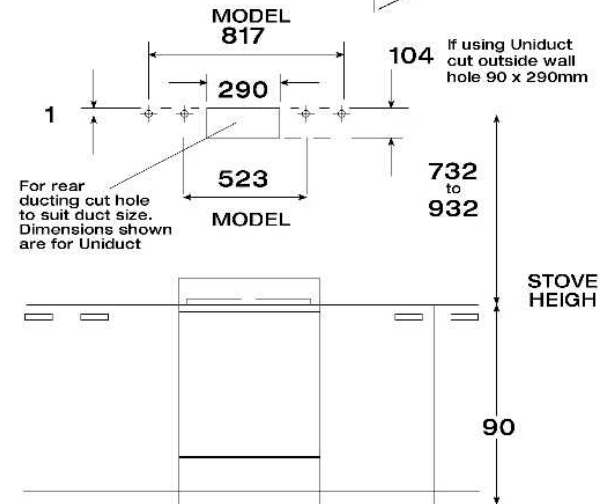


Robinhood INSTALLATION INSTRUCTIONS EUROPEAN

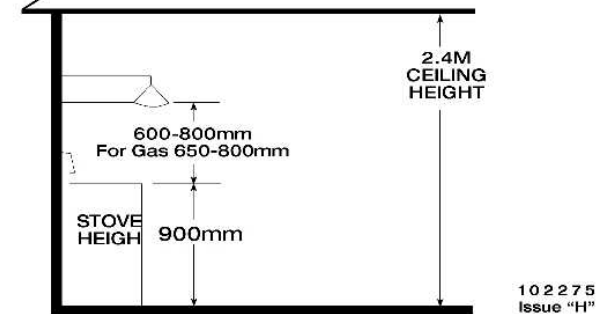
To be used together with mounting instructions



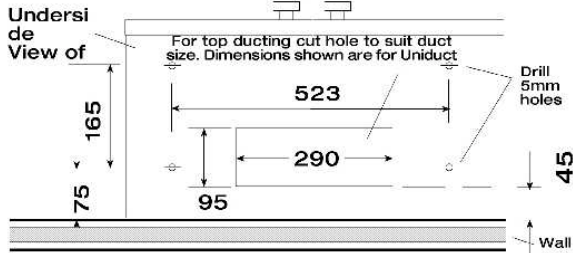
WALL MOUNTING Model 600 and



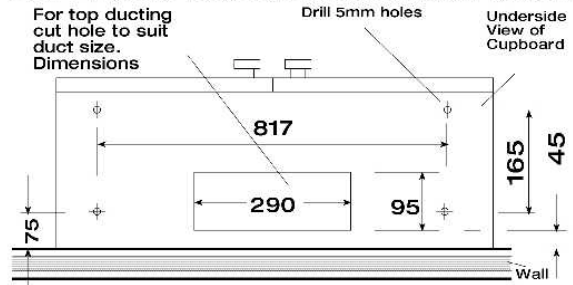
Robinhood
MANUFACTURED IN NEW
ZEALAND BY:
ROBINSON INDUSTRIES LIMITED
P.O. BOX 51 201, PAKURANGA
AUCKLAND, NEW ZEALAND
TEL: 64 (9) 274 5615



UNDERCUPBOARD MOUNTING

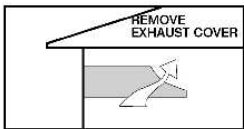


UNDERCUPBOARD MOUNTING Model

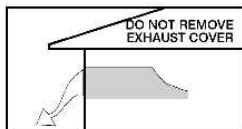


DUCTING OPTIONS

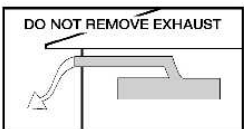
RECIRCULATING



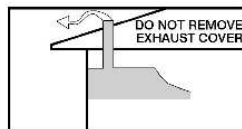
REAR DUCTED



FLEXIBLE DUCT FOR SIDE DUCTING



TOP DUCTED THROUGH ROOF

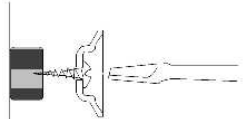


NOTE: when ducting

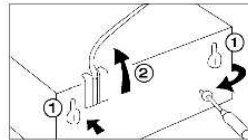
Exhaust air must not be discharged into any chimney or flue which may carry combustion products from other sources. In addition, exhaust air must not be discharged into a wall cavity, unless designed for the purpose.

MOUNTING OPTIONS

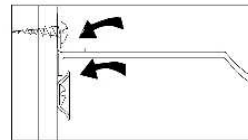
MOUNTING TO REAR WALL



DRILL HOLES AND MOUNT TWO CUP WASHERS AS SHOWN REFER WALL MOUNTING DETAIL

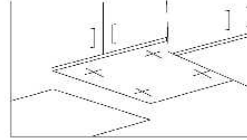


IF UNIT COMES WITH KNOCK-OUT - REMOVE SWIVEL POWER OUTLET TO T2

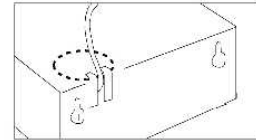


HOOK RANGEHOOD ONTO CUP WASHERS, FIX TOP BRACKET

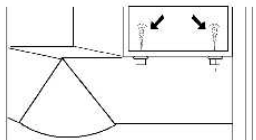
MOUNTING UNDER CUPBOARDS



DRILL FOUR HOLES AT POSITIONS INDICATED, REFER UNDER CUPBOARD MOUNTING

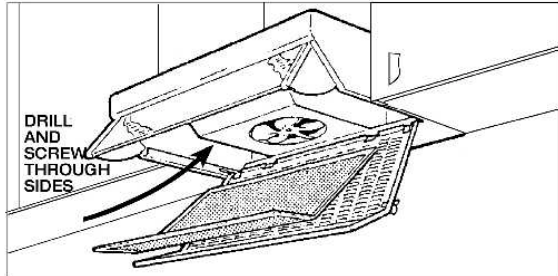


SWIVEL POWER OUTLET TO TOP, CUT HOLE IN CABINET TO SUIT



SCREW INTO PLASTIC INSERTS FROM INSIDE CUPBOARD

MOUNTING TO SIDE WALL OR SIDES OF CUPBOARDS

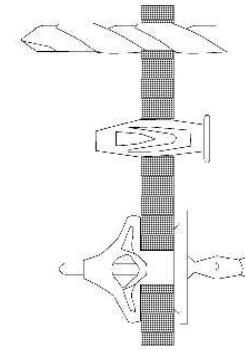


DRILL AND SCREW THROUGH SIDES

WALL MOUNTING DETAILS

FOR INSTALLATION OF PLUGS FOR WALL MOUNTING

1. Mark location of holes as per installation instructions.
2. Drill 8mm hole. Note: Do not use a screw driver to punch a hole in the base material.
3. Insert Plastic Toggle and tap with a hammer to ensure it is flush with the base material.



NOT FOR USE IN SOLID WALLS

FOR SOLID WALLS USE APPROPRIATE WALL PLUGS

WARNING

- This appliance is not intended for use by young children or infirm persons without supervision.
- Young children should be supervised to ensure that they do not play with the appliance.
- There shall be adequate ventilation of the room when the rangehood is used at the same time as appliances burning gas or other fuels.
- You must read the details concerning the method and frequency of cleaning.
- There is a fire risk if cleaning is not carried out in accordance with the instructions.
- Do not flambé under the rangehood.
- Exhaust air must not be discharged into a flue which is used for exhausting fumes from appliances burning gas or other fuels.
- The minimum distance between the hob surface and the lowest part of the rangehood. This distance shall be at least 650mm if the rangehood is installed over a gas hob.
- That regulations concerning the discharge of exhaust air have to be fulfilled.
- If the supply cord of this equipment is damaged, it must only be replaced by the manufacturer or its service agent or similarly qualified person in order to avoid a hazard.