

PRODUCT & TECHNICAL SHEET

Brand



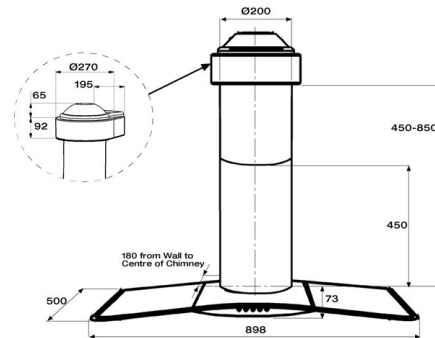
Model Number : RIWC9G
Model Description : Arco Wall Canopy – Glass
Colours : Stainless Steel and Glass
Sizes : 900mm



SPECIFICATIONS

TECHNICAL DATA :

- 20 watt halogen lights
- 180mm centrifugal fan motor 220 watt
- 240 Volt / 50 Hertz
- Tested to EMC AS/NZS4417 (radio frequency interference)
- Electrical approval AS3310-1992
- Performance tested to AS2682-1984



WEIGHT (kg) :

RIWC9G 24.0kg

CARTON DIMENSION (mm) :

520 x 970 x 600mm

Volume (m³) :

0.302

PERFORMANCE DATA :

	Max Airflow (m/hr ³)	Noise (dB)
Speed 1 top duct	240	48
Speed 2 top duct	320	52
Speed 3 top duct	550	62

FEATURES AND BENEFITS

FEATURES

- Stainless steel grain runs one way
- Push button for lights and speed selection
- Tempered tinted glass
- Safety rail
- Extra fine Micro Mesh filter
- Twin 20 watt halogen lights
- High performance in line centrifugal 3 speed motor with computer balanced steel blades and twin air intakes
- 2 piece adjustable stainless steel flue with optional extensions
- Ducted or recirculated
- 150mm exhaust outlet
- Safety thermal overload switch

BENEFITS

- Creates a superb finish
- Simple selection of required speed and easy to clean
- Latest European kitchen fashion
- Protects access to edge of glass
- Attractive styled filter which is dishwasher safe for easy cleaning
- Ensures perfect light dispersion over the entire cooking area
- Exceptional performance with a net airflow of 550cm³ tested to Australian Standards AS2682
- Can be adjusted to fit most kitchen situations
- Provides the option of external exhaust of odours or recirculating with a charcoal filter
- The larger outlet ensures greater volumes of air are expelled from the kitchen
- Provides peace of mind by automatically switching off if a fire occurs and thereby prevents the fire being sucked up into the ceiling

