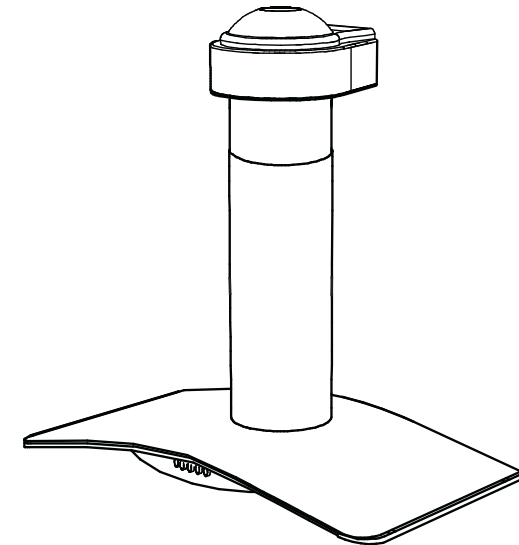
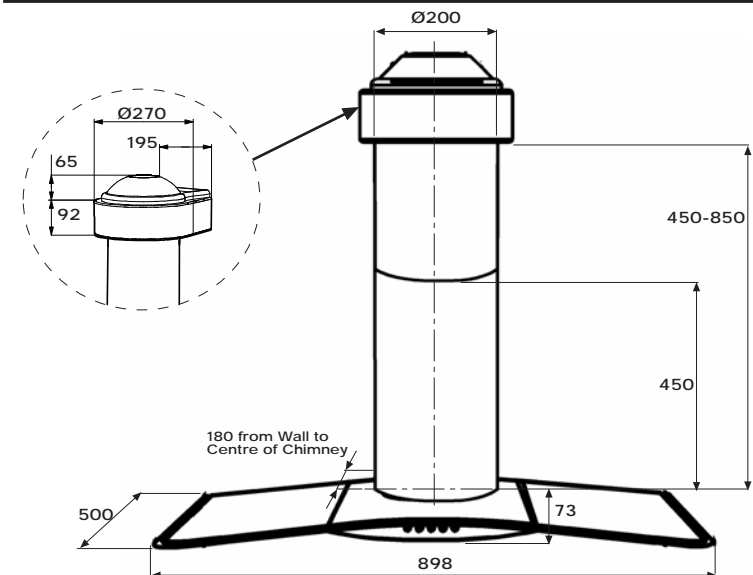


CANOPY INSTALLATION INSTRUCTION

RIWC9G



PRODUCT DIMENSIONS



All Dimensions are in millimeters

104473 Issue B
ECN: 07 007

Robinhood
RECOMMENDS UNIDUCT DUCTING
SYSTEMS FOR RANGEHOODS

UNIDUCT
RANGEHOOD DUCTING

distributed by
Robinson Industries Ltd
P.O. Box 51 201, Pakuranga
Auckland, New Zealand
TEL: 64 (9) 272 5129
FAX: 64 (9) 272 5148
ISO9001 Certified
email: enquiries@robinhood.co.nz

2 YEARS
WARRANTY

Visit our Website at:

www.robinhood.co.nz

for service of advice in Australia contact
Robinhood Pty Ltd A.C.N 079 616 550
P.O. Box 4189, Mulgrave
Victoria 3170

TEL: 1800 648 556
FAX: 1800 628 577
email: enquiries@robinhood.co.nz

Electrical Rating:
280W (1.16A) Max. at 240V 50Hz

CANOPY OPERATION

Thank you for purchasing a quality stainless steel canopy rangehood. We have a high standard of quality control and each rangehood is tested and approved before it leaves the factory.

IMPORTANT: Please read prior to installation or operation

- Always switch power off prior to installing, servicing or cleaning the appliance.
- Never use the appliance without filters.
- Please read the notes on general cleaning, especially the filters.
- Exhaust air must not be discharged into a heating flue or wall cavity. Unless the cavity is designed for that purpose.
- Areas where the rangehood is installed that also have gas oil or coal fired heaters, must be well ventilated to prevent a partial vacuum in the room. This includes gas hobs. (A partial vacuum in the room could result in too high a concentration of gas in the atmosphere).
- The appliance is supplied with an approved power cable which must not be changed. If the supply cord of this equipment is damaged, it must only be replaced by the manufacturer or its service agent or similarly qualified person in order to avoid hazard.

MAINTENANCE

Particular care must be taken with grease filters which must be periodically cleaned (at least every two months). Remove the grease filters and wash them either by hand or in the dishwasher using mild detergent. Use lukewarm water and mild detergent to clean stainless steel components. In high humidity and coastal environments, cleaning should be carried out frequently.

CAUTION: Never use products containing abrasive liquid cleaners etc.

USE

Care and attention should always be taken when cooking with oils, alcohol, etc; which give off flammable vapours.

Pre-used oil is especially dangerous in this respect.

Do not use uncovered electrical grill.

To avoid possible risks of fire always comply with the maintenance instruction above.


ATTENTION: This appliance must be earthed

When making the electrical connection, check that the socket has an earth connection and that the voltage values correspond to those indicated on the rating plate inside the appliance. The power socket connection is to be easily accessible after installation.


CONTROL PANEL

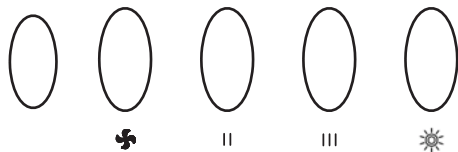
The hood is equipped with the following controls:

Button  = Light ON/OFF

Button  = Fan ON/OFF in first speed, suitable for a continuous change of air, to be used with little cooking steam.

Button  = Second speed, suitable in most conditions of use for its excellent ratio between quantity of treated air and noise level.

Button  = Third speed, suitable to cope with major cooking steam emissions even for long periods of time.



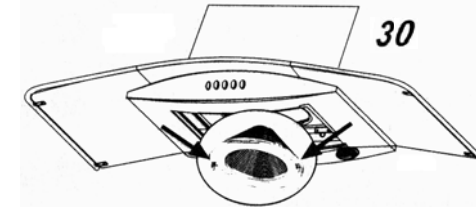
ACTIVATED CARBON FILTERS

1 - How they work

The activated carbon filter can hold odours until it reaches total saturation. It is not washable nor can it be re-used, but should be changed at least every 4 months or more often in case of intensive use.

2 - Replacement

Remove the antigrease filter and the activated carbon filter from its seat by acting on the hoods (fig. 30). Fit the new activated carbon filter and the metal antigrease filter.



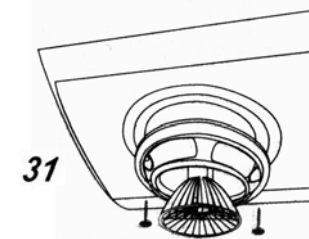
WARNING: Maintenance or replacement periods should be respected to avoid any fire hazards when the filters get saturated with grease.

LIGHT

1 - It consists of 2 20 W-halogen spotlights.

2 - Replacement (fig. 31)

Remove the two screws that lock the metal ring, take the spotlight out of its holder by pulling slightly. When replacing, make sure that both pins are well inserted in the holder seat.

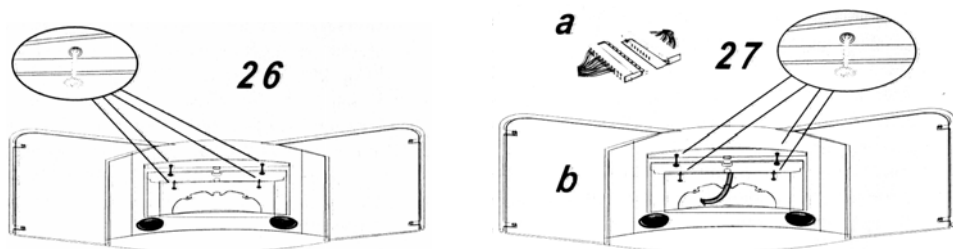


WARNING

- This appliance is not intended for use by young children or infirm persons without supervision.
- Young children should be supervised to ensure that they do not play with the appliance.
- There shall be adequate ventilation of the room when the rangehood is used at the same time as appliances burning gas or other fuels.
- You must read the details concerning the method and frequency of cleaning.
- There is a fire risk if cleaning is not carried out in accordance with the instructions.
- Do not flambé under the rangehood.
- Exhaust air must not be discharged into an existing flue which is used for exhausting fumes from appliances burning gas or other fuels.
- The minimum distance between the hob surface and the lowest part of the rangehood is 600mm. This distance shall be at least 650mm (recommended 700mm) if the rangehood is installed over a gas hob.
- Attention should be given to ensure that any applicable regulations concerning the discharge of exhaust air is fulfilled.
- If the supply cord of this equipment is damaged, it must only be replaced by the manufacturer or its service agent or similarly qualified person in order to avoid a hazard.

CONNECTION TO POWER SUPPLY AND CHECKING OF GOOD WORKING ORDER

- 1 - It is absolutely necessary to following the warnings, concerning safety measures.
- 2 - Loosen the two locking screws and remove the metal cover (fig. 26). Connect the hood connection to the motor connection (fig. 27a). Correctly place the connectors under the cover and tighten the two locking screws (fig. 27b).



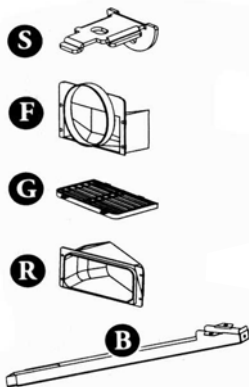
- 3 - Once electrical connection has been carried out, check that lights, motor and change of speed work.

- 4 - Fit the antiGrease filter (fig. 29) and the activated carbon filter (only for filter mode).

COMPONENTS

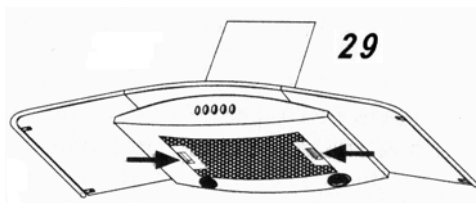
The rangehood is make up of the following components:

- 1 canopy complete with controls and lights
- 1 telescopic chimney stack complete with ducting fan unit
- 1 flange Ø150 F
- 1 venting Grill G;
- 1 ducting spigot R;
- 2 support rod B;
- 2 fixing kit containing:
1 wall bracket S and cover D to fix the canopy hood;
screws, rawl plugs and documentation.



METAL ANTIGREASE FILTER

- 1 - Cleaning
It is necessary to wash the filter at least every two months with a normal detergent; the compact size enables it to be washed in dishwasher.
- 2 - Replacement
Remove the antigrease filter as show in fig. 29.



INSTALLATION OF UNIT

(Read in conjunction with the following diagrams)

The unit is designed for 2.4 to 2.7 metre high ceiling.
Note: Ducting accessories are not supplied. Please refer to the optional ducting kits.
The air outlet from the ducting flange requires 150mm round ducting.

Before starting assembly, read the instructions carefully and remove the filters from canopy to allow access to wall mounting holes. To remove the filters, push the relative catch inward and tilting it downwards until it disengages from the supports. Reverse these instructions when refitting the filters.

NOTE: Stainless steel is very easily damaged during installation if abraided or knocked by tools.

WARNING

This hood has been designed to be wall-mounted above a cooking hob with one side resting against a wall. Because of the complexity and weight of the hood, its installation should be carried out by qualified staff, taking care to respect all local regulations on air discharge. The manufacturer cannot be found liable for any damage due to improper installation.

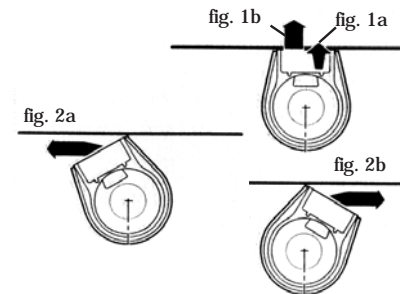
INSTALLATION

The versatility of the ducting fan units on this hood enables it to be installed in one of three different ways

- Air outlet directed upwards (ducting or recirculation fitting).
- Air outlet directed towards the wall (ducting fitting only).
- Air outlet directed to the right or left (ducting fitting only)

SELECTING THE TYPE OF INSTALLATION

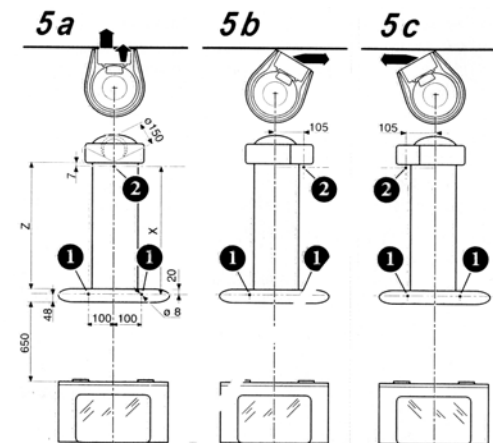
- 1-Air discharge towards the top
In this case the hood can be used either in recirculation mode or in duction mode (fig. 1a)
- 2-Air discharge towards the wall (fig 1b)
In this case the hood can only be used in recirculation mode.
- 3-Side air discharge, Lh or Rh (fig. 2a/b)
In this case the hood can only be used in ducted mode.



INSTALLATION ON THE HOOD CANOPY

1-Drilling the Wall

- (a) Using the template provided, mark on the wall the centres of holes 1 for fixing of the hood canopy. The centre of hole 2 for fixing the chimney, (fig. 5a) air outlet directed upwards or towards the wall, (fig. 5b-c) air outlet to the right or left hand side, must be marked at a distance X from the line between holes 1 (obtained by measuring the extension Z of the chimney required for installation plus 13 mm $X = Z + 20 - 7$). Using a Ø8 mm drill bit, drill the points marked in this way.
- (b) When installed with the air outlet directed towards the wall (fig. 5a), it will be necessary to drill an air ducting opening measuring Ø150 mm, according to the diameter of the flange F provided.

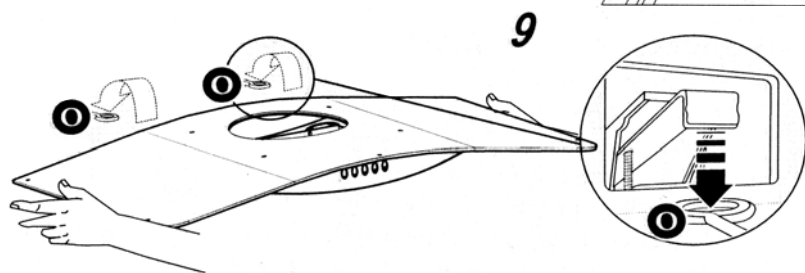
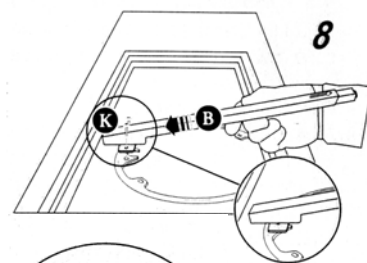
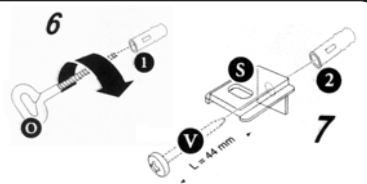


2-Fitting the fixing elements

- Insert the rawl plugs provided (or suitable anchors, if required) into holes 1 and 2.
- Fit the eye bolts O (Fig. 6).
- Fix the wall bracket S in hold 2 using the screw V provided (fig. 7).

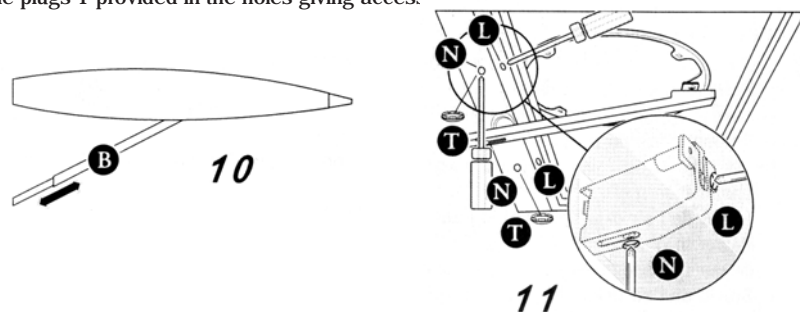
3-Fitting the canopy to the wall

- Remove the metal grease filter and the activated charcoal filter, if there is any.
- Fit the support rod B using the two screws provided K (fig. 8).
- Hook the canopy to the eye bolts O fixed in holes 1 (fig. 9).
- Adjust the support rod B so that it pushes against the wall (fig. 10).



- Adjusting position (fig. 11). There are two adjustable hooks at the rear of the hood, which can be used to adjust its position as follows:

- Turn the screws L until the position of screws N coincides with the lower access holes.
- Turn the screws N to adjust the vertical and horizontal position of the hood.
- Lock the screws L to fasten the hood against the wall.
- Insert the plugs T provided in the holes giving access to screws N.

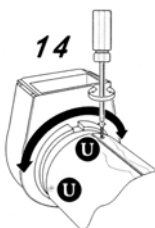


INSTALLATION OF THE CHIMNEY

1-Direction and position of the ducting fan unit

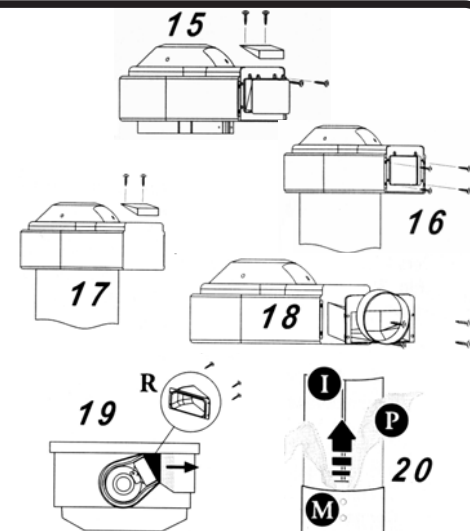
- The hood is normally supplied with the air outlet directed towards the wall, if it is to be installed with the air outlet directed to the right or left, it will be necessary to change the direction of the ducting fan unit, proceeding as follows:

- Unscrew the screws U (fig. 14).
- Turn the ducting fan unit 60° to the right or left;
- Replace the screws U.



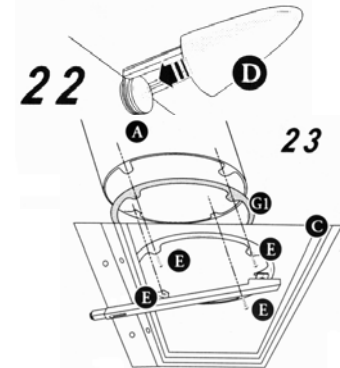
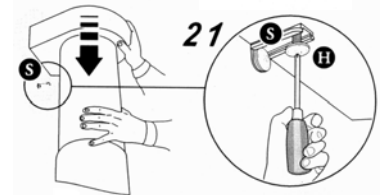
- The ducting fan unit air outlets must be arranged according to the type of installation to be carried out.

- Air outlet directed upwards (fig. 1a)
- Remove the plastic plug from the upper part of the venting grille and replace it on the rear part (fig. 15).
- Air outlet directed towards the wall (fig. 1b).
- Remove the plastic frame from the air outlet (fig. 16).
- Remove the plug from the upper part of the ducting fan unit (fig. 17), as it is not possible to insert the flange F with the plug in place.
- Fit the flange F Ø150 mm (fig. 18), replace the plug.
- Air outlet directed to the right or left hand side (fig. 2a-b)
- Remove the four screws fastening the plastic frame, as shown in fig. 16
- Fit the ducting spigot R (fig. 19) and replace the four screws removed as above.



2-Fixing the chimney

- Loosen the screws M fixing the two parts of the chimney and pull the inner section I (fig. 20) almost all the way out. Remove the protective film P.
- Rest the lower section of the chimney in its housing on the top of the canopy. Lower the ducting fan unit until it reaches the wall bracket S and fix it using the screw H provided (fig. 21). Fit the cover D (provided) on the wall bracket S (fig. 22).
- Insert gasket G1 (found in the accessory bag) on the base of chimney stack A, so that it adheres perfectly to the shape of chimney stack A. Then fix chimney stack A to the hood unit C using four of the screws provided E (fig. 23).
- Insert the transparent seal Q (provided), so as to eliminate any play between the two parts of the chimney (fig. 24). Lock the screws M (fig. 20).
- Remove the support rod B (fig. 10).



DUCTING OR RECIRCULATION FITTING

1-Ducting fitting.

This is possible for all forms of installation:

- Connect the air outlet to the external ducting system.
- Remove the activated charcoal filter (if there is one) inside the hood canopy

2-Recirculation fitting

This is only possible with the air outlet directed upwards. Fit the venting grille G on to the air outlet (fig. 25). The activated charcoal filter should be fitted inside the canopy after connection to the power supply.

