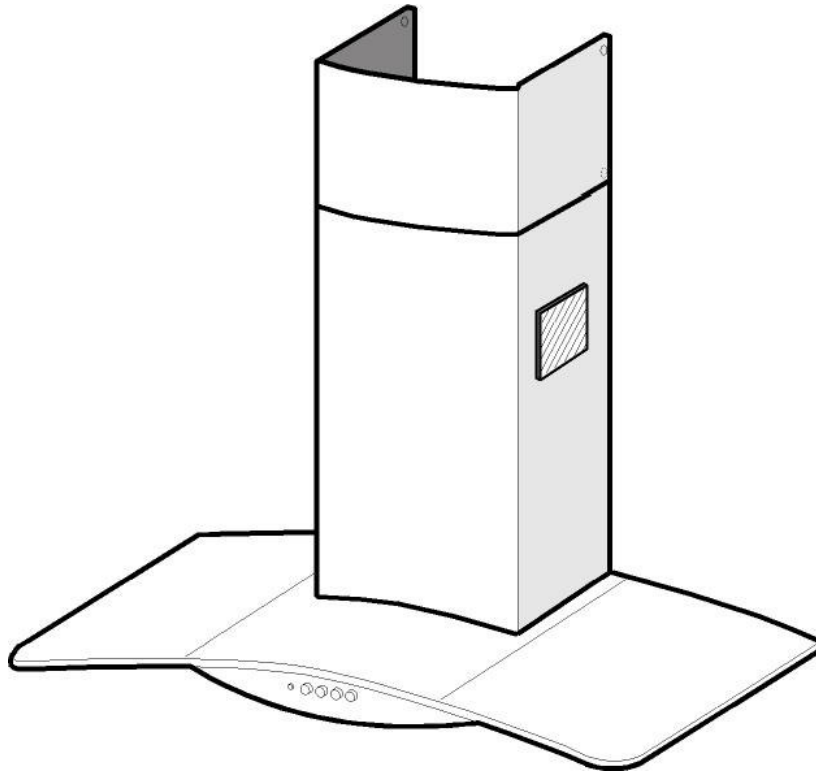


ARCO PLUS WALL



**CANOPY RANGE HOOD
MODEL
RIWC9PLUS**

APPROVED
ISSUE: B
ECN 07 033

Page 1 of 8

ARCO PLUS WALL

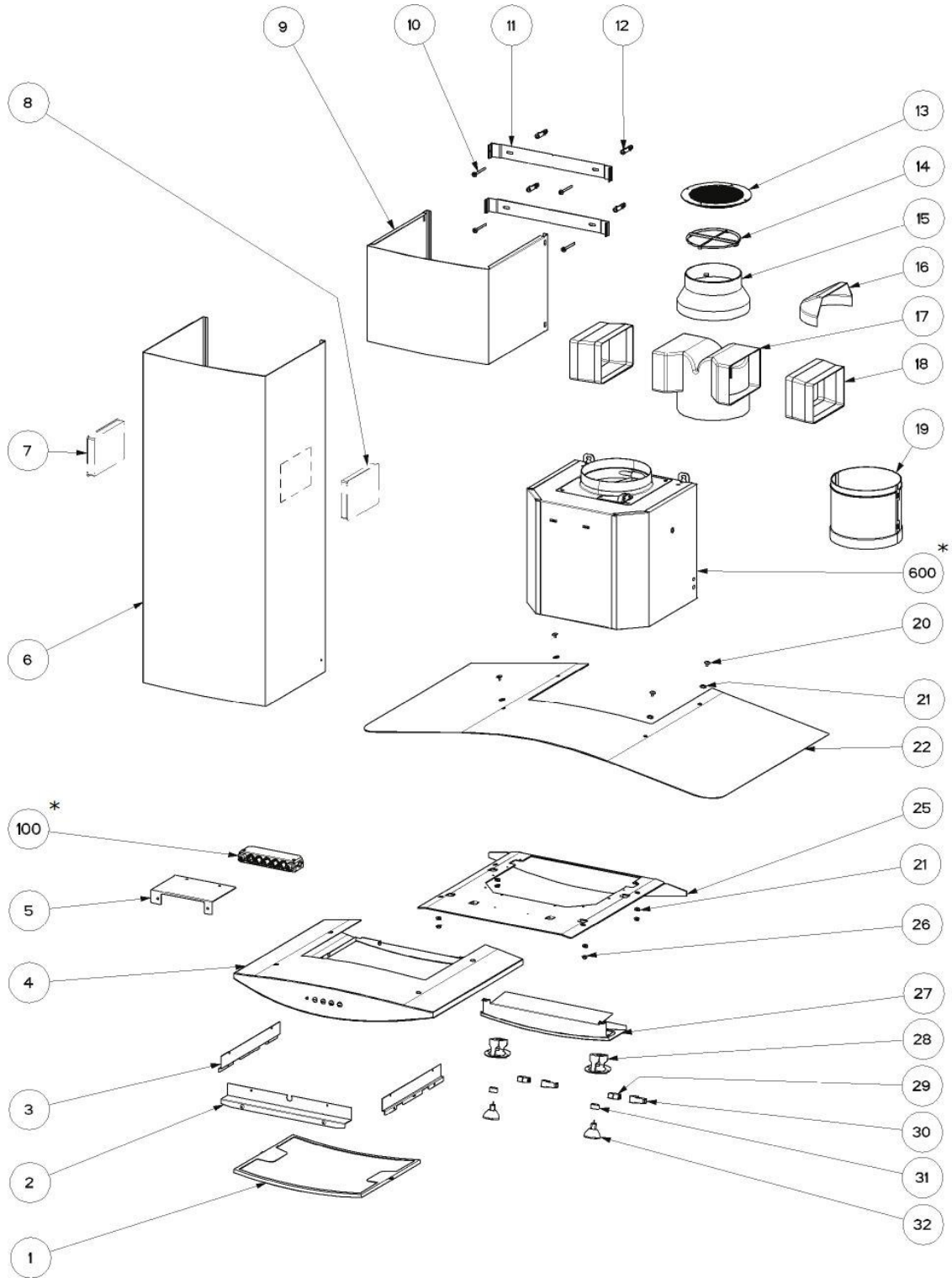
ITEM	DESCRIPTION	PART NUMBER
1	METAL FILTER ARCO CURVO	114253
6	LOWER CHIMNEY PLUS UAP745	114254
7	LEFT DIRECTIONAL GRID	114188
8	RIGHT DIRECTIONAL GRID	114187
9	UPPER CHIMNEY PLUS H215	114255
12	PLUG S8	114190
18	SPACER RICICLING CONNECTION	114193
19	RICICLING CONNECT. PARTICULAR	114195
22	ARCO PLUS WALL GLASS	114257
27	SPOT LIGHT SUPPORT	114258
28	SPOT LIGHT SUPPORT X DIRECT	114006
29	FEMALE PLUG BOX 2 WAYS	114017
30	MALE PLUG BOX 2 WAYS	114009
31	LAMP HOLDER	114007
32	HALOGEN LAMP 12V 20W	114005
100	SWITCH ASSEMBLY	114259
102	PUSH BUTTON PANEL BOX COVER	114041
103	M8 PUSH BUTTON PANEL (220V)	114042
104	PUSH BUTTON BOX	114043
105	PILOT LAMP	114260
106	BUTTON 0-1 CR SAT D8	114261
107	PLUG 2-3V CR SAT D8	114262
110	PUSH BUTTON FRAME	114263
300	MOTOR ASSEMBLY	114264
304	CONDENSER 4MF 400V	114265
310	SX D140 M8 ROTOR	114266

ARCO PLUS WALL

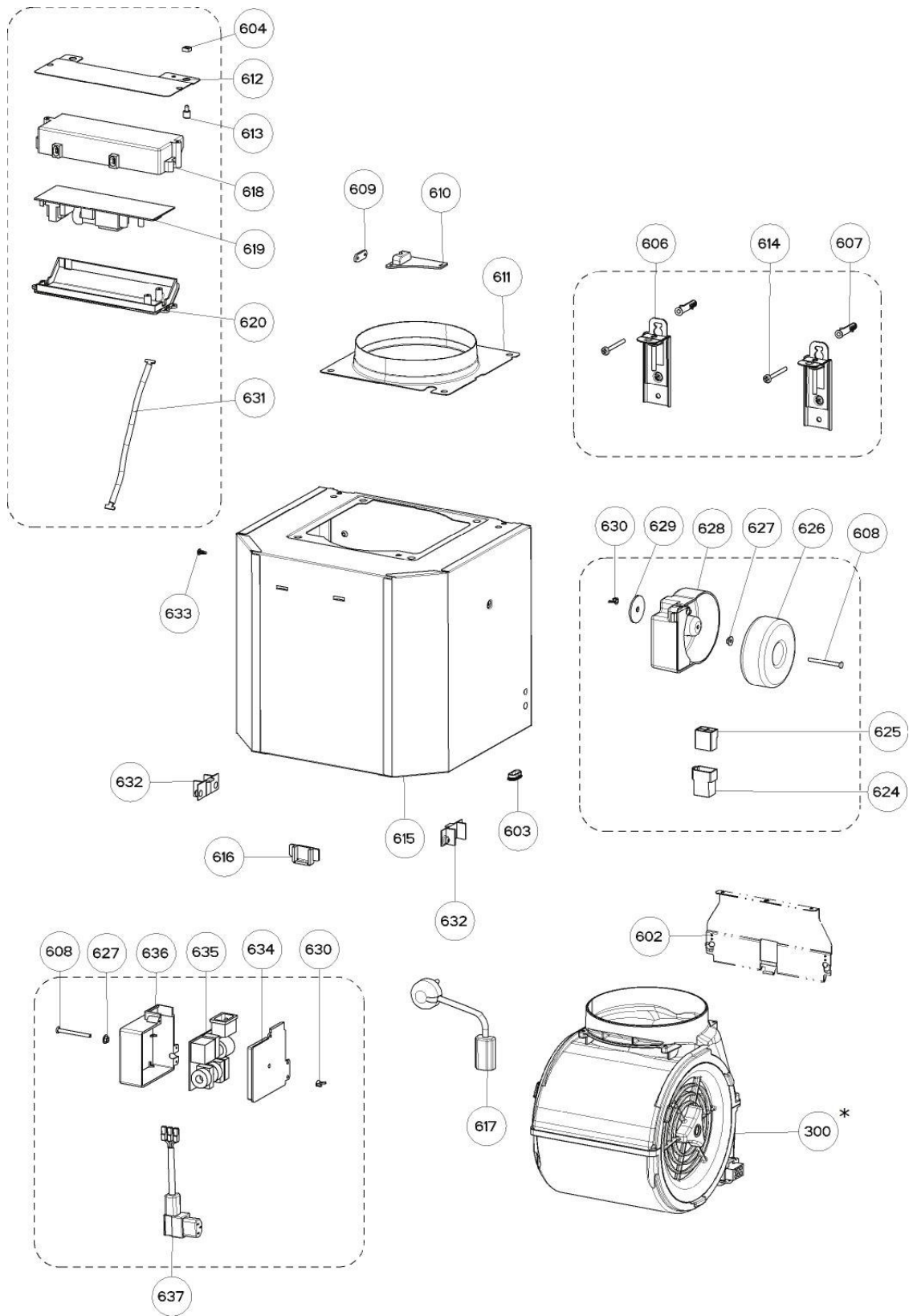
ITEM	DESCRIPTION	PART NUMBER
314	DX D140 M8 ROTOR	114267
316	AIR ENTRY RIGHT FLANGE	114268
320	AIR ENTRY LEFT FLANGE	114269
600	POWER PACK STILO/2 PRO/HI-LO	114270
606	FIXING KIT	114211
626	TRANSFORMER 40VA (40W)	114228

SOME COMPONENTS ARE NOT AVAILABLE OUTSIDE PRODUCTION.

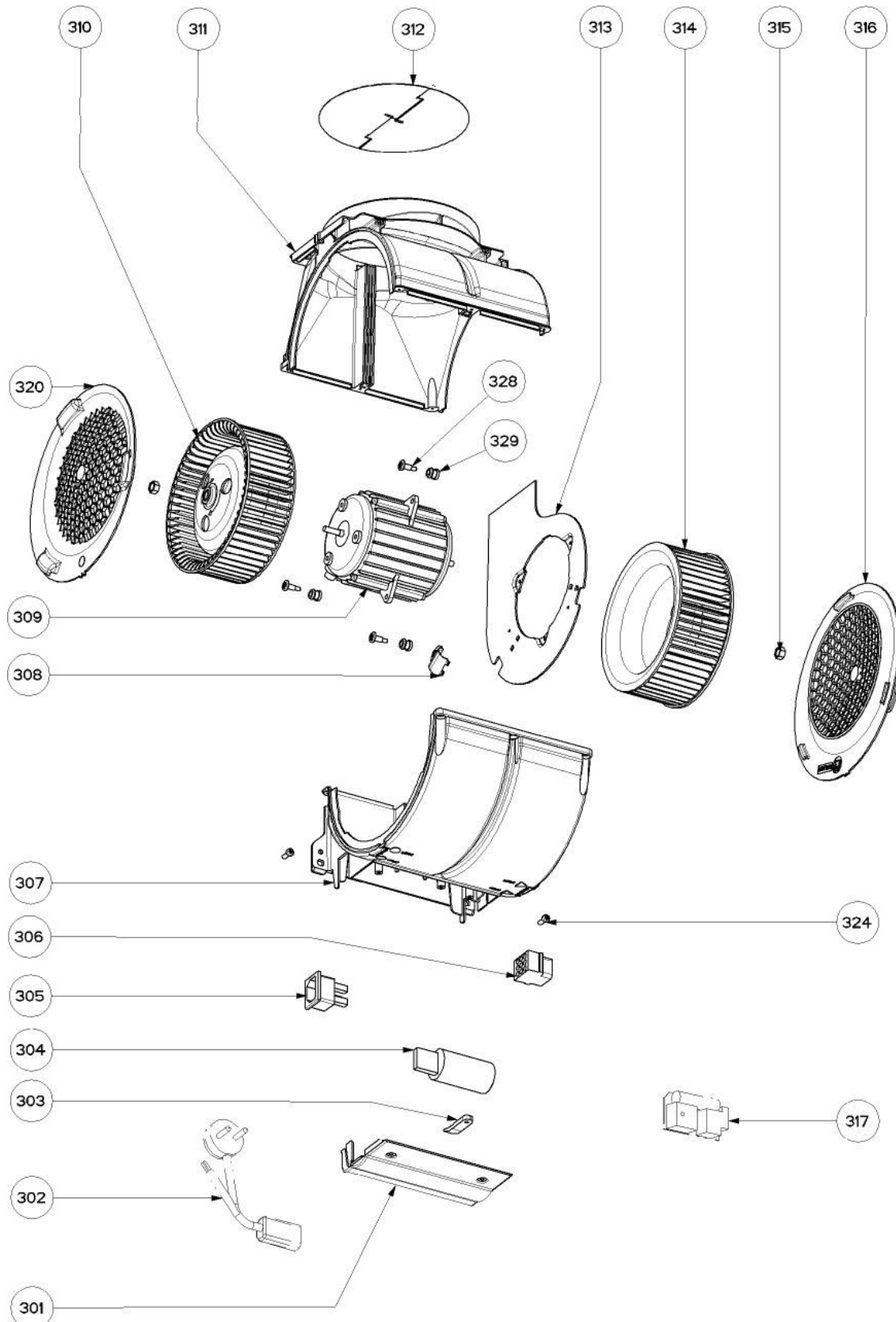
ARCO PLUS WALL



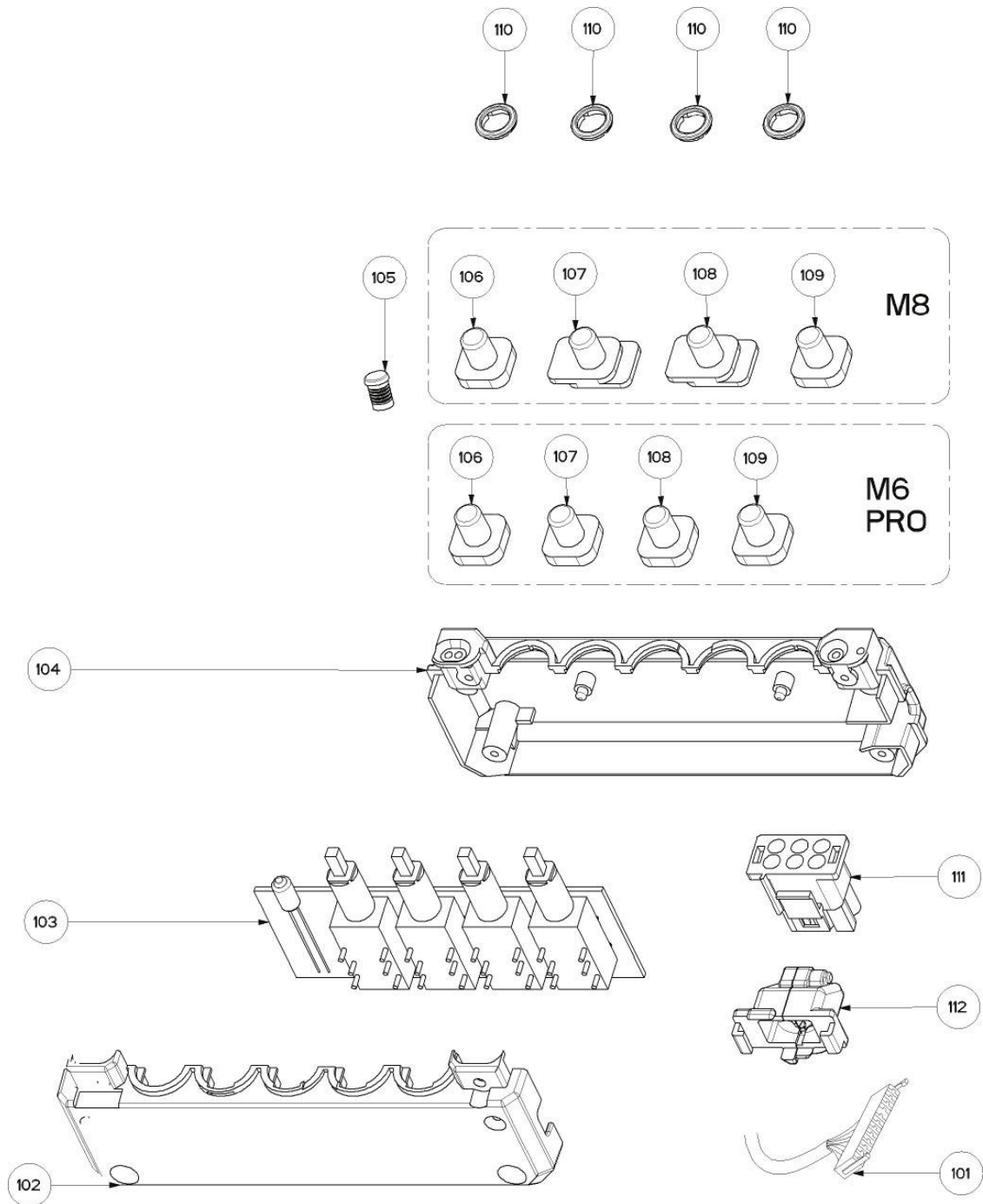
ARCO PLUS WALL



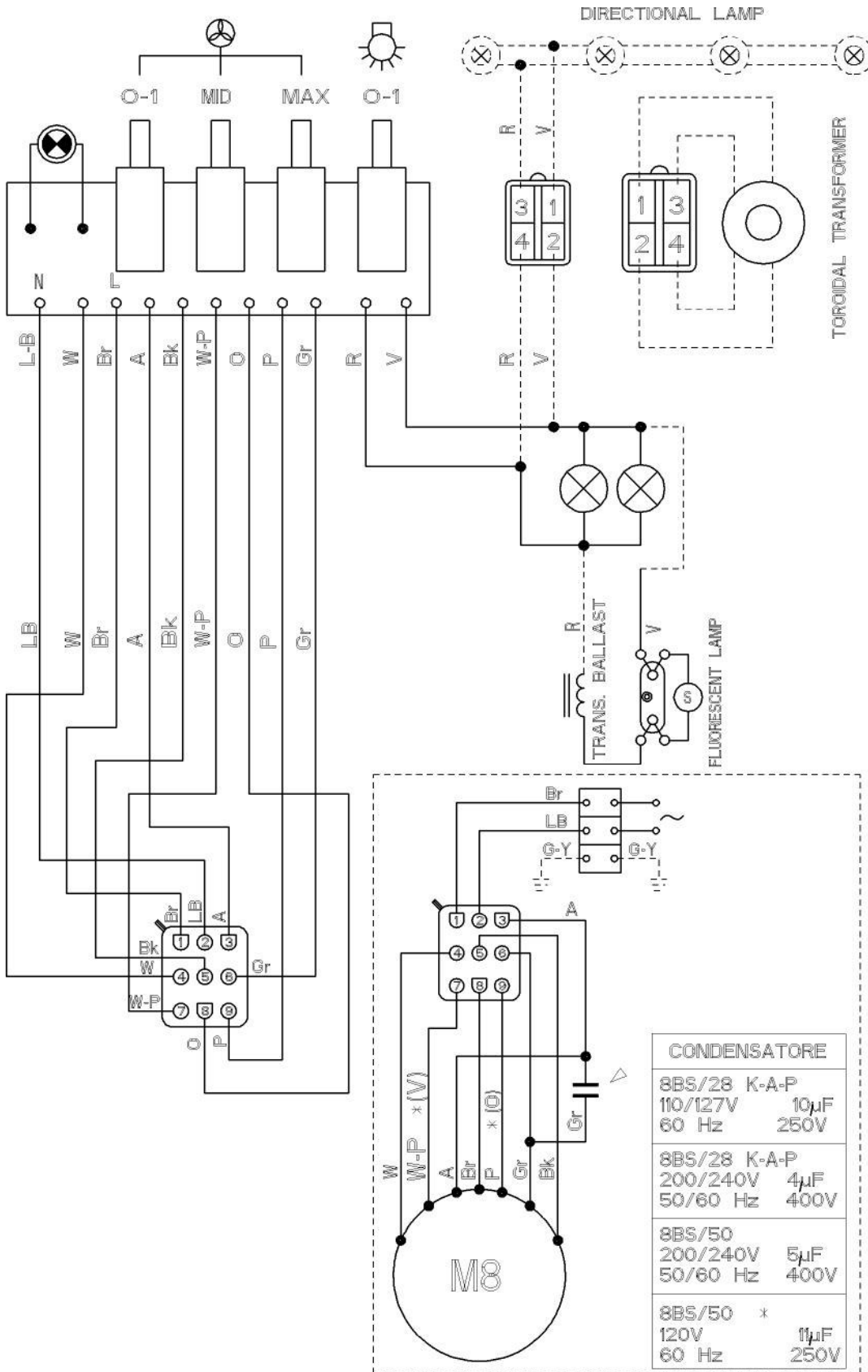
ARCO PLUS WALL



ARCO PLUS WALL



ARCO PLUS WALL



APPROVED
 ISSUE: B
 ECN 07 033