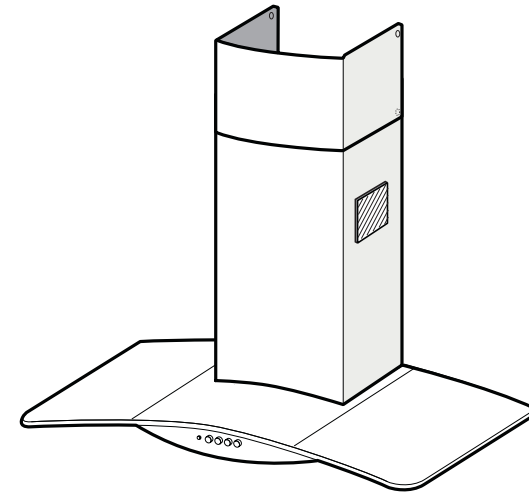
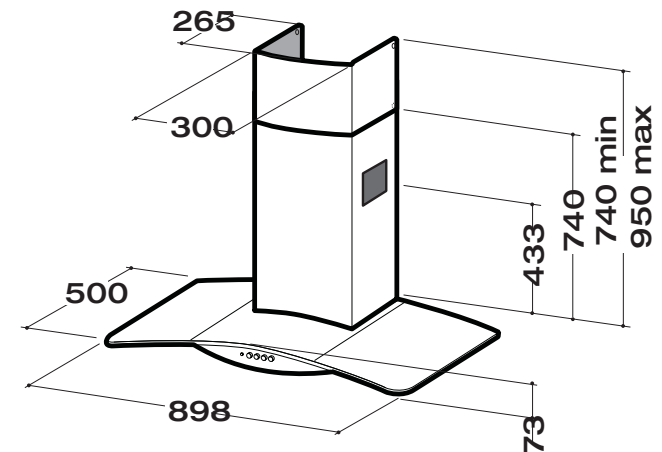


CANOPY INSTALLATION INSTRUCTION

RIWC9PLUS



PRODUCT DIMENSIONS



All Dimensions are in millimeters

104628 Issue C
ECN: 07 007

 Robinhood

RECOMMENDS UNIDUCT DUCTING
SYSTEMS FOR RANGEHOODS

UNIDUCT
RANGEHOOD DUCTING

distributed by
Robinhood Ltd.
P.O. Box 51 201, Pakuranga
Auckland, New Zealand
TEL: 64 (9) 272 5129
FAX: 64 (9) 272 5148
ISO9001 Certified
email: enquiries@robinhood.co.nz

**2 YEARS
WARRANTY**

Visit our Website at:

 www.robinhood.co.nz

for service of advice in Australia contact

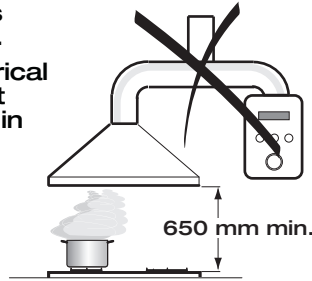
Robinhood Aus.Pty Ltd
A.C.N 079 616 550
P.O. Box 4189, Mulgrave
Victoria 3170
TEL: 1800 648 556
FAX: 1800 628 577
email: enquiries@robinhood.co.nz

Electrical Rating:
205W (0.85A) Max. at 240V 50Hz

RECOMMENDATIONS AND SUGGESTIONS

INSTALLATION

- The manufacturer will not be held liable for any damages resulting from incorrect or improper installation.
- The minimum safety distance between the cooker top and the extractor hood is 650 mm (if over gas cooker 700mm).
- Check that the mains voltage corresponds to that indicated on the rating plate fixed to the inside of the hood.
- Check that the domestic power supply guarantees adequate earthing.
- Connect the extractor to the exhaust flue through a pipe of minimum diameter 150 mm. The route of the flue must be as short as possible.
- Do not connect the extractor hood to exhaust ducts carrying combustion fumes (boilers, fireplaces, etc).
- If the extractor is used in conjunction with non-electrical appliances (e.g. gas burning appliances), a sufficient degree of aeration must be guaranteed in the room in order to prevent the backflow of exhaust gas. The kitchen must have an opening communicating directly with the open air in order to guarantee the entry of clean air.



USE

- The extractor hood has been designed exclusively for domestic use to aid in the removal of kitchen smells.
- Never use the hood for purposes other than for which it has been designed.
- Never leave high naked flames under the hood when it is in operation.
- Adjust the flame intensity to direct it onto the bottom of the pan only, making sure that it does not engulf the sides.
- Deep fat fryers must be continuously monitored during use: overheated oil can burst into flames.
- The hood should not be used by children or persons not instructed in its correct use.
- This appliance is not intended for use by young children or infirm persons without supervision.



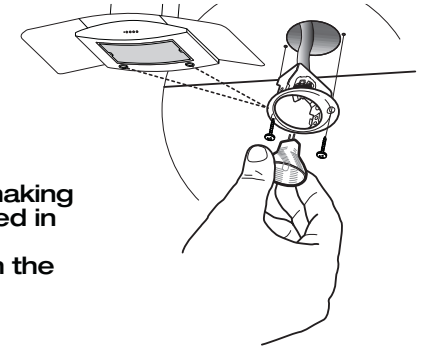
MAINTENANCE

- Switch off or unplug the appliance from the mains supply before carrying out any maintenance work.
- Clean and/or replace the Filters after the specified time period.
- Clean the hood using a damp cloth and a neutral liquid detergent.

Lighting

LIGHT REPLACEMENT

- 20 W, 12 V halogen light.
- Turn power off.
- Remove the 2 Screws fixing the Lighting support, and pull it out of from the Hood.
- Extract the Lamp from the Support.
- Replace with another of the same type, making sure that the two pins are properly inserted in the lamp holder socket holes.
- Replace the Support, fixing it in place with the two Screws removed as above.

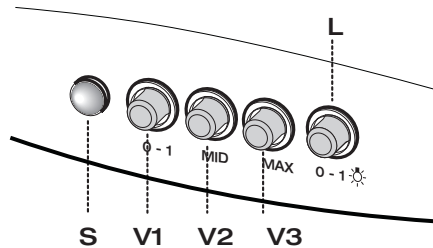


WARNING

- This appliance is not intended for use by young children or infirm persons without supervision.
- Young children should be supervised to ensure that they do not play with the appliance.
- There shall be adequate ventilation of the room when the rangehood is used at the same time as appliances burning gas or other fuels.
- You must read the details concerning the method and frequency of cleaning.
- There is a fire risk if cleaning is not carried out in accordance with the instructions.
- Do not flambé under the rangehood.
- Exhaust air must not be discharged into an existing flue which is used for exhausting fumes from appliances burning gas or other fuels.
- The minimum distance between the hob surface and the lowest part of the rangehood shall be at least 650mm. If the rangehood is installed over a gas hob, the minimum distance shall be 700mm.
- Attention should be given to ensure that any applicable regulations concerning the discharge of exhaust air is fulfilled.

USE

Control panel



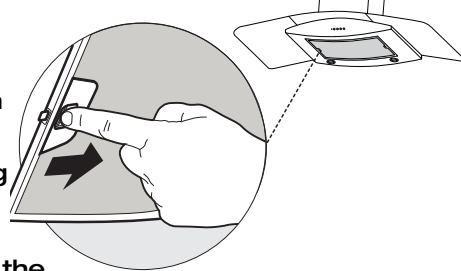
- L Light** Switches the lighting system on and off.
- S Led** Motor running led.
- V1 Motor** Switches the extractor motor on and off at low speed. Used to provide a continuous and silent air change in the presence of light cooking vapours.
- V2 Speed** Medium speed, suitable for most operating conditions given the optimum treated air flow/noise level ratio.
- V3 Speed** Maximum speed, used for eliminating the highest cooking vapour emission, including long periods.

MAINTENANCE

Grease filters

CLEANING GREASE FILTERS

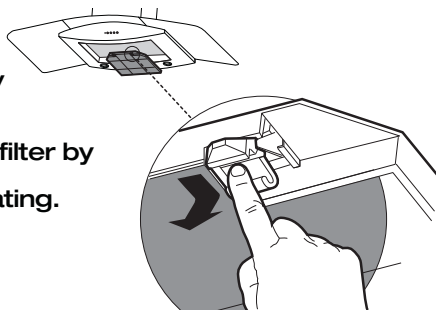
- The filters should be cleaned every two months of operation, or more frequently with heavy usage, and can be washed in a dishwasher.
- Remove the filters by pushing them towards the back of the group and pulling down at the same time.
- Wash the filters, taking care not to bend them. Allow them to dry before refitting.
- When refitting the filters, make sure that the handle is visible on the outside.



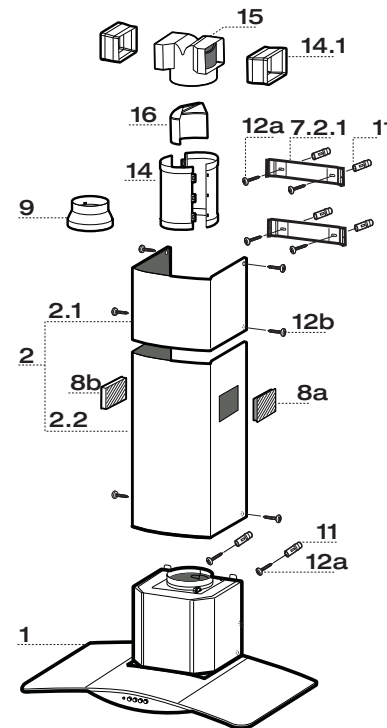
Activated charcoal filter (Recirculation version)

REPLACING THE ACTIVATED CHARCOAL FILTER

- This filter is not washable and cannot be regenerated, and must be replaced approximately every four months of operation, or more frequently with heavy usage.
- Remove the metal grease filters.
- Remove the saturated activated carbon filter by releasing the fixing hooks.
- Fit the new filter by hooking it into its seating.



COMPONENTS



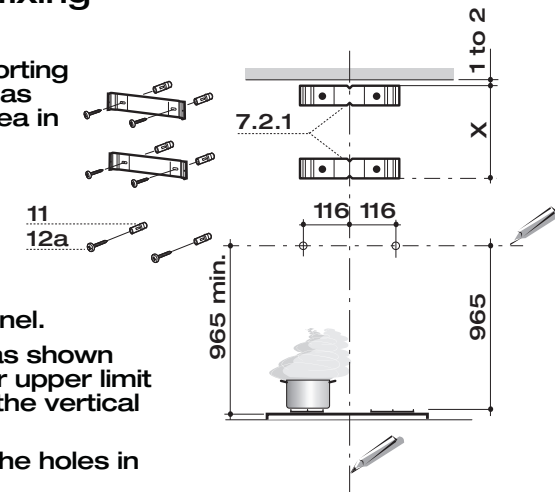
Ref.	Q.ty	Product Components
1	1	Hood Body, complete with: Controls, Light, Blower, Filters
2	1	Telescopic Chimney comprising:
2.1	1	Upper Section
2.2	1	Lower Section
8a	1	Right Air Outlet Grill
8b	1	Left Air Outlet Grill
9	1	Reducer Flange ϕ 150-120 mm
14	1	Hood Body Air Outlet Extension Piece consisting of two Half Shells
14.1	1	Air Outlet Connection Extension
15	1	Air Outlet Connection
16	1	Air Outlet Deflector
Ref.	Q.ty	Installation Components
7.2.1	2	Upper Chimney Section Fixing Brackets
11	6	Wall Plugs
12a	6	Screws 4,2 x 44,4
12b	4	Screws 3,2 x 6,0
12c	6	Screws 2,9 x 6,5
Q.ty	Documentation	
1	Instruction Manual	
1	Warranty	

INSTALLATION

Wall drilling and bracket fixing

Wall marking:

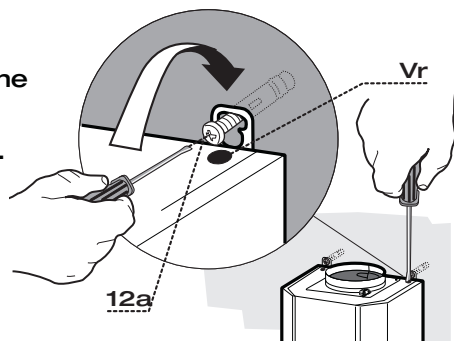
- Draw a vertical line on the supporting wall up to the ceiling, or as high as practical, at the centre of the area in which the hood will be installed.
- Draw a horizontal line at:
 - 965 mm above the hob for installation without the back panel,
 - 965 mm above the surface on which the pack panel rests, for installation with the back panel.
- Place bracket 7.2.1 on the wall as shown about 1-2 mm from the ceiling or upper limit aligning the centre (notch) with the vertical reference line.
- Mark the wall at the centres of the holes in the bracket.
- Place bracket 7.2.1 on the wall as shown at X mm below the first bracket (X = height of the upper chimney section supplied), aligning the centre (notch) with the vertical line.



- Mark the wall at the centres of the holes in the bracket.
- Mark a reference point on the horizontal reference line, 116 mm from the vertical reference line (as indicated on page 3).
- Repeat this operation on the other side.
- Drill \varnothing 8 mm holes at all the centre points marked.
- Insert the wall plugs 11 in the holes.
- Fix the brackets using the 12a (4,2 x 44,4) screws supplied.
- Insert the two screws 12a (4,2 x 44,4) supplied in the hood body fixing holes, leaving a gap of 5-6 mm between the wall and the head of the screw.

Mounting the hood body

- Before attaching the hood body, tighten the two screws Vr located on the hood body mounting points.
- Hook the hood body onto the screws 12a.
- Fully tighten support screws 12a.
- Adjust screws Vr to level the hood body.



Connections

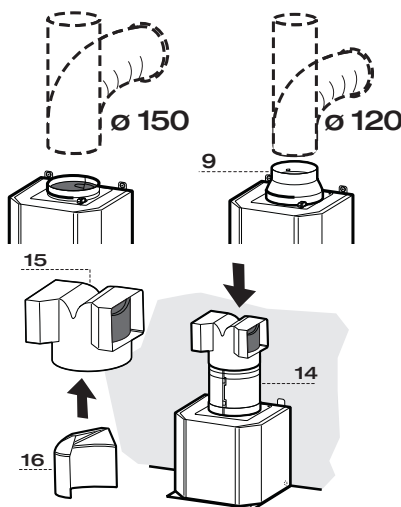
DUCTED VERSION

When installing the ducted version, connect the hood to the chimney using either a flexible or rigid pipe \varnothing 150 or 120 mm, the choice of which is left to the installer.

- To install a \varnothing 120 mm air exhaust connection, insert the reducer flange 9 on the hood body outlet.
- Fix the pipe in position using sufficient pipe clamps, cable ties or ductape (not supplied).
- Remove any activated charcoal filters.

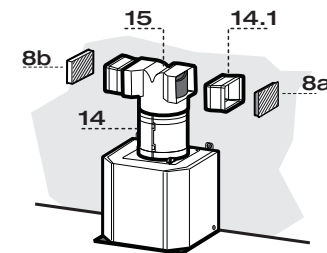
Lateral air exhaust on ducted version (connection to exhaust flue above wall cupboards)

- Assemble the half-shells of the hood body extension piece 14.
- Push fit the assembled hood body extension 14 onto the air exhaust outlet.
- Insert the deflector 16 into the air exhaust fitting 15 to close off the unused outlet.
- Push fit connection piece 15 to the hood body extension piece 14, ensuring that the free end matches up with the opening of the required outlet duct.
- Remove any activated charcoal filters (if fitted).



RECIRCULATION VERSION

- Assemble the two halves of the hood body extension piece 14.
- Push fit the assembled hood body extension piece 14 onto the air outlet.
- Push fit connection 15 onto the hood body extension piece 14.
- Insert the connection extension pieces laterally 14.1 in connection 15.
- Make sure that the outlet of the extension pieces 14.1 is horizontally and vertically aligned with the chimney outlets. If this is not the case, adjust the position by either reversing the connection extension pieces 14.1 or by cutting the hood body extension 14 along one of the thinner section channels denoting the pre-fixed lengths, then reassemble as described previously.
- The air outlet directional grills 8a - 8b must be fitted after the lower outlet duct 2.2 has been installed.
- It is recommended that the activated charcoal filters are fitted.



ELECTRICAL CONNECTION

- Connect the hood to the mains.

Flue assembly

Upper exhaust flue

- Slightly widen the two sides of the upper flue and hook them behind the brackets 7.2.1, making sure that they are well seated.
- Secure the sides to the brackets using the 4 screws 12c (2,9 x 6,5) supplied.

Lower exhaust flue

- Slightly widen the two sides of the flue and hook them between the upper flue and the wall, making sure that they are well seated.
- Fix the lower part laterally to the hood body using the 2 screws 12c (2,9 x 6,5) supplied.
- On the recirculation version, fit the directional grids 8a - 8b in their housings making sure that the directional symbols are towards the top and front of the hood. Also make sure that they are correctly inserted in the connection extension pieces 14.1.

