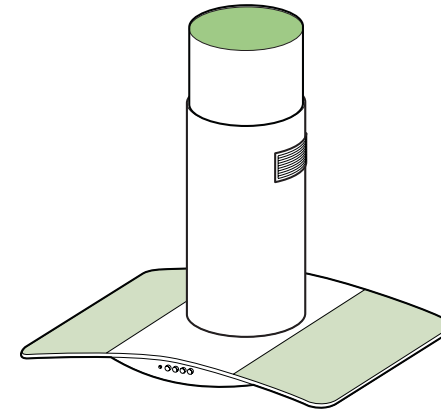


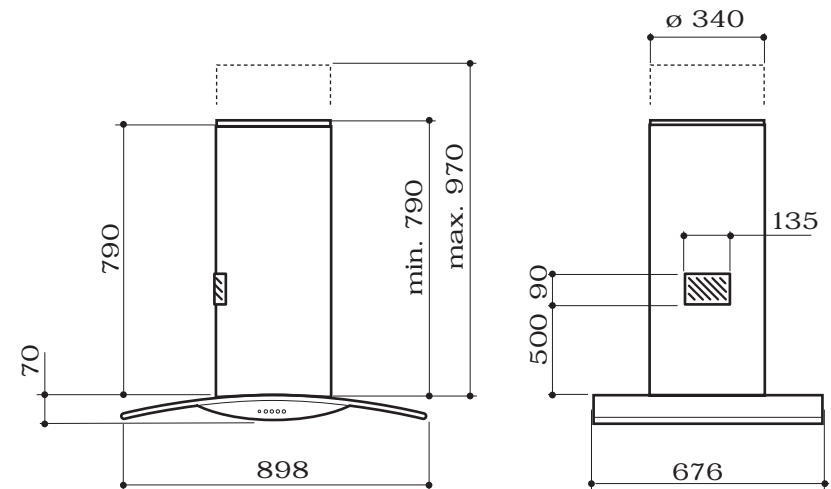
# Robinhood

## CANOPY INSTALLATION INSTRUCTION

RIIC9PLUS



## PRODUCT DIMENSIONS



All Dimensions are in millimeters

104629 Issue C  
ECN: 07 007.

 **Robinhood**  
RECOMMENDS UNIDUCT DUCTING  
SYSTEMS FOR RANGEHOODS

**UNIDUCT**  
RANGEHOOD DUCTING

distributed by  
Robinhood Ltd.  
P.O. Box 51 201, Pakuranga  
Auckland, New Zealand  
TEL: 64 (9) 272 5129  
FAX: 64 (9) 272 5148  
ISO9001 Certified  
email: enquiries@robinhood.co.nz

for service of advice in Australia contact

Robinhood Aus. Pty Ltd  
A.C.N 079 616 550  
P.O. Box 4189, Mulgrave  
Victoria 3170

TEL: 1800 648 556  
FAX: 1800 628 577  
email: enquiries@robinhood.co.nz

**2 YEARS**  
WARRANTY

Visit our Website at:

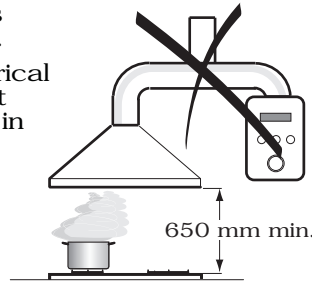
 [www.robinhood.co.nz](http://www.robinhood.co.nz)

Electrical Rating:  
270W (1.12A) Max. at 240V 50Hz

# RECOMMENDATIONS AND SUGGESTIONS

## INSTALLATION

- The manufacturer will not be held liable for any damages resulting from incorrect or improper installation.
- The minimum safety distance between the cooker top and the extractor hood is 650 mm (if over gas cooker, 700mm).
- Check that the mains voltage corresponds to that indicated on the rating plate fixed to the inside of the hood.
- Check that the domestic power supply guarantees adequate earthing.
- Connect the extractor to the exhaust flue through a pipe of minimum diameter 150 mm. The route of the flue must be as short as possible.
- Do not connect the extractor hood to exhaust ducts carrying combustion fumes (boilers, fireplaces, etc).
- If the extractor is used in conjunction with non-electrical appliances (e.g. gas burning appliances), a sufficient degree of aeration must be guaranteed in the room in order to prevent the backflow of exhaust gas. The kitchen must have an opening communicating directly with the open air in order to guarantee the entry of clean air.



## USE

- The extractor hood has been designed exclusively for domestic use to aid in the removal of kitchen smells.
- Never use the hood for purposes other than for which it has been designed.
- Never leave high naked flames under the hood when it is in operation.
- Adjust the flame intensity to direct it onto the bottom of the pan only, making sure that it does not engulf the sides.
- Deep fat fryers must be continuously monitored during use: overheated oil can burst into flames.
- The hood should not be used by children or persons not instructed in its correct use.
- This appliance is not intended for use by young children or infirm persons without supervision.



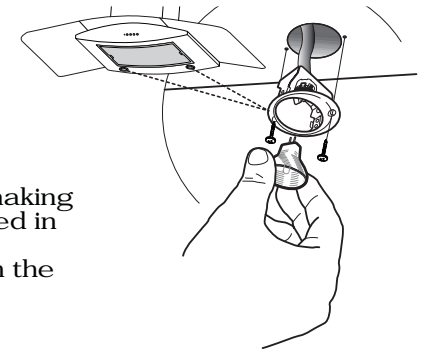
## MAINTENANCE

- Switch off or unplug the appliance from the mains supply before carrying out any maintenance work.
- Clean and/or replace the Filters after the specified time period.
- Clean the hood using a damp cloth and a neutral liquid detergent.

## Lighting

### LIGHT REPLACEMENT

- 20 W, 12 V halogen light.
- Turn power off.
- Remove the 2 Screws fixing the Lighting support, and pull it out of from the Hood.
- Extract the Lamp from the Support.
- Replace with another of the same type, making sure that the two pins are properly inserted in the lamp holder socket holes.
- Replace the Support, fixing it in place with the two Screws removed as above.

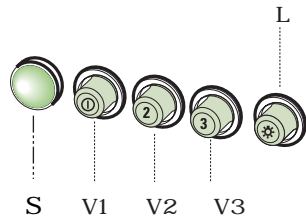


## WARNING

- This appliance is not intended for use by young children or infirm persons without supervision.
- Young children should be supervised to ensure that they do not play with the appliance.
- There shall be adequate ventilation of the room when the rangehood is used at the same time as appliances burning gas or other fuels.
- You must read the details concerning the method and frequency of cleaning.
- There is a fire risk if cleaning is not carried out in accordance with the instructions.
- Do not flambé under the rangehood.
- Exhaust air must not be discharged into an existing flue which is used for exhausting fumes from appliances burning gas or other fuels.
- The minimum distance between the hob surface and the lowest part of the rangehood shall be at least 650mm. If the rangehood is installed over a gas hob, the minimum distance shall be 700mm.
- Attention should be given to ensure that any applicable regulations concerning the discharge of exhaust air is fulfilled.

## USE

### Control panel



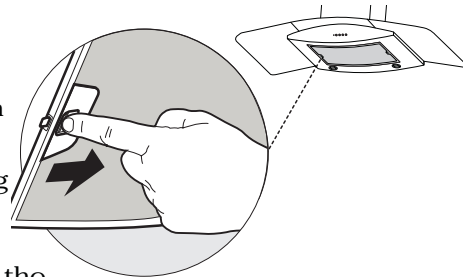
- L Light Switches the lighting system on and off.
- S Led Motor running led.
- V1 Motor Switches the extractor motor on and off at low speed. Used to provide a continuous and silent air change in the presence of light cooking vapours.
- V2 Speed Medium speed, suitable for most operating conditions given the optimum treated air flow/noise level ratio.
- V3 Speed Maximum speed, used for eliminating the highest cooking vapour emission.

## MAINTENANCE

### Grease filters

#### CLEANING GREASE FILTERS

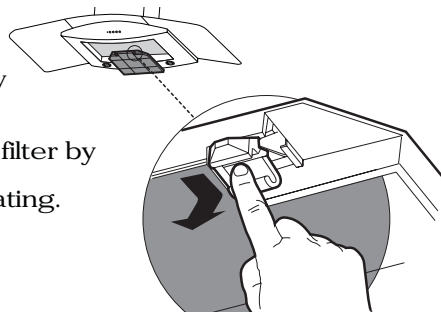
- The filters should be cleaned every two months of operation, or more frequently with heavy usage, and can be washed in a dishwasher.
- Remove the filters by pushing them towards the back of the group and pulling down at the same time.
- Wash the filters, taking care not to bend them. Allow them to dry before refitting.
- When refitting the filters, make sure that the handle is visible on the outside.



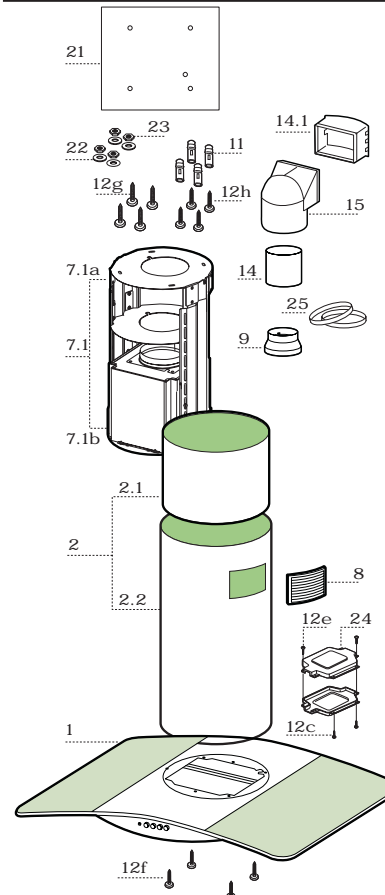
### Activated charcoal filter (Recirculation version)

#### REPLACING THE ACTIVATED CHARCOAL FILTER

- This filter is not washable and cannot be regenerated, and must be replaced approximately every four months of operation, or more frequently with heavy usage.
- Remove the metal grease filters.
- Remove the saturated activated carbon filter by releasing the fixing hooks.
- Fit the new filter by hooking it into its seating.



## COMPONENTS



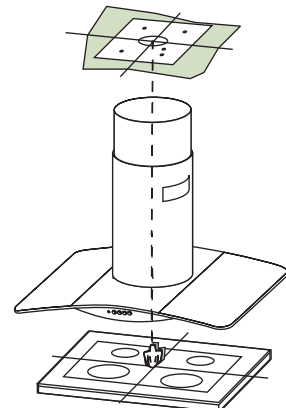
Ref.	Q.ty	Product Components
1	1	Hood Body, complete with: Controls, Light, Blower, Filters
2	1	Telescopic Chimney comprising:
2.1	1	Upper Section
2.2	1	Lower Section
7.1	1	Telescopic frame complete with extractor, consisting of:
7.1a	1	Upper frame
7.1b	1	Lower frame
8	1	Air Outlet Grill
9	1	Reducer Flange ø 150-120 mm
14	1	Hood Body Air Outlet Extension Piece consisting of two Half Shells
14.1	1	Air Outlet Connection Extension
15	1	Air Outlet Connection
24	1	Junction box
25	2	Pipe clamps
Ref.	Q.ty	Installation Components
11	4	Wall Plugs ø 10
12c	2	Screws 2,9 x 6,5
12e	4	Screws 2,9 x 9,5
12f	4	Screws M6 x 15
12g	4	Screws M6 x 80
12h	4	Screws 5,2 x 70
21	1	Drilling template
22	4	6.4 mm int. dia washers
23	4	M6 nuts
	Q.ty	Documentation
	1	Instruction Manual

## INSTALLATION

### Drilling the Ceiling/shelf and fixing the frame

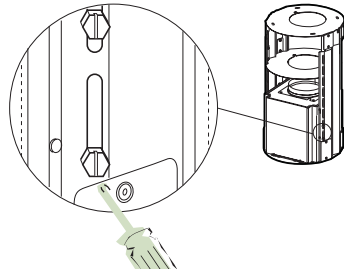
#### DRILLING THE CEILING/SHELF

- Use a plumb line to mark the centre of the hob on the ceiling/support shelf.
- Place the drilling template 21 provided on the ceiling/support shelf, making sure that the template is in the correct position by lining up the axes of the template with those of the hob.
- Mark the centres of the holes in the template.
- Drill the holes at the points marked:
  - For concrete ceilings, drill for plugs appropriate to the screw size.
  - For hollow brick ceilings with wall thickness of 20mm: drill ø 10 mm.
  - For wooden beam ceilings, drill according to the wood screws used.
  - For wooden shelf, drill ø 7 mm.
  - For the power supply cable feed, drill ø 10 mm.
  - For the air outlet (Ducted Version), drill according to the diameter of the external air exhaust duct connection.



## FIXING THE FRAME

Before fixing, separate chimney elements 2.1 - 2.2 from the frame, then separate the two sections of the frame by unscrewing the 8 side screws to obtain the Upper frame and Lower frame.



### Upper frame

- Align the power supply cable feed hole
- Fix the upper frame to the ceiling or shelf using:
  - For concrete ceilings, use the appropriate plugs for the screw size (not provided).
  - For hollow brick ceilings of wall thickness of approximately 20 mm: use 4 plugs 11 and 4 screws 12h (5,2 x 70), provided.
  - For wooden beam ceilings, use 4 wood screws (not provided).
  - For wooden shelf, use 4 screws 12g (M6 x 80) with washers 22 and nuts 23, provided.

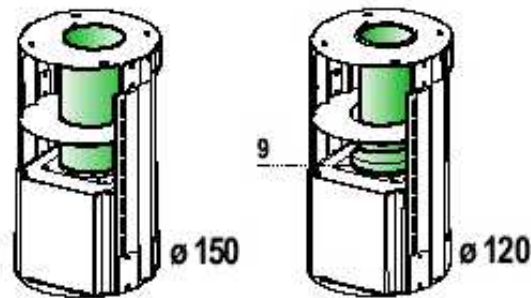
### Lower frame

- Fix the lower frame using the 8 previously removed screws, adjusting the length according to the installation height (hood body lower fixing surface must be at least 720 mm from the hob).
- For the recirculation version, turn the frame in the direction chosen for the recirculated air outlet.
- The frame mountings must be secure to withstand the weight of the hood and any stresses caused by the occasional side thrust applied to the device. On completion, check that the base is stable, even if the frame is subjected to bending.
- In all cases where the ceiling is not strong enough at the suspension point, the installer must provide strengthening using suitable plates and backing pieces anchored to the structurally sound parts.

## Connections

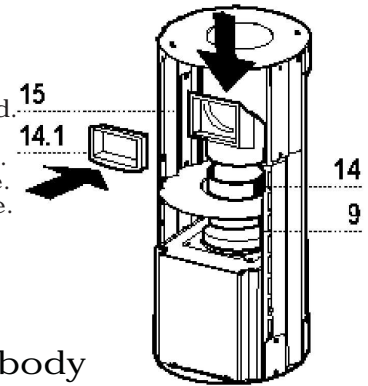
### DUCTED VERSION

When installing the ducted version, connect the hood to the chimney using either a flexible or rigid pipe  $\varnothing$  150 or 120 mm, the choice of which is left to the installer.



### RECIRCULATION VERSION

- To install a  $\varnothing$  120 mm air exhaust connection, insert the reducer flange 9 on the hood body outlet.
- Fix the pipe using the pipe clamps 25 provided.
- Remove any activated charcoal filters.
- Insert reducer flange 9 on the extractor outlet.
- Push fit the extension piece 14 onto the flange.
- Push fit connector 15 onto the extension piece.
- Insert extension piece/connector 14.1 laterally on connector 15.

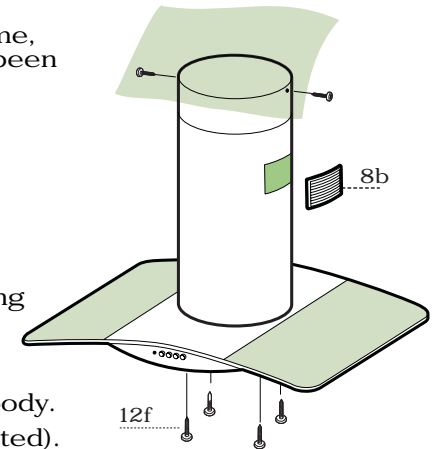


### Flue assembly - Mounting the hood body

- Position the upper chimney section and fix the upper part to the frame using the 2 screws (2,9 x 6,5) provided.
- Fit the lower chimney section onto the frame, holding it in place until the hood body has been fixed in place.

### Recirculation version

- Make sure that the outlet of the extension piece 14.1 is horizontally and vertically aligned with the chimney outlet.
- If this is not the case, remove the lower chimney section and adjust the position by cutting the hood body extension 14 along one of the thinner section channels denoting the pre-fixed lengths, then reassemble as described previously.



Before fixing the hood body to the frame:

- Remove the grease filters from the hood body.
- Remove any activated charcoal filters (if fitted).
- From below, use the 4 screws 12f (M6 x 10) provided to fix the hood body to the frame.
- For the recirculation version, locate the directional grill 8 in its housing. Ensure that it is inserted correctly in connector 15

### ELECTRICAL CONNECTION

- Connect the hood to the mains
- Connect the control connector Cmd.
- Place the connector in the junction box 24 and close it using the 2 screws 12e (2,9 x 9,5) provided.
- Fix the junction box to the hood body using the 2 screws 12c (2,9 x 6,5) provided.
- For the recirculation version, fit the activated carbon filter.
- Replace the grease filters.24

