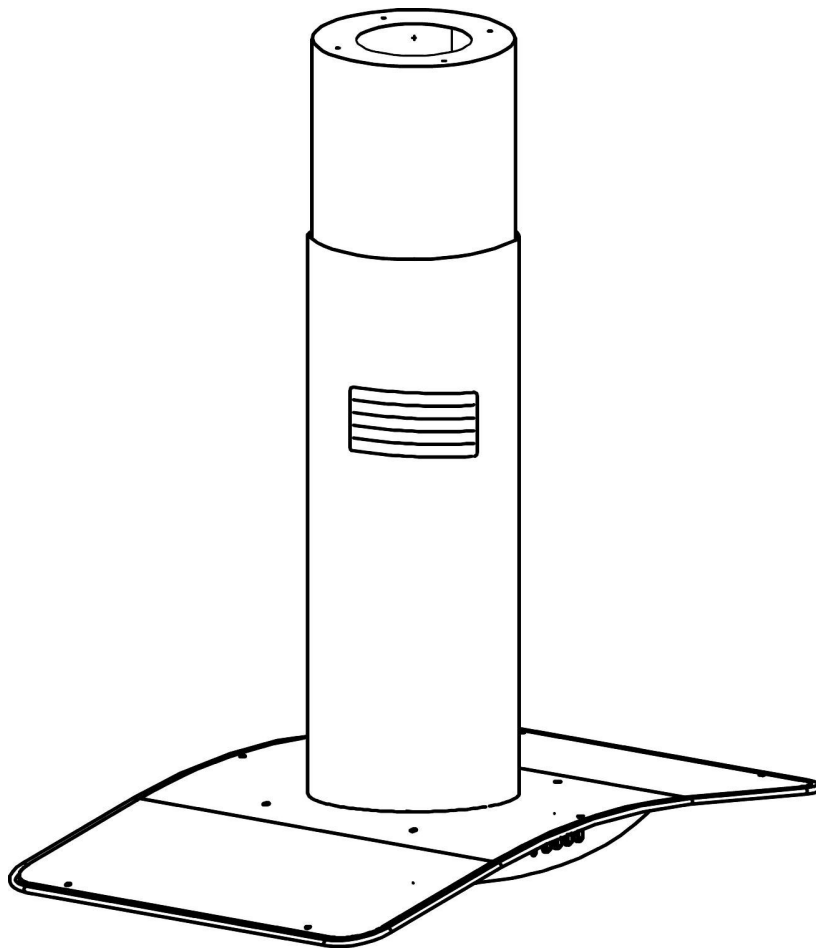


RIIC9G

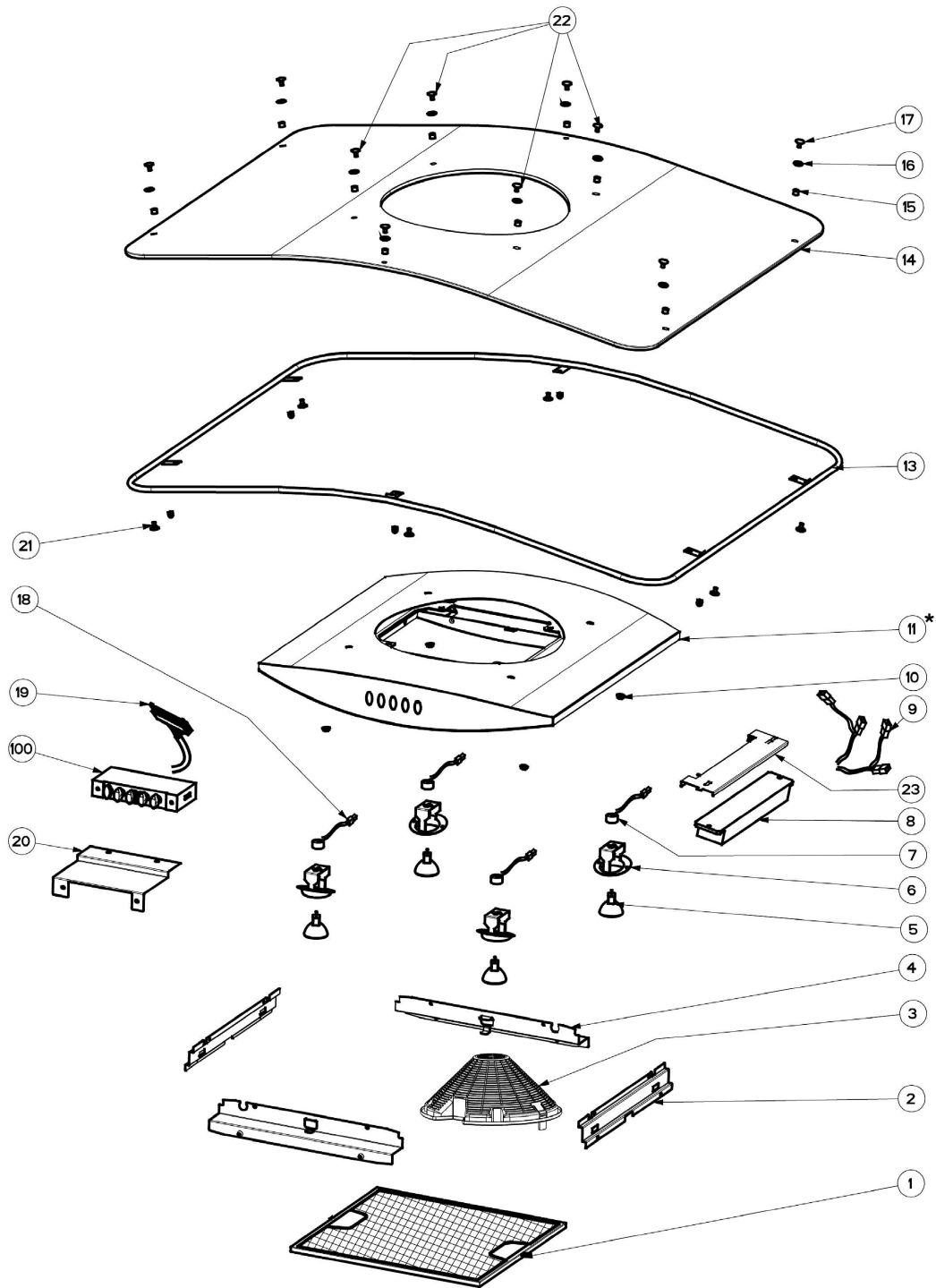


CANOPY RANGEHOOD  
RIIC9G

APPROVED

ISSUE: D  
ECN 07 033

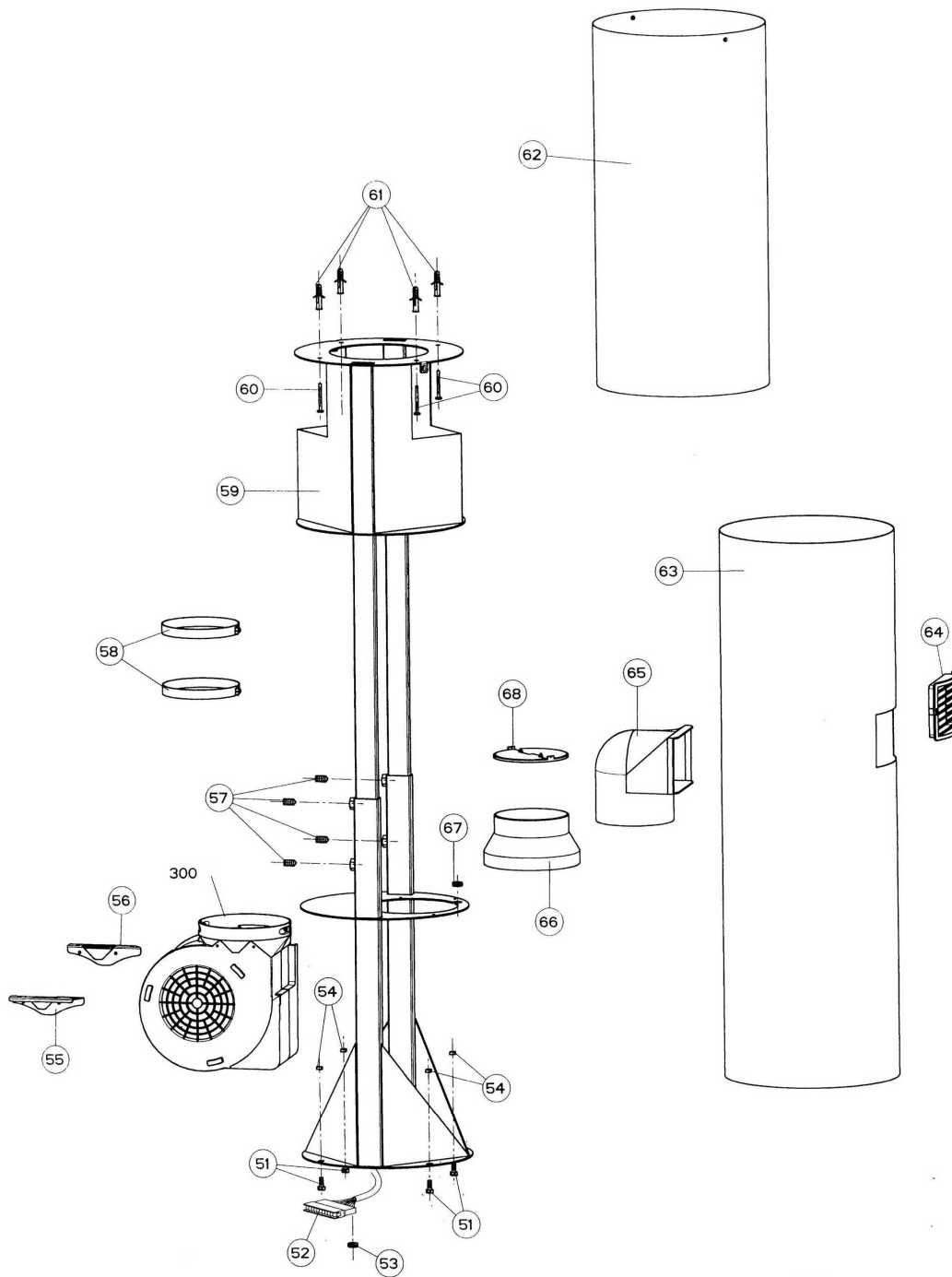
# RIIC9G



APPROVED

ISSUE: D  
ECN 07 033

# RIIC9G



APPROVED

ISSUE: D  
ECN 07 033

**RIIC9G****SPARE PART LIST**

ITEM	DESCRIPTION	Part No RIIC9G
1	METAL FILTER	114002
2	CHARCOAL FILTER SUPPORT	114003
3	CHARCOAL FILTER	RICCF
4	CONTROL SWITCHES PROTECTION	114004
5	HALOGEN LAMP 12V 20W	114005
6	SPOT LIGHT SUPPORT X DIRECT	114006
7	LAMP HOLDER	114007
8	TRANSFORMER 230V 50Hz	114008
9	MALE PLUG BOX 2 WAYS	114009
10	M4 MOTOR SECURING NUT	114010
11*	BODY	-
13	HANGING RAIL	114012
14	HOOD GLASS	114013
15	PVC PLASTIC TUBE	114014
16	O-RING 105 GASKET	114015
17	BORDER FIX BUSH	114016
18	FEMALE PLUG BOX 2 WAYS	114017
19	MALE CONECTION 12 CABLES	114018
20	CONTROL FIX BRACKET	114019
21	SCREW M4x5	114020
22	HANGING RAIL FIX SCREW	114021
23	TRANSFORMER FIXING BRACKET	114022
51	SCREW ZINC-PLATED M6x15	114023

APPROVED

ISSUE: D  
ECN 07 033

## RIIC9G

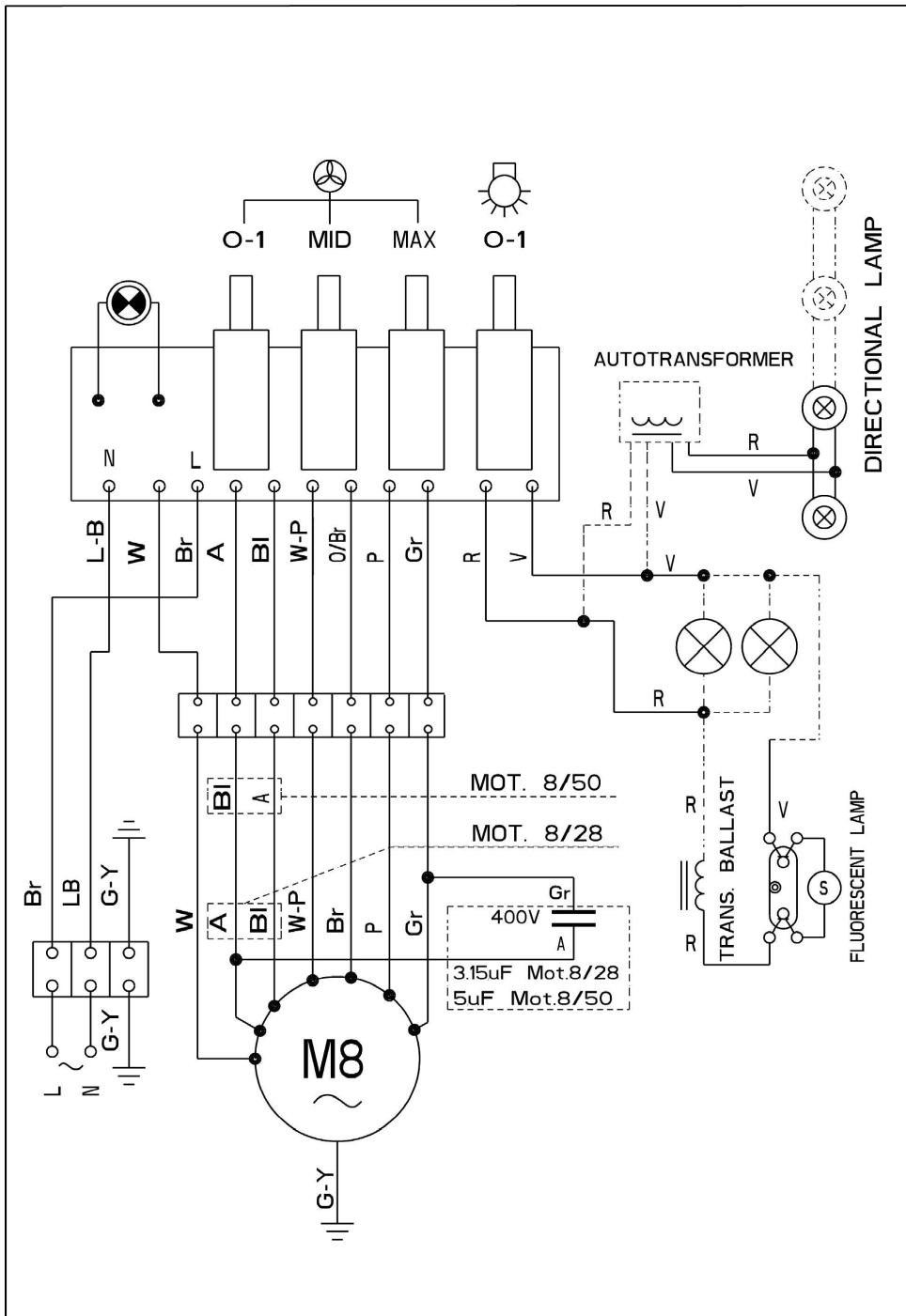
ITEM	DESCRIPTION	Part No RIIC9G
52	FEMALE CONNECTION 12 CABLES	114024
53	CABLE INLET GROMMET Ø13	114025
54	CAPTIVATED NUT M6	114026
55	DIFFUSER BRACKET ZN RIGHT BEND	114027
56	DIFFUSER BRACKET ZN RIGHT BEND	114028
57	SCREW M10x20	114029
58	VERYFLEX 60/135 BAND	114030
59	HOOD SUPPORT ADJUSTABLE	114031
60	SCREW	114032
61	PLUG	114033
62	UPPER CHIMNEY	114034
63	LOWER CHIMNEY	114035
64	DIRECT GRID	114036
65	RECYCLING UNION	114037
66	SPIGOT 120-150	114038
67	CABLE SLEEVE	114039
100	CONTROL BOARD PCB AND SWITCHES ONLY	114040 114042
300	POWER PACK	
	- MOTOR ONLY	114056
	- IMPELLER DX ONLY	114051
	- IMPELLER SX ONLY	114057

\* PART IS NOT AVAILABLE OUTSIDE PRODUCTION

APPROVED

ISSUE: D  
ECN 07 033

# RIIC9G



APPROVED

ISSUE: D  
ECN 07 033