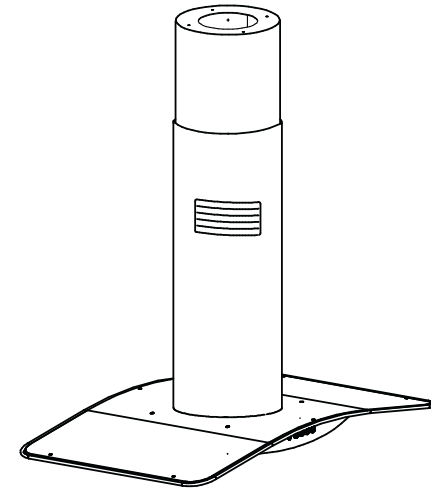
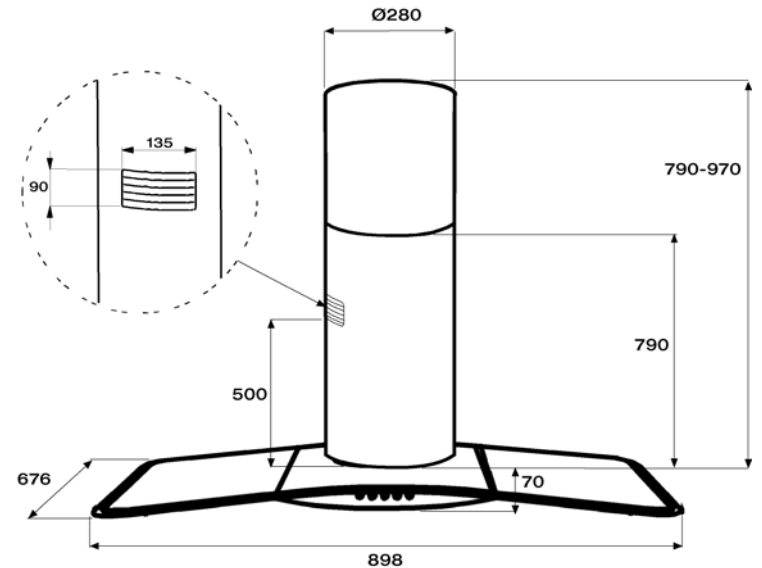


## CANOPY INSTALLATION INSTRUCTION

RIIC9G



## PRODUCT DIMENSIONS



All Dimensions are in millimeters

104474 Issue C  
ECN: 07 007

**Robinhood**  
RECOMMENDS UNIDUCT DUCTING  
SYSTEMS FOR RANGEHOODS

**UNIDUCT**  
RANGEHOOD DUCTING

distributed by  
Robinson Industries Ltd  
P.O. Box 51 201, Pakuranga  
Auckland, New Zealand  
TEL: 64 (9) 272 5129  
FAX: 64 (9) 272 5148  
ISO9001 Certified  
email: enquiries@robinhood.co.nz

**2 YEARS**  
WARRANTY

Visit our Website at:

[www.robinhood.co.nz](http://www.robinhood.co.nz)

for service of advice in Australia contact  
Robinhood Pty Ltd A.C.N 079 616 550  
P.O. Box 4189, Mulgrave  
Victoria 3170  
TEL: 1800 648 556  
FAX: 1800 628 577  
email: enquiries@robinhood.co.nz

Electrical Rating:  
280W (1.16A) Max. at 240V 50Hz

## STAINLESS STEEL CANOPY OPERATION


Thank you for purchasing a quality stainless steel canopy rangehood. We have a high standard of quality control and each rangehood is tested and approved before it leaves the factory.


**IMPORTANT:** Please read prior to installation or operation.


- Always switch power off prior to installing, servicing or cleaning the appliance.
- Never use the appliance without filters.
- Please read the notes on general cleaning, especially the filters.
- Exhaust air must not be discharged into a heating flue or wall cavity. Unless the cavity is designed for that purpose.
- Areas where the rangehood is installed that also have gas oil or coal fired heaters, must be well ventilated to prevent a partial vacuum in the room. This includes gas hobs. (A partial vacuum in the room could result in too high a concentration of gas in the atmosphere).
- The appliance is supplied with an approved power cable which must not be changed. If the supply cord of this equipment is damaged, it must only be replaced by the manufacturer or its service agent or similarly qualified person in order to avoid hazard.


## CONTROL PANEL

The hood is equipped with the following controls:

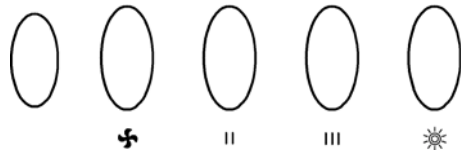
Button  = Light ON/OFF

Button  = Fan ON/OFF in first speed, suitable for a continuous change of air, to be used with little cooking steam.

Button  = Second speed, suitable in most conditions of use for its excellent ratio between quantity of treated air and noise level.

Button  = Third speed, suitable to cope with major cooking steam emissions even for long periods of time.

 **Robinhood**



## INSTALLATION OF UNIT

(Read in conjunction with the following diagrams)

Note: Ducting accessories are not supplied. Please refer to the optional ducting kits. The air outlet from the motor requires 150mm round ducting.

NOTE: Stainless steel is very easily damaged during installation if abraded or knocked by tools.

### 1. WARNING

This hood is designed for installation over a cooking appliance fitted into a peninsular or island kitchen cabinet. The hood can be fixed to the ceiling. The hood is supplied complete with a substantial ceiling fixing system which is fully adjustable in height to suit most installation requirements. This canopy hood is designed to be used either in the extraction mode (ducted to the outside) or in the recirculation mode (internal recycling). Before commencing the installation, consideration should be given to the difficulties to be found during installation and to the bulky weight of the hood. The manufacturer cannot be found liable for any damages to improper installation.

## MAINTENANCE (CONT'D)

### LIGHT

- 1 - It consists of four 20 W-halogen spotlights.
- 2 - Replacement (fig. 8)  
Remove the two screws that lock the metal ring, take the spotlight out of its holder by pulling slightly. When replacing, make sure that both pins are well inserted in the holder seat.

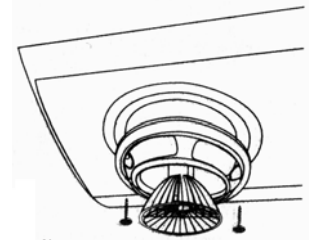


fig. 8

## WARNING

- This appliance is not intended for use by young children or infirm persons without supervision.
- Young children should be supervised to ensure that they do not play with the appliance.
- There shall be adequate ventilation of the room when the rangehood is used at the same time as appliances burning gas or other fuels.
- You must read the details concerning the method and frequency of cleaning.
- There is a fire risk if cleaning is not carried out in accordance with the instructions.
- Do not flambé under the rangehood.
- Exhaust air must not be discharged into an existing flue which is used for exhausting fumes from appliances burning gas or other fuels.
- The minimum distance between the hob surface and the lowest part of the rangehood is 600mm. This distance shall be at least 650mm (recommended 700mm) if the rangehood is installed over a gas hob.
- Attention should be given to ensure that any applicable regulations concerning the discharge of exhaust air is fulfilled.
- If the supply cord of this equipment is damaged, it must only be replaced by the manufacturer or its service agent or similarly qualified person in order to avoid a hazard.

## INSTALLATION OF UNIT (CONT'D)

d - Once the connectors have been joined, check that the following are operating correctly:

- LIGHTING SYSTEM
- MOTOR START-UP
- SPEED CHANGE

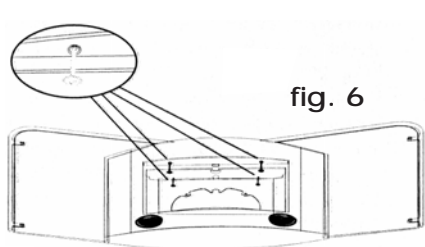


fig. 6

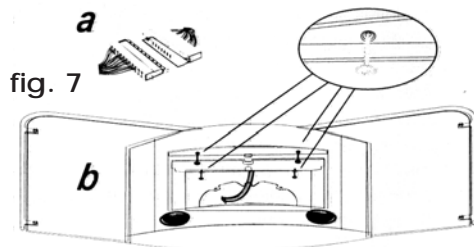


fig. 7

## MAINTENANCE

### USE

Care and attention should always be taken when cooking with oils, alcohol, etc; which give off flammable vapours.

Pre-used oil is especially dangerous in this respect.

Do not use uncovered electrical grill.

To avoid possible risks of fire always comply with the maintenance instruction above.

**ATTENTION:** This appliance must be earthed

When making the electrical connection, check that the socket has an earth connection and that the voltage values correspond to those indicated on the rating plate inside the appliance. The power socket connection is to be easily accessible after installation.

### GREASE FILTERS

Particular care must be taken with grease filters which must be periodically cleaned (at least every two months).

Remove the grease filters and wash them either by hand or in the dishwasher using mild detergent. Use lukewarm water and mild detergent to clean stainless steel components.

In high humidity and coastal environments, cleaning should be carried out frequently.

**CAUTION:** Never use products containing abrasive liquid cleaners etc.

### ACTIVATED CARBON FILTERS

#### 1 - How they work

The activated carbon filter can hold odours until it reaches total saturation. It is not washable nor can it be re-used, but should be changed at least every 4 months or more often in case of intensive use.

#### 2 - Replacement

Remove the antigrease filter and unhook the activated carbon filter from its seat (fig. 5). Fit the new activated carbon filter and the metal antigrease filter.

**WARNING:** Maintenance or replacement periods should be respected to avoid any fire hazards when the filters get saturated with grease.

## INSTALLATION OF UNIT (CONT'D)

### 2. COMPONENTS

The cooker hood is made up of the following components (fig. 1):

- 2.1 - Canopy item "C", including controls, lights and fan unit.
- 2.2 - Telescopic frame consisting of:
  - Upper frame "TS"
  - Lower frame "TI"
- 2.3 - Telescopic chimney stack formed by:
  - Upper section item "S"
  - Lower section item "I"
  - Bag of screws and accessories
  - Circulation venting grill item "G"
- 2.4 - Recirculation spigot item "F"
- 2.5 - Reduction flange  $\varnothing 150-125$  item "R"

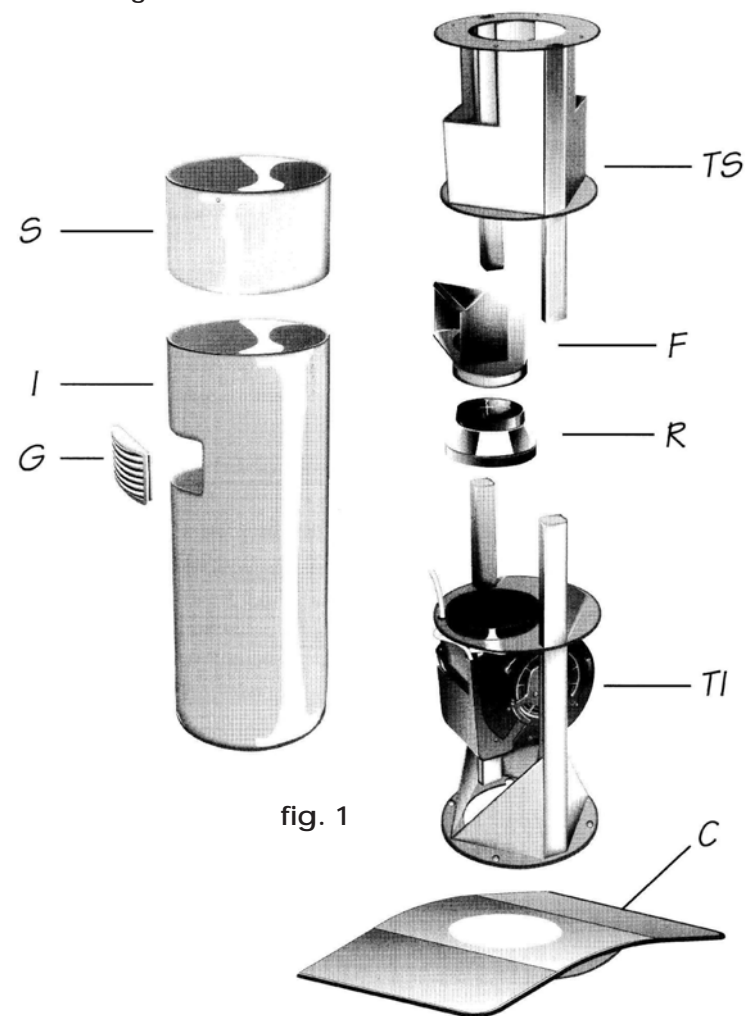


fig. 1

## INSTALLATION OF UNIT (CONT'D)

### 3. INSTALLATION

#### 3.1 - Fitting of upper telescopic frame "TS"

The frame is suitable for fixing to the ceiling of adequate thickness and well secured, or any other carrying structure. Remember that the recycled air can be directed in four different directions: such choice must be made when securing the upper frame.

- Separate the lower frame "TI" from the upper part "TS" by loosening the four retaining screws with the socket head screw wrench provided "D" (fig.2)
- Remove the screws on "S" and pull out the upper pipe "S" of the telescopic chimney.
- Using a plumb line or similar tool, mark the centre on the ceiling from the centre of the cooking appliance.
- Use the drilling template provided "attachment" to mark the centre on the ceiling and align one of the two axis (A or B) of the template parallel with the long side of the hob bearing in mind in which direction you want the filtered air to exit.
- Drill the holes as follows:
  - ceiling 4 holes  $\varnothing$  10 mm for securing the upper frame
  - 1 hole  $\varnothing$  10 mm to pass the mains cable
- For extraction mode (i.e. ducted)
  - Use the template provided to mark the  $\varnothing$  150 mm hole on the ceiling for ducting when the range hood is to be installed in the extraction mode.
- Fitting in the hood to the ceiling
  - Attention: Due to the many differing types of ceiling construction, the choice of fixings is left to the discretion of the installer. It is necessary to emphasise that the fitting has to be absolutely accurate because of the weight of the cooker hood and because of the flexing caused by accidental lateral stresses on the appliance. Only the following types of ceiling are suitable for installing the island cooker hood:
    - Solid concrete ceiling: use dowels for concrete (not supplied).
    - Solid wooden buttress ceiling: use  $\varnothing$  10 mm wood screws with a minimum length of 120 mm (not supplied)
    - Cavity ceiling with inner empty space, having a thickness of about 22 mm: use, in this case, the four dowels and screws supplied. Once fixed, make sure that the basis is absolutely stable even when the metal frame is subjected to lateral stresses
    - If the ceiling is not strong enough in the area where the hood is to be fixed, the installer must strengthen the area adequately so that it can withstand the weight of the hood. NOTE: weight of the hood is 30kg.

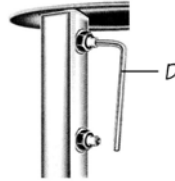


fig. 2

#### 3.2 Fitting the lower telescopic frame "TI"

- Turn the lower telescopic frame "TI" in the opposite direction.
- Connect the lower frame "TI" to the upper frame "TS" and secure by tightening the 4 screws using the socket head screw wrench provided "D", adjusting the height from the hob and bearing in mind that the canopy item to be fitted subsequently is 7 cm high. In any event, in this position, the lower part of the frame must not be positioned at less than 72 cm from the underlying hob.

## INSTALLATION OF UNIT (CONT'D)

### 3.3 Setting the hood for evacuation (ducting) or recirculation

- Setting for evacuation (ducting)
  - Apply the reducing spigot "R" to the upper part of the extraction unit "TI"
  - Connect spigot "R" to the external ducting by means of rigid or flexible duct (not provided) to be fixed using clamps "F" (fig.3) provided.
  - Remove any charcoal filter in the lower part of the canopy. (see Maintenance).
- Setting for recirculation:
  - Apply the reducing spigot "R" to the upper part of the extraction unit "TI"
  - Fit the recycling spigot "F" to the reducing spigot "R", directing it in the position chosen for air evacuation.
  - Fit the charcoal filter inside the canopy after power connections have been done (see 3.7).

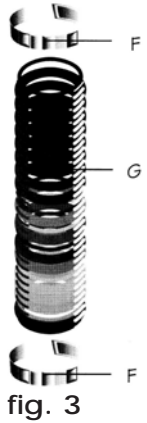


fig. 3

### 3.4 Electrical connection

- Always carefully follow all instructions concerning safety.
- Connection to mains supply must be done by passing the power cable through the centre hole of the frame.
- Connect the mains cable to the mains supply.

### 3.5 Fitting the chimney

- Insert the upper pipe "S" of the telescopic chimney and secure with the two screws.
- Insert the lower pipe "I" of the telescopic chimney, positioning it so that opening, in the vent of evacuation fitting, is aligned with the recirculation spigot "F".  
Note: Do not fit the small directional grill "G". This operation must be done after installation of the canopy "C".  
Support pipe "4C" with one hand to allow subsequent fitting of the canopy item.

### 3.6 Fitting the Canopy

- Remove the three grease filters by applying pressure to the handles (fig. 4).
- If fitted, remove the charcoal filter (fig. 5).
- Position the canopy item "C" in line with the holes of lower frame "TI" and secure with four screws (supplied).  
Note: No further operation must be carried out without having tightened the four screws. During this operation, until at least one screw has been tightened slightly support the canopy item to avoid accidental movement.
- Fit the directional grill "G" in slot.

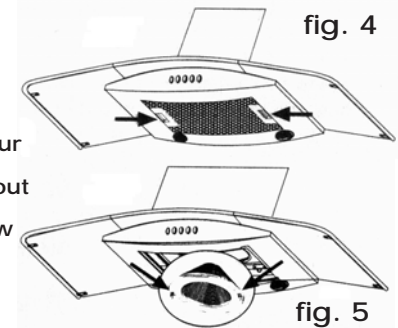


fig. 4

fig. 5

### 3.7 Electrical connection

- Dismantle the cover by removing the screws (fig. 6). - over the page
- Extract the connector and connect it to the connector on the motor group (fig. 7a).
- Replace the cover, making sure that the cable between the two connectors is properly inserted in the slot (fig. 7b).