

Description

ROBINHOOD WALL CANOPY RANGEHOOD 90CM
RWY3CL9SS



Key Features

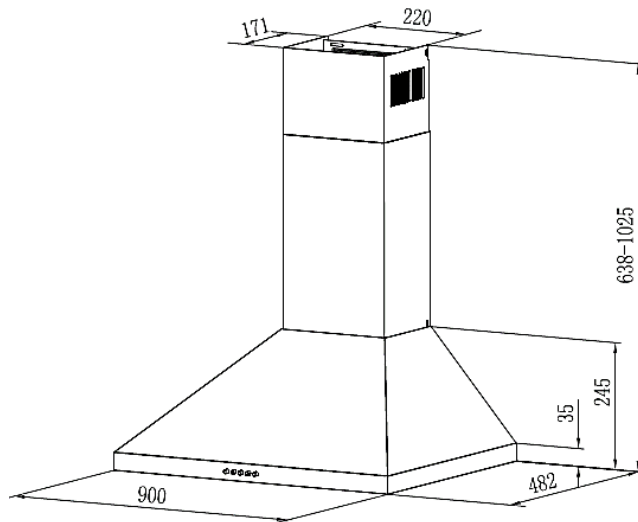
Max Motor Performance
 750 m³/hr

Power Levels
 3

Control Type
 Push Buttons

Lighting
 2 x 1.5W LED

Venting Type
 Ducted or recirculated



Dated: 25/03/2022

Specifications

Finish/Colour	Stainless Steel
Voltage	220~240v
Frequency	50~60Hz
Motor Power	100W
Motor Housing & Blower	Plastic motor housing with plastic blower
Lighting / Colour Temperature	2 x 1.5W square LED light / 6000K
Total Power	103W
Control Type	Push buttons
Power Levels	3
Filters	3 x S/S decorative filters
Activated Charcoal Filters	Optional (RHCF120)
No Return Valve	Included
Ducting Outlet Diameter	Ø150mm
Power Cord Length	1.5M
Chimney Height (Upper+Lower)	400+400mm
Chimney Extension (Upper)	Optional (RHRWY3CL27, 700mm)
Product Dimensions (WxDxH)	900x482x(638-1025)mm
Carton Dimensions (WxDxH)	950x315x540mm
Gross/Net Weight	11.7/9.8 Kg

Air Flow & Noise Level*		
Power Level	Air Flow (m ³ /hr) (IEC 61591)	Noise Level (dB) (IEC 60704-2-13)
1	417	54
2	532	61
3	632	67

*Air Flow & Noise Level testing is conducted in a controlled lab environment as per the IEC standards.