

Description

ROBINHOOD WALL CANOPY 90CM MATTE BLACK DC MOTOR
RWL3CL9MBDC



Key Features

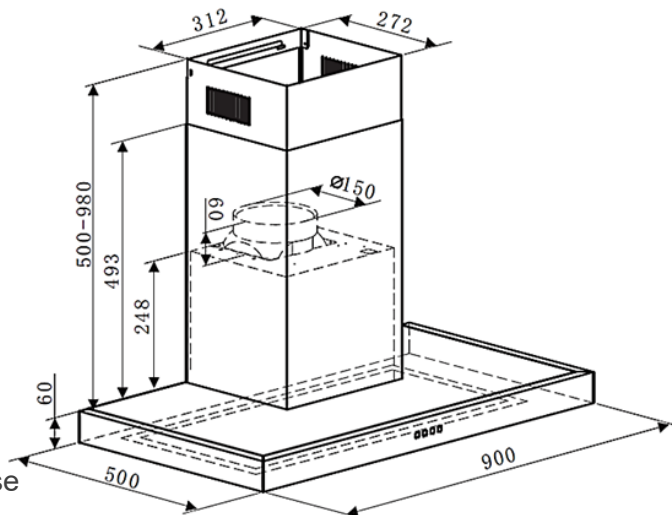
Motor Type
 DC Motor

Max Motor Performance
 850 m³/hr

Control Type
 Backlit Buttons

Lighting
 1 x 25W LED Panel

Warranty
 5 years warranty on parts & labour from the date of purchase
 (For domestic use only)



Dated 22/03/2024

Specifications

Voltage	220~240v
Frequency	50~60Hz
Motor Type/ Power	DC motor/ 140W
Energy Efficiency Index (EEI)	A++
Max Motor Performance	850 m ³ /hr
Power Levels	3
Control Type	Backlit buttons
Light/ Colour Temperature	1 x 25W LED/ 6400K
Filter	2 x aluminium filters
Recirculating Mode	Yes, optional charcoal filter ATCF260 *2pc
Extension Flue	Yes, extension inner flue RWLEXTINNER1000
Ducting Outlet	Ø150mm
Power Cord Length	1.8m
Product Dimensions (WxDxH)	900 x 500 x (560-1040)mm
Carton Dimensions (WxDxH)	955 x 410 x 565mm
Gross/ Net Weight	23 / 20.5Kg

Air Flow & Noise Level*		
Power Level	Air Flow (m ³ /hr) (IEC 61591)	Noise Level (dB) (IEC 60704-2-13)
1	220	38
2	600	54
3	825	63

*Air Flow & Noise Level testing is conducted in a controlled lab environment as per the IEC standards.