

Description

ROBINHOOD CURVED GLASS CANOPY RANGEHOOD 90CM
RWK3CL9G



Key Features

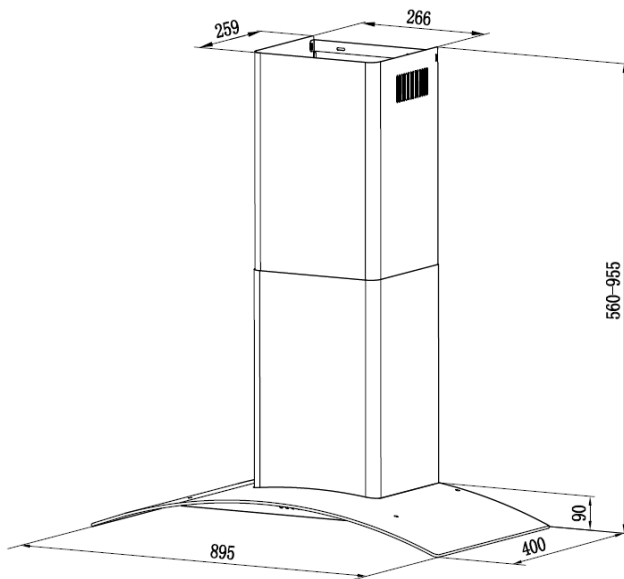
Max Motor Performance
 550 m3/hr

Power Levels
 3

Control Type
 Push Buttons

Lighting
 2 x 1.5W LED

Venting Type
 Ducted or recirculated



Dated: 17/06/2021

Specifications

Finish/Color	Stainless Steel & Tempered Glass
Voltage	220~240v
Frequency	50~60Hz
Motor Power	100W
Motor Housing & Blower	Plastic motor housing with plastic blower
Lighting / Colour Temperature	2 x 1.5W square LED light / 6000K
Total Power	103W
Control Type	Push buttons
Power Levels	3
Filters	2 x S/S decorative filters
Activated Charcoal Filter	Optional (RHRWKCF506)
No Return Valve	Included
Ducting Outlet Diameter	Ø150mm
Power Cord Length	1.5M
Chimney Height (Upper+Lower)	400+400mm
Chimney Extension (Upper)	Optional (RHRWK3CL27, 700mm)
Product Dimensions (WxDxH)	895x400x(560-955)mm
Carton Dimensions (WxDxH)	955x333x440mm
Gross/Net Weight	13.3/11 Kg

IEC 61591 Tested Data		
Power Level	Air Flow (m ³ /hr)	Noise Level (dB)
1	288	52
2	369	56
3	451	62