

## Description

ROBINHOOD 90CM WALL CANOPY BLACK GLASS DC MOTOR  
**RWJ3CL9BKDC**



## Key Features

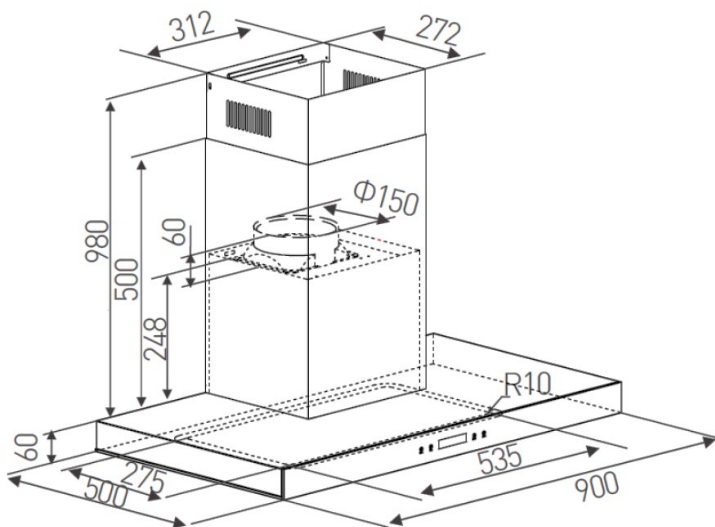
**Motor Type**  
 DC Motor

**Max Motor Performance**  
 850 m<sup>3</sup>/hr

**Power Levels**  
 3

**Control Type**  
 Touch Control

**Lighting**  
 1 x 7W LED Strip



Dated 28/10/2022

## Specifications

<b>Voltage</b>	220~240v
<b>Frequency</b>	50~60Hz
<b>Motor Type/ Power</b>	DC motor/ 147W
<b>Energy Efficiency Index (EEI)</b>	A++
<b>Max Motor Performance</b>	850 m <sup>3</sup> /hr
<b>Power Levels</b>	3
<b>Control Type</b>	Touch control
<b>Light/ Colour Temperature</b>	1 x 7W LED/ 6200K
<b>Filter</b>	2 x 5 layers aluminium filters
<b>Recirculating Mode</b>	Yes, optional charcoal filter ATCF260
<b>Ducting Outlet</b>	Ø150mm
<b>Power Cord Length</b>	1.8m
<b>Optional Extension Flue Kit</b>	RWDRWJEXTKIT27 (1420mm) RWDRWJEXTKIT30 (2100mm)
<b>Product Dimensions (WxDxH)</b>	900 x 500 x (560-1040)mm
<b>Carton Dimensions (WxDxH)</b>	950 x 410 x 565mm
<b>Gross/ Net Weight</b>	27/24Kg

Air Flow & Noise Level*		
Power Level	Air Flow (m <sup>3</sup> /hr) (IEC 61591)	Noise Level (dB) (IEC 60704-2-13)
1	220	38
2	600	54
3	825	63

\*Air Flow & Noise Level testing is conducted in a controlled lab environment as per the IEC standards.