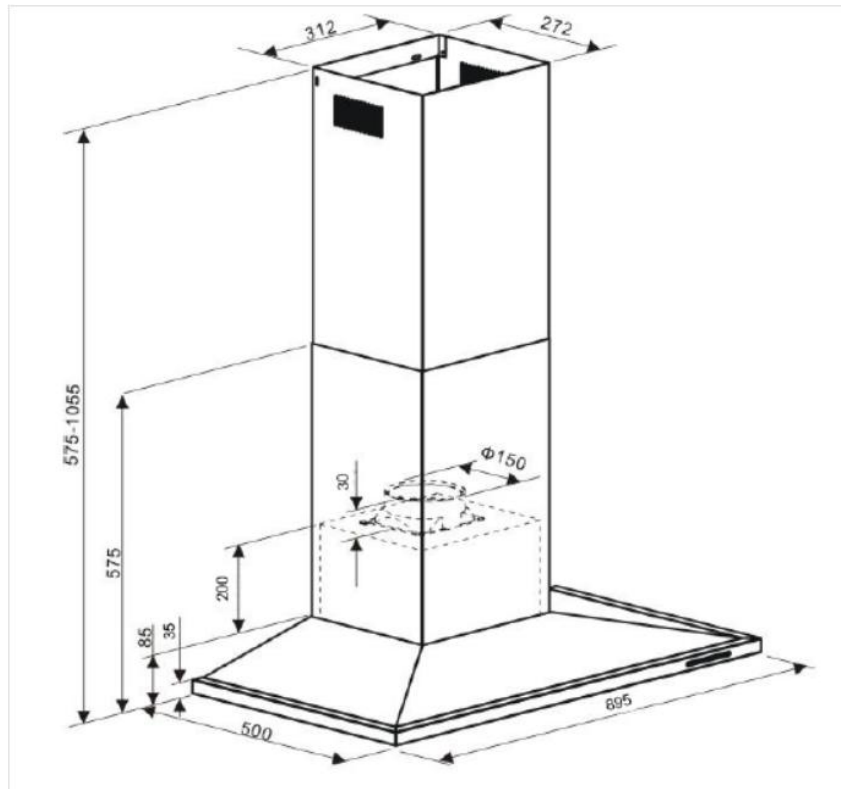


Description: **ROBINHOOD 90CM WALL CANOPY RANGEHOOD, STAINLESS STEEL**

Model Number: **RWD3CL9SS**

Typical Design



Features and benefits

- **High performance extraction fan**

High performance 700 M³/H extraction fan rapidly removes steam, smoke and cooking smells from your kitchen. Three-speed switch lets you select the fan strength you need – half strength for steamed vegetables; full strength for stir fries.

- **LED Lamps**

2x 2 watt LED lamps efficiently illuminate the entire cooking surface. Lamps are quick and easy to replace, and readily available from hardware stores.

- **Multi-layered micromesh filters**

Multi-layered micromesh filters effectively trap grease. They're simple to remove and are easily maintained with a regular clean in the dishwasher.

- **Rectilinear low profile design**

Simple styling makes cleaning easy. High quality stainless steel and the fingertip controls are easy to clean with a damp cloth.

- **Thermal overload switch**

Thermal overload function that senses extreme heat and disconnects power to the motor temporarily. If you have a cooking disaster, and something catches fire, the rangehood automatically switches off to prevent flames and sparks being sucked into the ducting or ceiling.

- **Recirculation option**

In situations where ducting isn't possible, your rangehood can be fitted with charcoal filters that effectively cleanse the air before returning it to the kitchen.

Specifications

Technical data:

AESTHETICS

SWITCH

PUSH BUTTONS

RANGEHOOD TYPE

STAINLESS STEEL WALL CANOPY

FILTERS

3 PCS MULI LAYERED ALUMINIUM MESH

GAUGE OF STEEL

0.6MM

TYPE OF STEEL

430 STAINLESS STEEL

FINISH OF STEEL

BRUSH #4

LED LIGHTS POWER

2 * 2W LED

FUNCTIONALITY

POWER LEVELS

3

DUCTED MODE

YES

RECIRCULATED MODE

YES

DUCTING DIAMETER

150MM

WARRANTY PERIOD

2 YEARS

MOTOR/ELECTRICAL

MOTOR TYPE

3 SPEED CENTRIFUGAL MOTOR

VOLTAGE & FREQUENCY

240V/50Hz

MOTOR WATTAGE

190 Watt

PLUG FITTED

YES 10AMP

LENGTH OF POWER CORD

1500MM

DIMENSIONS

CHIMNEY SIZE

272*312*(490-970)MM

PRODUCT SIZE

895*500*(575-1055)MM

CARTON SIZE

990 x 385 x 630MM

CARTON VOLUME

0.24 M³

GROSS WEIGHT/NET WEIGHT

15KG/13KG

Performance data:

Power Level 1	469 m ³ /hr	Noise Level 1	50 dB
Power Level 2	563 m ³ /hr	Noise Level 2	54 dB
Power Level 3	682 m ³ /hr	Noise Level 3	57 dB

New Zealand

Monaco Corporation Ltd
Telephone: (09) 415 6000
Facsimile: (09) 415 7400
Email: enquiries@robinhood.co.nz
www.robinhood.co.nz

Australia

Shriro Australia Pty Ltd
ABN 28 002 386 129
Telephone: 1800 648 556
Facsimile: 1800 628 577
Email: enquiries@robinhood.com.au
www.robinhood.com.au