

Description: **ROBINHOOD WINE CABINET 54 BOTTLE SINGE ZONE BLACK**

Model Number: **RWCS54BUB**



**Model RWCS54BUB**

*\*Actual unit may vary from model pictured above.*

# Contents

## Congratulations!

Thank you for choosing one of our appliances. Before you use the appliance, we strongly recommend that you read through the whole user manual which provides important safety instructions and description of the product and the proper use of its functions.

To avoid the ever-present risks involved with using an electrical appliance it is vital that the appliance is installed correctly and that you read the safety instructions carefully to avoid misuse and hazards. It is important that you retain these instructions and your proof of purchase along with any other important documents about this product for future reference.

Due to continual product development, Robinhood reserves the right to alter specifications or appearances without notice.

## Content

Important Safety Instructions.....	1
Installation Instructions.....	2
Operating Instructions.....	4
Troubleshooting .....	7
Cleaning and Maintenance.....	8
Warranty Certificate (New Zealand).....	9

## Disposal Information

- Most of the packing materials are recyclable. Please dispose of these materials through your local recycling depot or by placing them in appropriate collection containers.
- If you wish to discard this product, please contact your local authorities and ask for the correct method of disposal.

## Important Safety Instructions

Read the assembly instruction section and safety precautions of this booklet carefully before removing the contents of this carton.

1. This appliance is not intended for use by persons (including children) with reduced physical, sensory or mental capabilities, or lack of experience or knowledge, unless they have been given supervision or instruction concerning the use of the appliance by a person responsible for their safety. Young children should be supervised to ensure that they do not play with the appliance.
2. In certain circumstances electrical appliances may be a safety hazard.
3. Do not place heavy objects on top of this appliance.
4. The appliance is not intended to be operated by means of an external timer or separate remote-control system.
5. Electrical connection must be made as per local wiring rules and regulations. Do not disconnect the appliance with wet hands and do not disconnect the power cord with extreme force. Do not coil the cord while in use but keep any excess cord to the back of the appliance. Take care that the power socket is accessible.
6. The appliance should be unplugged when not in use and before any maintenance is carried out on the appliance.
7. If the supply cord is damaged, it must be replaced by the manufacturer, its Authorized Service Centre or a similarly qualified person in order to avoid a hazard.
8. **WARNING:** Do not use mechanical devices or other means to accelerate the defrosting process, other than those recommended by the manufacturer.
9. **WARNING:** Keep ventilation opening, in the appliance enclosure or in the built-in structure, clear of obstruction.
10. **WARNING:** Do not damage the refrigerant circuit.
11. **WARNING:** Do not use electrical appliances inside the food storage compartments of the appliance.
12. **WARNING:** When positioning the appliance, ensure the power cord is not trapped or damaged.
13. **WARNING:** Do not locate multiple portable socket-outlets or portable power supplies at the rear of the appliance.
14. Do not store explosive substances such as aerosol cans with flammable propellant in this appliance.
15. Do not modify this appliance.
16. This appliance must be correctly installed, strictly in accordance with the manufacturer's instructions. Please see the specific section of this booklet that refers to installation.
17. When disposing of this appliance, please do so according to local regulations as it contains flammable gas & refrigerant.
18. The refrigerant isobutene (R600a) contained within the refrigerant circuit of the appliance is a natural gas with a high level of environmental compatibility. It is nevertheless flammable.
19. During transportation, installation and servicing of the appliance ensure that none of the components of the refrigerant circuit are damaged.
20. Avoid open flames and sources of ignition.
21. Thoroughly ventilate the room in which the appliance is situated.



**DO NOT OPERATE THIS APPLIANCE BEFORE READING THE INSTRUCTION BOOKLET**

**DO NOT PLACE ARTICLES ON OR AGAINST THIS APPLIANCE**

**DO NOT STORE CHEMICALS OR FLAMMABLE MATERIALS OR SPRAY AEROSOLS NEAR THIS APPLIANCE**

This appliance is intended to be used in household and similar applications such as:

Staff kitchen areas in shops, offices and other working environments; Farm houses and by clients in hotels, motels and other residential type environments; Bed & breakfast type environments; Catering and similar non- retail applications.



Symbol Meaning:

**WARNING:** Risk of fire / flammable materials

# Installation Instructions

## Unpacking the Appliance

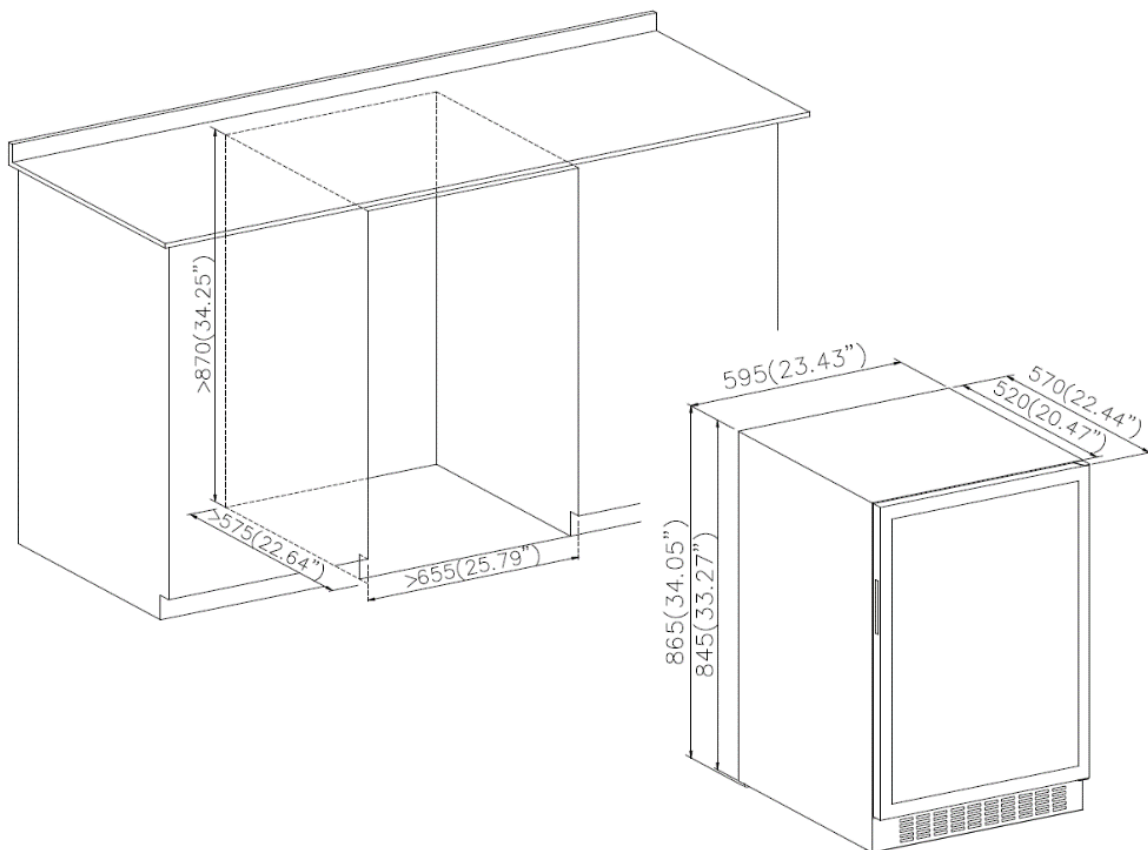
- Remove the external & internal packaging.
- When unpacking the appliance please check for any damage. If damage is found, do not connect to the power source and contact the Authorized Service Provider.
- Before connecting the appliance to the power source, let it stand upright for approximately 4 hours. This will reduce the possibility of a malfunction in the cooling system from handling during transportation. Remove any protective film from the outer surface.
- Clean the interior surface with lukewarm water using a soft cloth.

## Location

The appliance should be installed well away from sources of heat such as radiators, boilers, direct sunlight, etc. Do not put the appliance in wet or frozen areas. Ensure that air can circulate freely around the back of the appliance.

**Warning:** It must be possible to disconnect the appliance from the mains power supply; the plug must therefore be easily accessible after the installation. The appliance is designed to cabinet installed or freestanding.

## Cabinet Installation

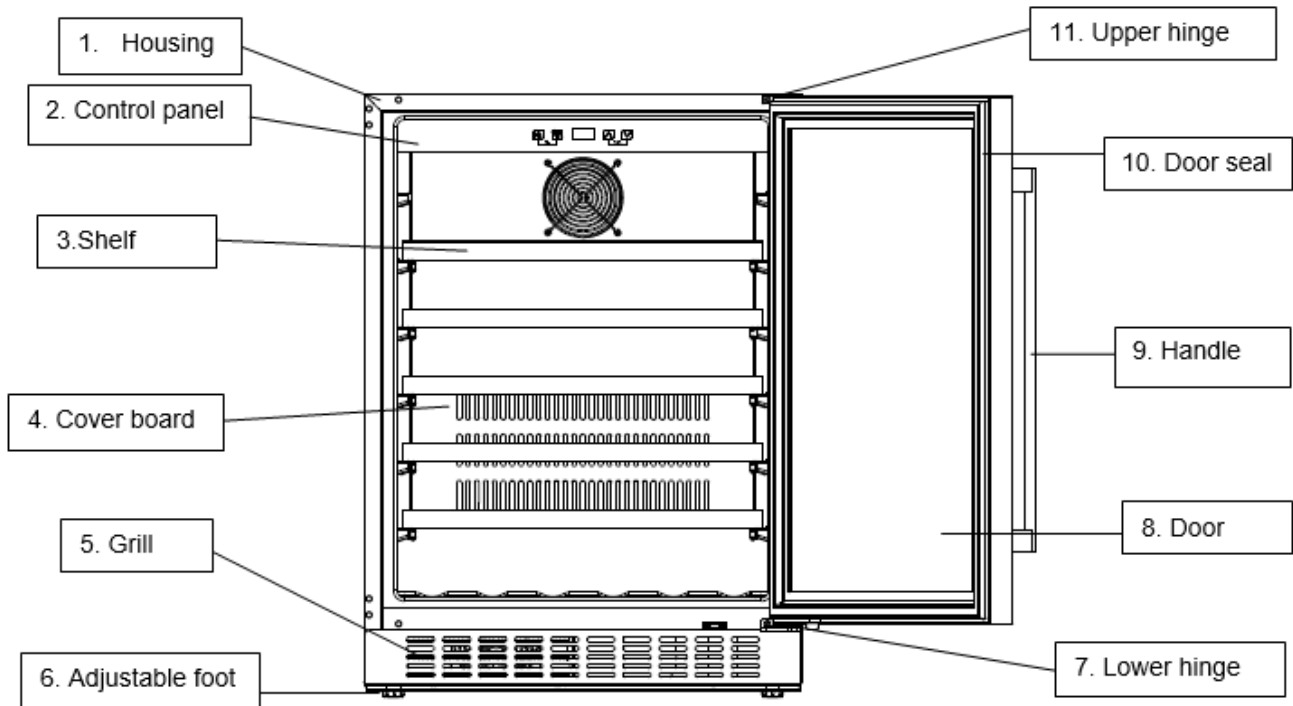


# Installation Instructions

## Electrical Connection

Before plugging in, ensure that the voltage and frequency shown on the rating plate correspond to your domestic power supply. The appliance must be earthed. The power supply cable plug is provided with a contact for this purpose. If the domestic power supply socket is not earthed, connect the appliance to a separate earth in compliance with current regulations, consulting a qualified electrician.

## Appliance Overview



**Note:** Depending on the actual model you purchased, some models may have recessed handles instead of external handles.

# Operating Instructions

## Start Operation

### 1. Cleaning the compartment

Before power on, clean inside of the appliance and check the drainage pipe in good connection. (For details, please refer to the "Maintenance and cleaning")

### 2. Position the appliance

Before power on, level the appliance on the firm & dry floor for at least 30 minutes.

### 3. Power on

The appliance will operate and go to its **default temperature** after 1 hour, otherwise you should check the power connection.

## Control Panel



All keys would be invalid in lock mode. Please unlock first.



### **ON/OFF**

Press the button and hold 3 seconds for power on or standby mode.



### **Light**

Press the button, turn on or turn off the LED lights inside. In stand-by mode, the key is invalid.



### **UP**

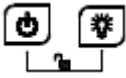
Press the button once, LED Display in regular flash showing current set temperature. Continue pressing to adjust set temperature, each increment is 1°C. Flashing temperature being set will stop after 5 seconds of no further adjustment and this temperature will save. LED display return to show actual temperature inside.



### **Down**

Press the key once, LED Display in regular flash showing current set temperature. Continue pressing to adjust set temperature, one press reduce 1°C. Regular flash quit after 5 seconds detecting no press and new set temperature save. LED display return to show actual temperature inside.

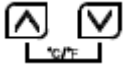
# Operating Instructions



## Child Lock (Combination key)

Lock - Press both keys at the same time for 3 seconds to lock.

Unlock - Press both keys at the same time for 3 seconds to unlock.



## Fahrenheit/Celsius display interchange

Switch temperature unit between Fahrenheit and Celsius by pressing both keys at the same time for 3 seconds.



## Attention

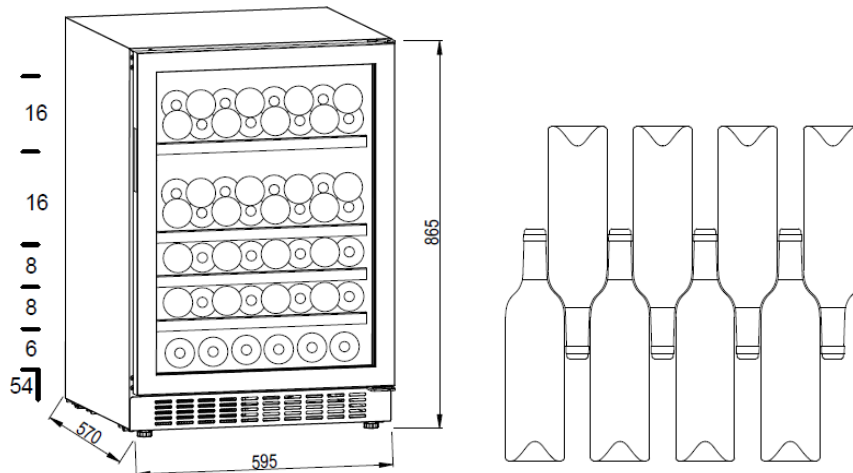
1. The ex-factory temperature of this product is 12°C, and the corresponding temperature range needs to be set according to the actual wine.
2. The cooling temperature could be set from 5 to 20°C.
3. Alarm sound: when the system malfunction occurs and the alarm sound, press any key on the control panel to cancel the alarm sound.
4. Error code:  
When the temperature sensor failures occur, error code displays: E1 for open circuit; E2 for short circuit.

When the defrost sensor failures occur, error code displays: E3 for open circuit; E4 for short circuit.

# Operating Instructions

## Wine storage

- The appliance provides sufficient independent shelves to allow your collection of wine to mature quietly and peacefully.
- **Four** wooden shelves loading capacity: **54** bottles. (Standard Bordeaux with 750ml)



- Loading capacity will vary in terms of different way of bottle arrangement or different bottle sizes.
- Each shelf is designed to hold 1 or 2 layers of wine bottles. More than 2 layers of bottle arrangement on one shelf are not recommended.
- Each shelf sliding roller could pull out partly to store wine bottles easily.
- Open the door straight enough before pulling out shelves.
- The shelf should be avoided in front of the fan as much as possible to avoid blocking the air inlet and affecting the cooling efficiency.
- If the wine cooler has no load for a long time, it is recommended to power it off, clean it carefully, and open the door for ventilation.
- Below table is the recommended temperature for wine storing & drinking:

Red Wine	15-18°C
White Wine	9-14°C
Rose wine	10-11°C
Champagne & sparkling wine	5- 8°C



## Troubleshooting

The appliance makes lots of noise?	<ul style="list-style-type: none"> <li>● Please adjust the front foot, keep the appliance leveling.</li> <li>● Please keep the appliance a bit space from walls.</li> </ul>
Liquid flowing sound inside the cabinet?	<ul style="list-style-type: none"> <li>● It is normal because of the refrigerant working inside.</li> </ul>
The appliance does not start?	<ul style="list-style-type: none"> <li>● Make sure the appliance is connected to the power properly.</li> <li>● Make sure switch on the power.</li> <li>● The compressor re-starts after 5 minutes for a power cut.</li> </ul>
Compressor runs continuously?	<ul style="list-style-type: none"> <li>● If no cold is being produced, call the after-sale service.</li> </ul>
Door does not seal tightly?	<ul style="list-style-type: none"> <li>● After long time use, the door seal might get stiff &amp; distorted partially.             <ol style="list-style-type: none"> <li>1. Heat the door seal with hot-wind blower or hot towel.</li> <li>2. The door seal get softened and close the door.</li> </ol> </li> </ul>
The appliance does not cool sufficiently?	<ul style="list-style-type: none"> <li>● Please adjust temperature setting.</li> <li>● Keep the appliance away from sunlight or heat.</li> <li>● Please do not open the door frequently.</li> </ul>
Unpleasant smells inside cabinet?	<ul style="list-style-type: none"> <li>● A little bit plastic smell for newly-buy appliance is normal and will disappear after a short time.</li> <li>● Clean the compartment and ventilate it for a few hours.</li> </ul>
Condensate on the glass door?	<ul style="list-style-type: none"> <li>● Please do not open the door frequently or for a long time.</li> <li>● Please do not set the temperature too low.</li> <li>● High ambient temperature and humidity would cause condensate.</li> </ul>
The light is not working?	<ul style="list-style-type: none"> <li>● Check the power supply first.</li> <li>● Call the retailer's after-sale service if the light is broken.</li> </ul>

## Cleaning and Maintenance

Always ensure that the power supply is switched off prior to conducting any maintenance or cleaning of the appliance.

### Cleaning the Appliance

- Disconnect the appliance before cleaning.
- Clean the appliance with soft cloth or sponge by water.
- Do not use organic solvents, alkaline detergent, boiling water, washing powder or acid liquid etc.
- Do not flush the compartment of the appliance.
- Clean regularly surfaces that can come in contact with accessible drainage systems.

**Note:** Do not clean the appliance with alkaline detergent, organic solvents, brushes, boiling water.

### Power cut

Most power cuts could be resolved within a short time. To protect your wines during a power cut, avoid opening the door as much as possible. During very long power cuts, take the necessary measures to protect your wine.

### Out of service for long time

Remove all bottles from the appliance, switch off, defrost, clean, dry, and leave the door open to prevent mould developing within the appliance.



If the appliance is disconnected or if there is a power cut, you must wait at least five minutes before re-starting.

### Moving the appliance

- Cut off the power supply and unplug the appliance.
- Remove all bottles from the appliance.
- When moving the appliance, do not lean the appliance over 45°.

# Warranty Certificate (New Zealand)

## Terms and Conditions

The following conditions apply in respect of the warranty given in this certificate:

1. Monaco Corporation Limited ("Monaco") warrants the following Robinhood products against manufacturing defects and faulty materials, under normal use and subject to the exclusions in this certificate, for a period of:
  - Rangehood, Ovens, Cooktops, Dishwashers, Refrigeration - 24 months from date of original purchase for domestic use.
  - Uniduct - 12 months from date of original purchase for domestic use.
  - Ironing centre - 12 months from date of original purchase for domestic use.
  - Sinks sets- 5 years on stainless steel sink including draining bench from date of original purchase for domestic use, 6 months on all stainless steel accessories, including wire rack, colander and tray from date of original purchase for domestic use.
  - Laundry Tub - 5 years on stainless bowl, 24 months on Tap, Cabinet and other components from the date of original purchase for domestic use.

"Original purchase", when used in this certificate, means purchase by the customer directly from Monaco or one of its approved suppliers.

2. This warranty is limited to the repair or replacement, at our option, within the warranty period of any component part which we at our discretion determine to contain faulty materials or a manufacturing defect in breach of this warranty. This warranty is subject to terms and conditions set out in this certificate.
3. The warranty only applies within New Zealand.
4. The customer must produce the original invoice or other purchase documentation as proof of the original purchase date.

## Warranty exclusions

1. The warranty does not apply where, in Monaco's opinion:
  - The defect is caused by misuse, wear and tear, dirt, fire or accidental damage. The product has been repaired or serviced by an unauthorised person.
  - The product was not installed in accordance with our instructions.
  - The product was purchased overseas or was not designed for use in New Zealand. The product was not used, cleaned or cared for in accordance with our instructions.
  - The product was used outdoors.
2. In addition, this warranty does not extend to damage or defects which in our opinion, directly or indirectly arise from or are due to:
  - Exposing the product to acidic or corrosive materials or chemicals such as dyes, solvents, denture cleaner or acetone; Using inappropriate household cleaning products such as abrasive cream or powder cleansers, furniture polish, bleach, mentholated spirits, drain cleaners, sugar soap, metal pads and strongly alkaline or acidic cleaners;
  - Heat damage, including from washing the product at high temperatures;
  - Impact or mishandling the product, including the impact caused by objects scraped along, thrown or dropped on the product surface or excessive weight being placed on the product;
  - Structural or support changes in or affecting the building or the application where the product has been installed;
  - Failure to clean or maintain the product as recommended; or any other causes specified in the product information as being excluded from this warranty.
3. Variations with the colour or gloss within the product or any ageing or fading of colour, shine or gloss level over time are not covered by this warranty. The warranty does not cover visual imperfections or blemishes in the surface and edges of the product that were not brought to your supplier's attention at the time you inspected the product.
4. Costs incurred on installation or removal of a product, or any reinstallation of a product, or any associated costs, are not covered by this warranty.
5. Monaco will not be liable for consequential or indirect loss or damage whatsoever and however arising out of or in connection with the supply, performance or removal of the product, including (but not limited to) loss of profit, loss of revenue, loss of contract, loss of goodwill or increased cost of workings, even if due to the negligence of Monaco or any of its approved suppliers, employees or agents.
6. Charcoal filters and light bulbs are not covered by this warranty
7. This warranty and the statements contained in this certificate or other documents given to you do not exclude, restrict or modify the application of any term implied into this warranty by statute, provided that (to the extent any statutory provision permits Monaco to limit its liability for a breach of an implied condition or warranty) Monaco's liability for such breach is limited to the payment of the cost of replacing the product, repairing the product or acquiring an equivalent product.
8. Subject to clause 5, our obligations under this warranty are limited to those set out in this certificate, and this warranty is expressly instead of all other warranties, express or implied, including any implied warranty of merchantability or fitness for a particular purpose and notwithstanding any course of dealing between the parties or custom and usage in trade to the contrary.

Terms and conditions are subject to change.