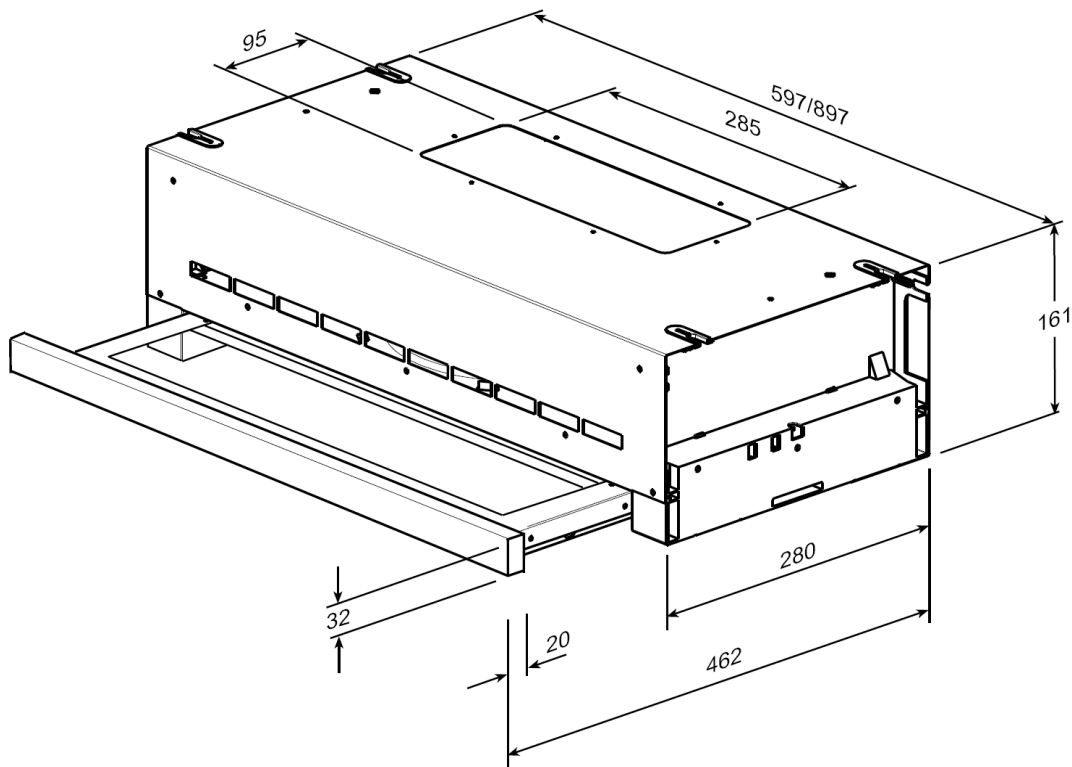


Description: **ROBINHOOD SLIDEOUT**
 Model Number: **RV6WH, RV6SS, RV9WH, RV9SS**

Typical design



Features and benefits

- **High performance extraction fan**
 High performance extraction fan rapidly removes steam, smoke and cooking smells from your kitchen. Three-speed switch lets you select the fan strength you need – low speed for steamed vegetables; full speed for stir fries.
- **Halogen lamps**
 50 watt halogen lamps illuminate the entire cooking surface. Lamps are quick and easy to replace.
- **Multi-layered micromesh filters**
 Multi-layered micromesh filters effectively trap grease. They're simple to remove and are easily maintained with a regular clean in the dishwasher.
- **Rectilinear design**
 Simple styling makes cleaning easy. High quality stainless or powder coated steel and the fingertip controls are easy to clean with a damp cloth.
- **Thermal overload switch**
 Thermal overload function that senses extreme heat and disconnects power to the motor temporarily. If you have a cooking disaster, and something catches fire, the rangehood automatically switches off to prevent flames and sparks being sucked into the ducting or ceiling.
- **Recirculation option**
 In situations where ducting isn't possible, your rangehood can be fitted with charcoal filters that effectively cleanse the air before returning it to the kitchen.
- **Removable glass tray**
 Helps to illuminate the cooking area by allowing light to pass through the glass in the slideout tray.

Specifications

Technical data:

- 3 speed axial motor
- 2 x 50 Watt halogen lamps
- Gauge of steel: 0.6mm
- Type of steel: panel steel
- Finish of steel (RV6SS, RV9SS): powder coat mat black body, stainless steel handle
- Finish of steel (RV6WH, RV9WH): powder coat appliance white
- 230-240V. 50 Hz. 165Watt max.
- Tested to EMC AS/NZS4417
- Electrical approval AS3310-1992
- Performance tested to AS2682-1984
- Filter specifications: Three layered micro mesh
- Length of power cord: 1200mm
- Ducting outlet: 285 x 95mm top or rear
- Recirculation option through front grille

Gross weight: 6.3 kg (600 model), 8.5 kg (900 model)

Volume: 0.035m³ (600 model), 0.052m³ (900 model)

Carton dimensions : 310 x 185 x 615mm (600 model), 310 x 185 x 915mm (900 model)

Rangehood dimensions: 280 x 161 x 597mm (600 model), 280 x 161 x 897mm (900 model)

Performance data:

Fan speed 1	241m ³ /hr
Fan speed 2	363m ³ /hr
Fan speed 3	425m ³ /hr
Noise speed 1	53dB
Noise speed 2	61dB
Noise speed 3	62dB

New Zealand

Robinhood Ltd
Telephone: 0800 760 667
Facsimile: 0800 276 246
Email: enquiries@robinhood.co.nz
www.robinhood.co.nz

Australia

Robinhood PTY Ltd
Telephone: 1800 648 556
Facsimile: 1800 628 577
Email: enquiries@robinhood.com.au
www.robinhood.com.au

