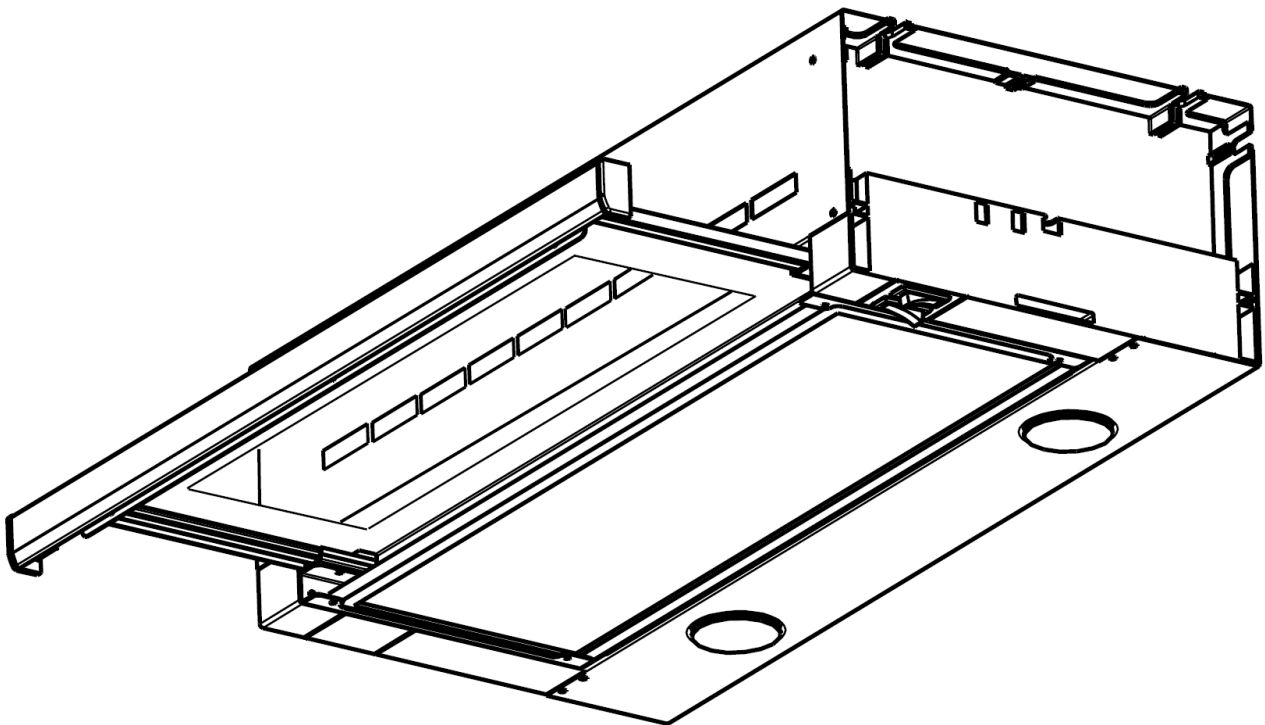
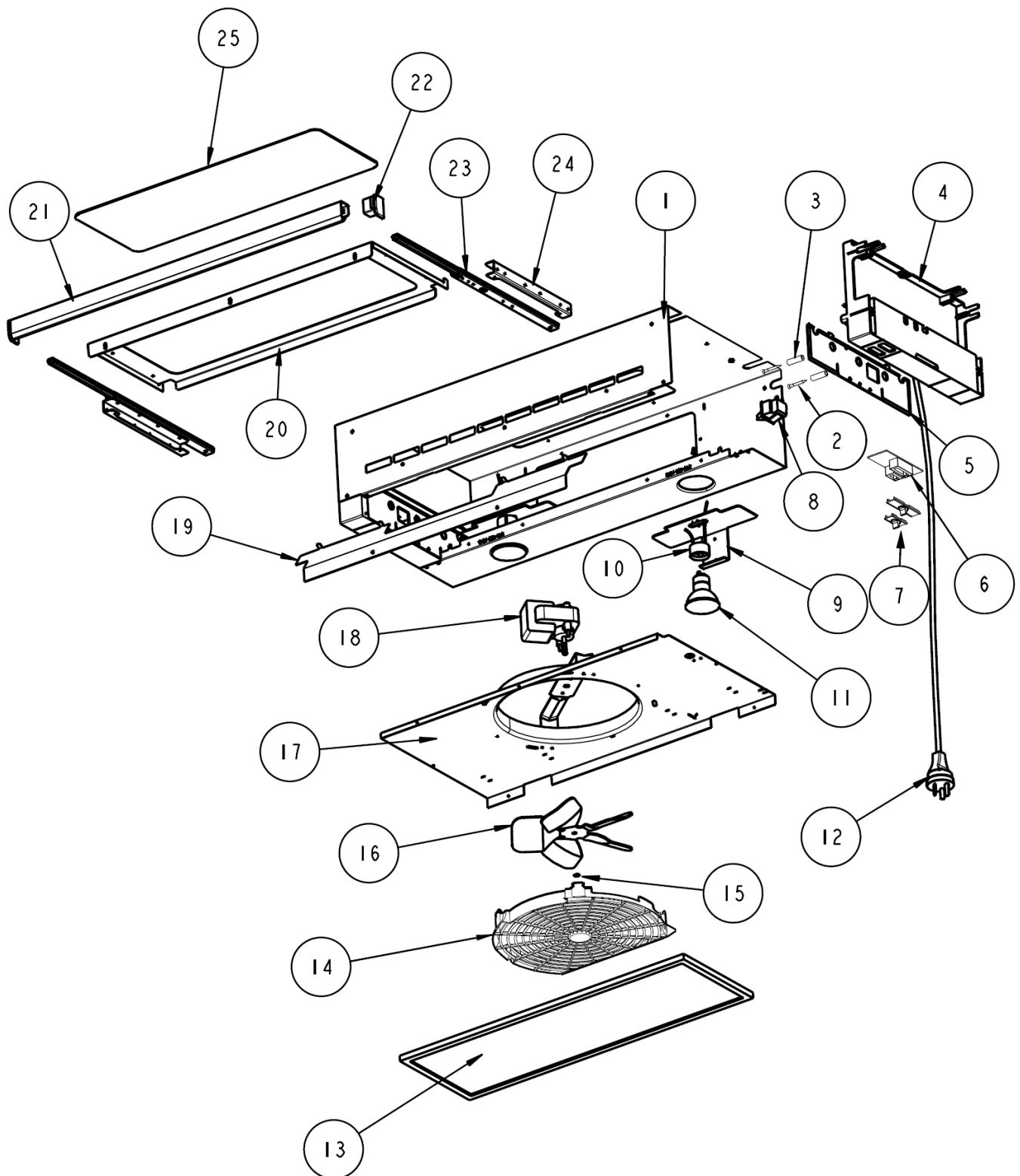


Description: **ROBINHOOD SLIDEOUT**
Model Number: **RV6WH, RV6SS, RV9WH, RV9SS**



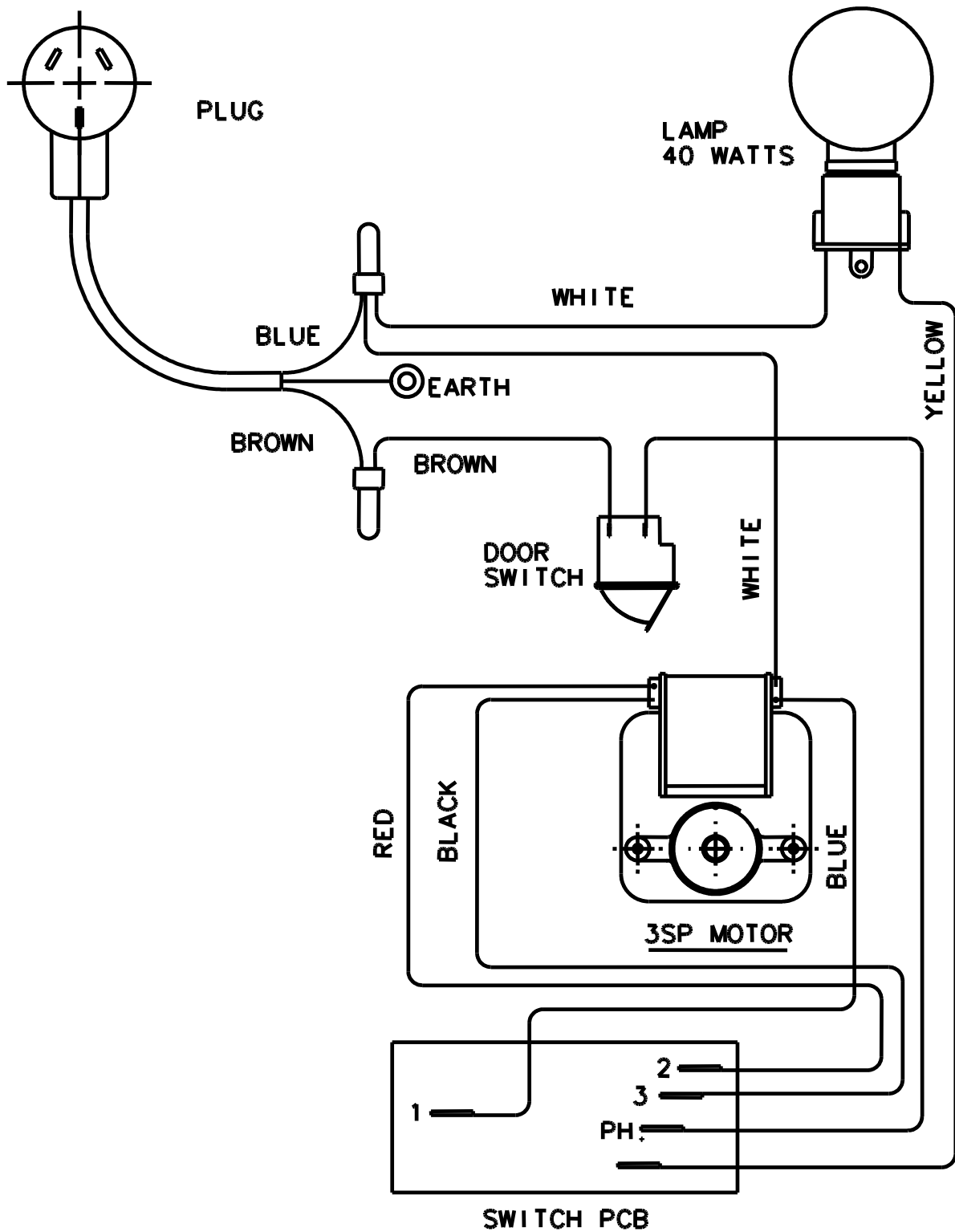
Model pictured: **RV6WH / SS**

Exploded view

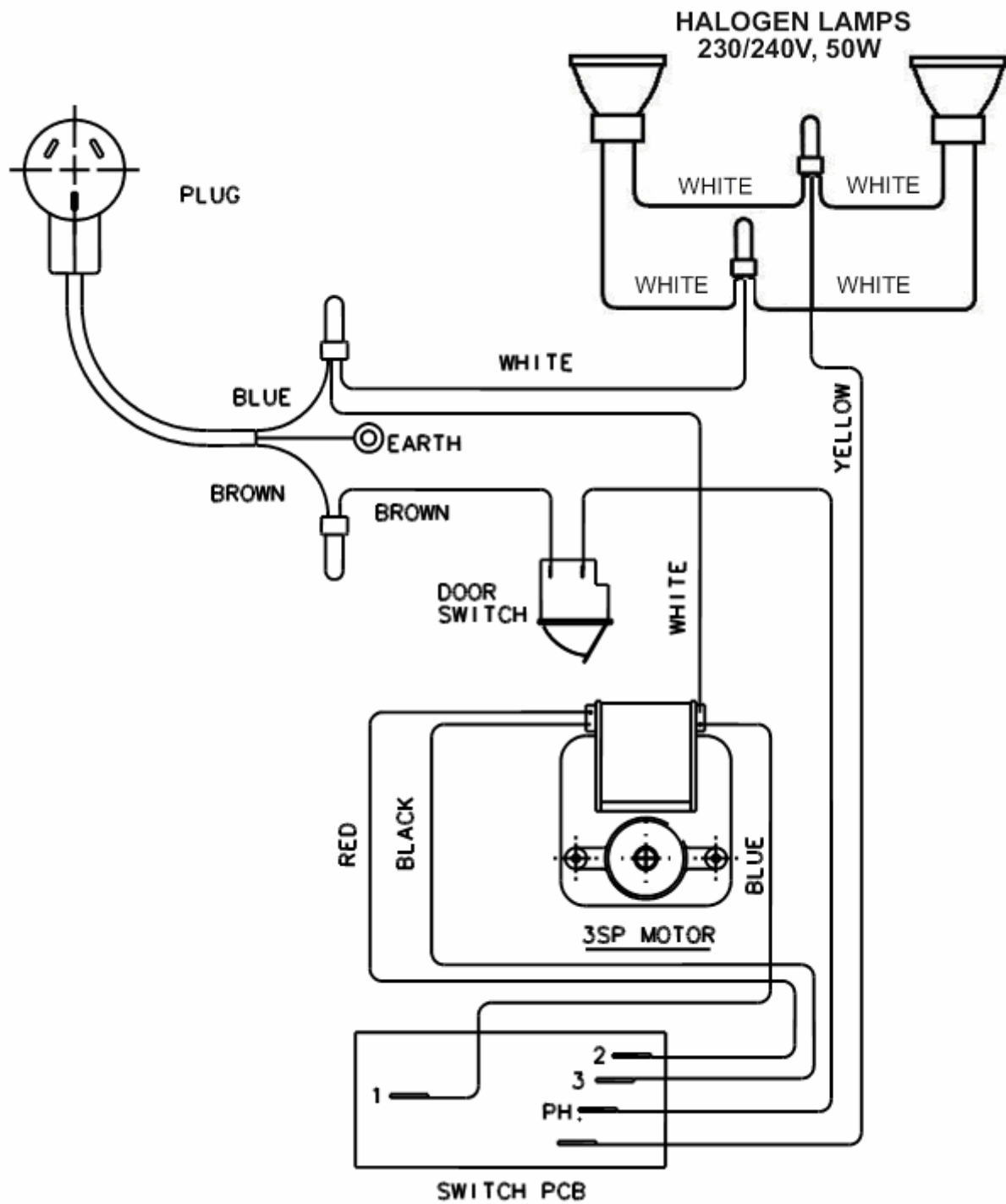


Item	Description	Part number	
		RV6WH	RV6SS
1	Body wrapper	*	
2	Side Fixing Screw	See item 27	
3	Hollow Dowel	See item 27	
4	Plastic Side	See item 26	See item 26
5	Plastic Side Cover (Switch)	See item 26	See item 26
	Plastic Side Cover (Blank)	See item 26	See item 26
6	3 sp switch assy	103593	
7	Slider Switches (<i>If manufactured post 8/9/08</i>) Slider Switches (<i>If manufactured pre 8/9/08</i>)	102268WH	102268WH 102268BL
8	Door Switch	102686	
9	Halogen light bracket	*	
10	Halogen Lamp Holder (<i>If manufactured post 21/4/08</i>)	111021	
	Incandescent Lamp Holder (<i>If manufactured pre 21/4/08</i>)	101104	
11	Halogen Lamp (<i>If manufactured post 21/4/08</i>)	111020	
	Incandescent Lamp (<i>If manufactured pre 21/4/08</i>)	102722	
12	Power Cord	103821	
13	Filter Alu 508 x 172	103794	
	Filter Charcoal 508 x 172	103794C	
14	Finger Guard	103798	
15	E-Clip	999084	
16	Fan Blade	102283	
17	Motor Housing	*	
18	Uppco Motor – 2 speed	103674	
19	Rear Cover	*	
20	Tray (<i>If manufactured post 8/9/08</i>)	103595WH	103595WH
	Tray (<i>If manufactured pre 8/9/08</i>)		103595BL
21	Front Handle	103774WH	103775SS
22	End Cap (<i>If manufactured post 8/9/08</i>)	103778WH	103778WH
	End Cap (<i>If manufactured pre 8/9/08</i>)		103778BL
23	Sliding track	102245	
24	Slider Bracket (<i>If manufactured post 8/9/08</i>)	103358WH	103358WH
	Slider Bracket (<i>If manufactured pre 8/9/08</i>)		103358BL
25	Glass	103590	
26	Side plastic kit (<i>If manufactured post 8/9/08</i>)	111050	111050
	Side plastic kit (<i>If manufactured pre 8/9/08</i>)		111051
27	Side fixing screw and dowel kit	111053	
28	Top fixing screw kit (not shown)	111070	

Item	Description	Part number	
		RV9WH	RV9SS
1	Body wrapper	*	
2	Side Fixing Screw	See item 27	
3	Hollow Dowel	See item 27	
4	Plastic Side	See item 26	See item 26
5	Plastic Side Cover (Switch)	See item 26	See item 26
	Plastic Side Cover (Blank)	See item 26	See item 26
6	3 sp switch assy	103593	
7	Slider Switches (<i>If manufactured post 8/9/08</i>) Slider Switches (<i>If manufactured pre 8/9/08</i>)	102268WH	102268WH 102268BL
8	Door Switch	102686	
9	Halogen light bracket	*	
10	Halogen Lamp Holder (<i>If manufactured post 21/4/08</i>)	111021	
	Incandescent Lamp Holder (<i>If manufactured pre 21/4/08</i>)	101104	
11	Halogen Lamp (<i>If manufactured post 21/4/08</i>)	111020	
	Incandescent Lamp (<i>If manufactured pre 21/4/08</i>)	102722	
12	Power Cord	103821	
13	Filter Alu 508 x 172	103795	
	Filter Charcoal 508 x 172	103795C	
14	Finger Guard	103798	
15	E-Clip	999084	
16	Fan Blade	102283	
17	Motor Housing	*	
18	Uppco Motor – 2 speed	103673	
19	Rear Cover	*	
20	Tray (<i>If manufactured post 8/9/08</i>)	103596WH	103596WH
	Tray (<i>If manufactured pre 8/9/08</i>)		103596BL
21	Front Handle	103776WH	103777SS
22	End Cap (<i>If manufactured post 8/9/08</i>)	103778WH	103778WH
	End Cap (<i>If manufactured pre 8/9/08</i>)		103778BL
23	Sliding track	102245	
24	Slider Bracket (<i>If manufactured post 8/9/08</i>)	103358WH	103358WH
	Slider Bracket (<i>If manufactured pre 8/9/08</i>)		103358BL
25	Glass	103591	103591
26	Side plastic kit (<i>If manufactured post 8/9/08</i>)	111050	111050
	Side plastic kit (<i>If manufactured pre 8/9/08</i>)		111051
27	Side fixing screw and dowel kit	111053	
28	Top fixing screw kit (not shown)	111070	



Wiring diagram - For models manufactured after the 21st April 2008



New Zealand
Robinhood Ltd
Telephone: 0800 760 667
Facsimile: 0800 276 246
Email: enquiries@robinhood.co.nz
www.robinhood.co.nz

Australia
Robinhood PTY Ltd
Telephone: 1800 648 556
Facsimile: 1800 628 577
Email: enquiries@robinhood.com.au
www.robinhood.com.au