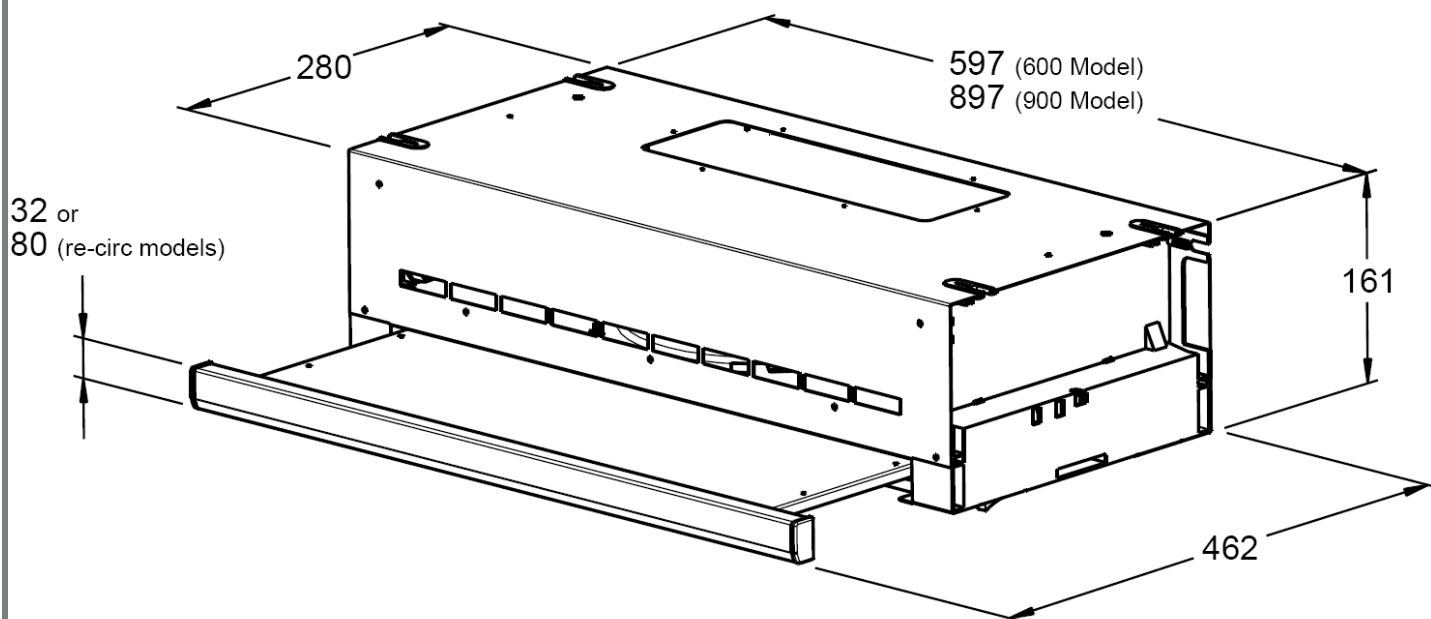
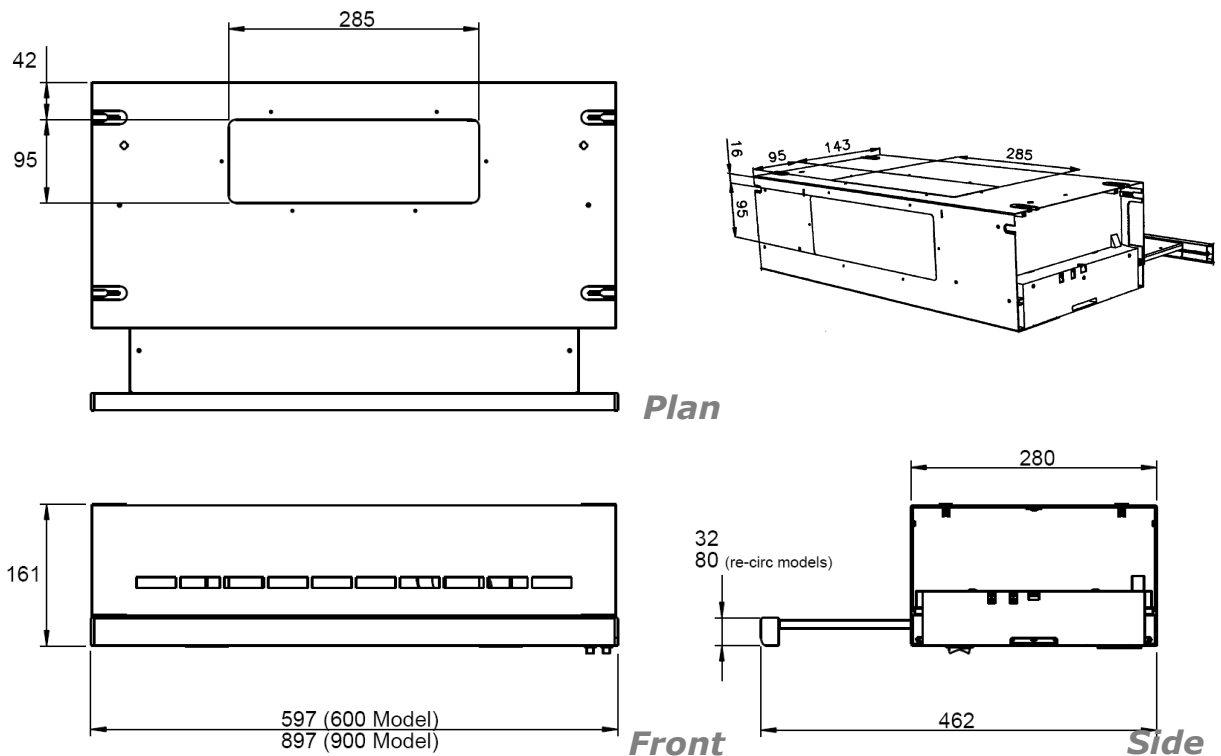


Description: **ROBINHOOD SLIDEOUT**
Model Numbers: **RT6WH, RT6SS, RT9WH, RT9SS**
RLES6WH, RLES6SS, RLES9WH, RLES9SS
RI6WH, RI6SS, RI9WH, RI9SS
RO6WH, RO6SS, RO9WH, RO9SS
RO6WH80, RO6SS80
RV6WH, RV6SS, RV9WH, RV9SS



*All dimensions in mm
Model may vary slightly from images pictured*

Overview



Pre-installation

Thank you for purchasing a quality Robinhood rangehood. Robinhood has a high standard of quality control and every rangehood is tested and approved before it leaves the factory.

Important:

- Please read the entire instructions before installing the rangehood.
- Always switch power off prior to installation.
- Stainless steel or powder coat is very easily damaged during installation if abraded or knocked by tools. Protect the rangehood with the cardboard box or plastic bag during installation.
- All electrical work must be done in accordance with local and national electrical codes as applicable.
- For safety, this product must be earthed.
- A power outlet should be within 1000mm of the power cord exit from the rangehood.
- The socket must be accessible and enable the end user to isolate the rangehood from the power for the purpose of internal cleaning or maintenance.
- All ducting must comply with local requirements and building codes.
- Suitable fixings will be required to mount this rangehood.
- See Ducting options next page.

Contents of packaging:

- 1 x rangehood
- 1 x Installation sheet
- 1 x Installation kit - "SIDE FIXING"
- 1 x Installation kit - "TOP FIXING"

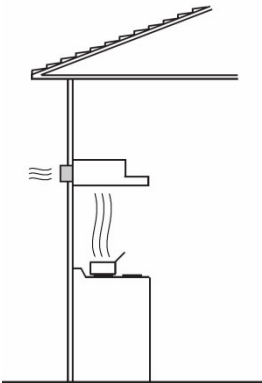
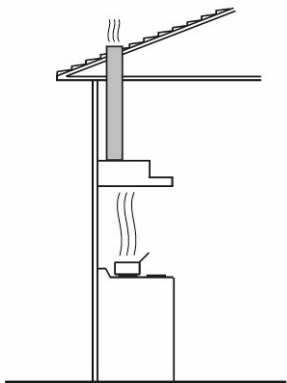
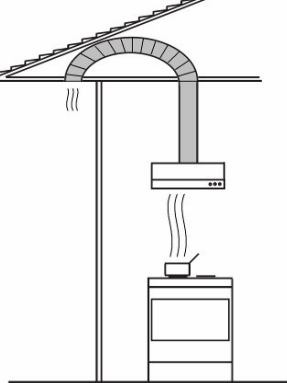
Typical equipment required:

- electric drill
- screwdriver
- tape measure
- spirit level
- duct tape (*if ducting*)
- jig saw (*if ducting*)
- ladder (*if ducting*)

Ducting Options

The method of ducting should be carefully considered before installing the rangehood. The guide below recommends the ducting components to use for all common ducting configurations - through the top of the home (for the roof and soffit) and through the rear of the home. 285 x 85mm rectangular or 150mm round ducting (using a rectangular to round adapter) can be used in conjunction with this model rangehood. Alternatively this rangehood can be operated in recirculation mode (see pg 4).

The highlighted area in the table below gives the recommended Uniduct item numbers for different mounting and outlet options.

		Duct mounting option		
		Rear	Top (roof)	Top (soffit/eave)
				
		Uniduct item numbers		
Duct outlet option	285mm x 85mm Rectangular outlet	1575	1570 and 1571	1570 and 1596(x2) and 1600
	Ducting outlet adapted to 150mm round		1637 and 1613	1637 and 1687

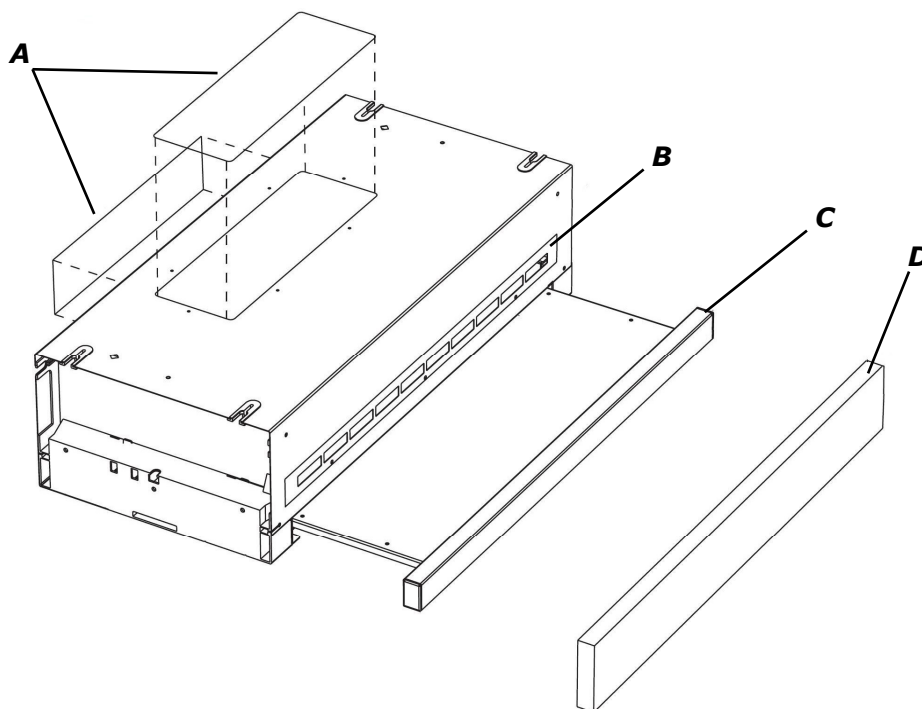
Extra lengths and/or bends may be required, depending on the length required and whether there is any structural material in the run e.g. rafters.

Please note that this chart is designed as a guide. Please consult Robinhood customer services if unsure. For NZ phone 0800 760 667 or www.robinhood.co.nz. For AUS phone 1800 648 556 or www.robinhood.com.au.

Pre-Installation - preparing the rangehood for installation

Ducted rangehood

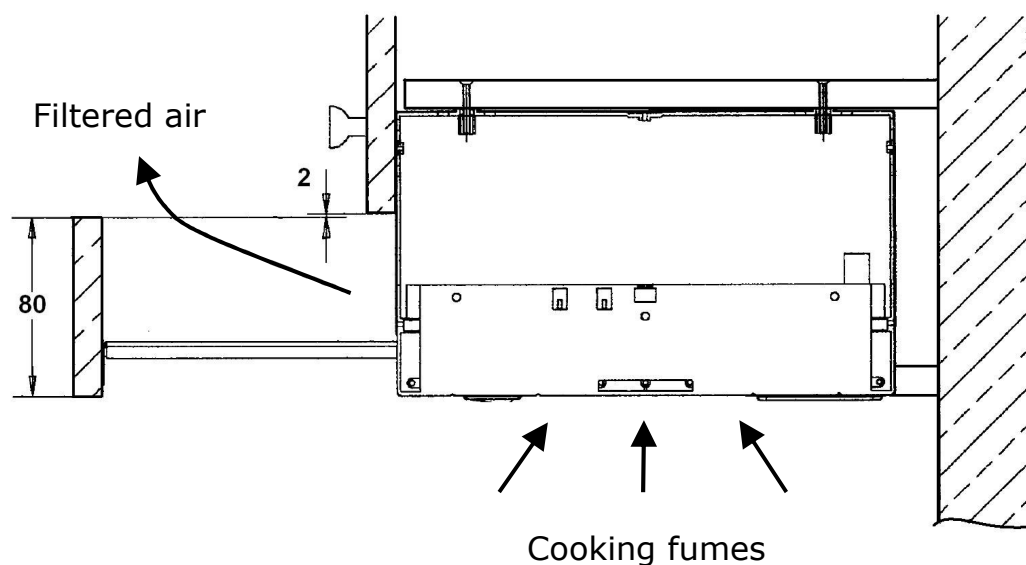
If the rangehood is to be installed as a ducted hood, remove the appropriate duct knockout **A**.



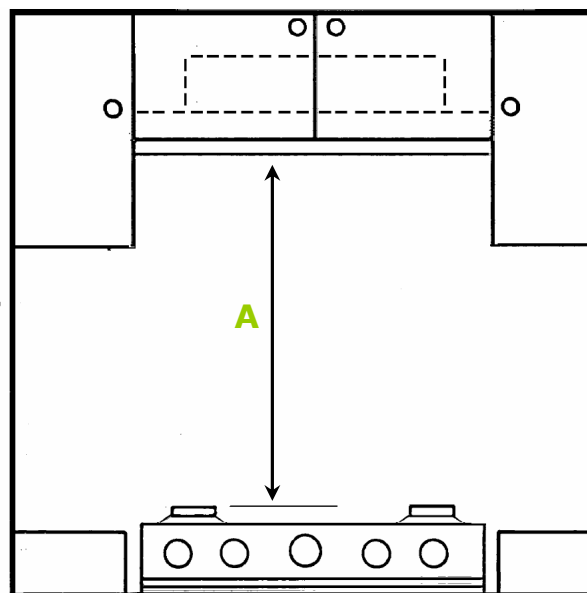
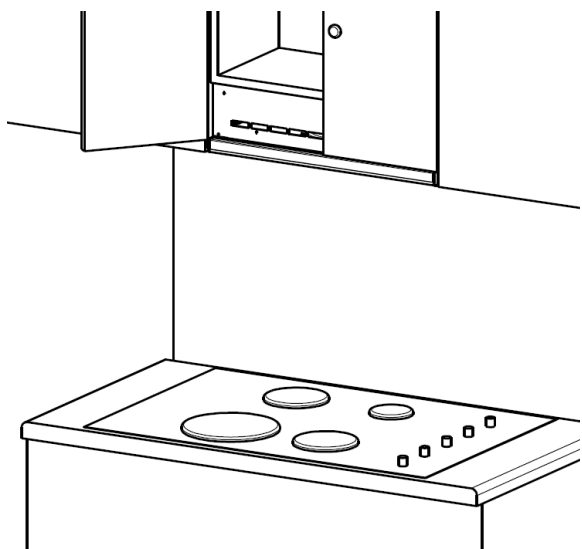
Recirculating rangehood

If the rangehood is to be installed as a recirculating hood, first ensure the overhead cabinets are built according to the diagram below, and

1. Remove the Cover Tape **B**.
2. If an 80mm handle is not installed. Remove the Front Fascia **C** by undoing the 3 screws on the fascia.
3. Replace **C** with the Replacement Front Panel **D** constructed of the same or similar material as the cupboard doors. See the diagram below for the height of panel.



Installation

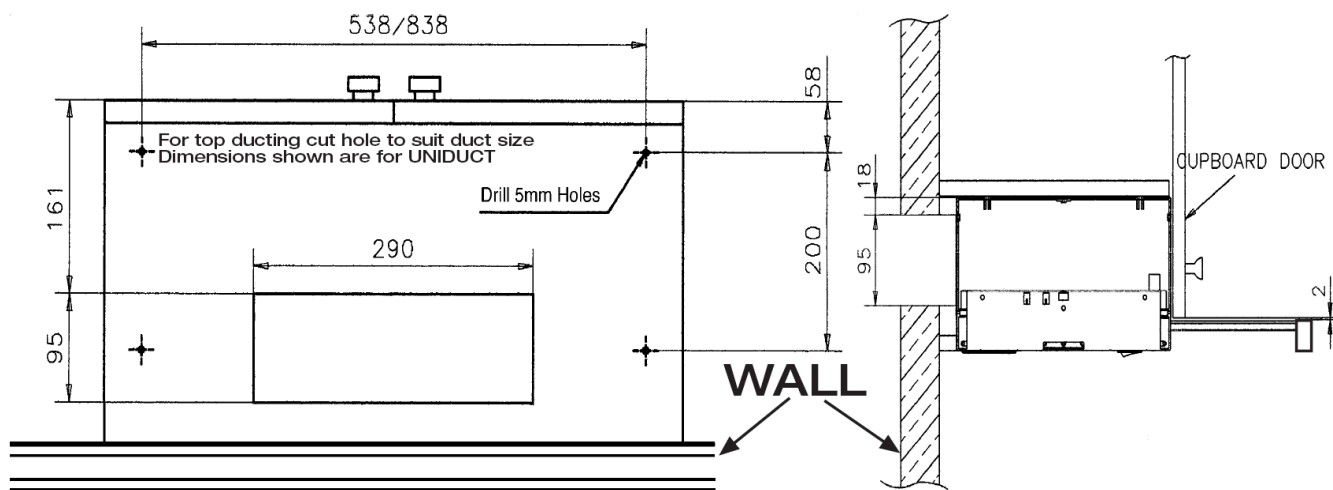


- A** **Minimum** height from the hob surface to the underside face of the rangehood (wall or cabinet mounting)
600mm electric hob
650mm gas hob

Note: If the instructions for the gas hob specify a greater distance, this has to be taken into account.

Mounting to underside of cabinetry

Fix the rangehood to a shelf mounted at the correct height in the wall unit, by drilling four holes (see diagram below) and fixing with the four screws supplied (found in the bag labelled "**TOP FIXING**"). The position of the holes can quickly be found using the installation sheet provided.



Mounting to the cabinetry sides

See Installation sheet provided. When mounting to the cabinetry sides, please ensure the correct dowels and screws are used. These can be found in the bag labelled "**SIDE FIXING**".

PLEASE NOTE: Using the incorrect screws for the installed mounting method may cause damage to the product.

Operating instructions

Light

The light can be operated independently from the fan and is controlled in accordance with the graphics printed on the control panel.

Fan

The fan can be run at different speeds depending on the cooking requirements and is controlled in accordance with the graphics printed on the control panel.

Cleaning and maintenance

General Maintenance

Switch off the rangehood before cleaning or maintenance. To prevent surface damage never use abrasive or oil based liquid cleaners. To clean the surfaces of the appliance, use mild detergent and warm water. In areas of high humidity and coastal environments cleaning should be carried out frequently.

Warning: a build up of oil may occur if the compact canopy is not cleaned regularly.

Filter Maintenance

To maintain efficiency, the filters should be removed regularly (approximately monthly), and washed using hot soapy water or the dishwasher. **Note - some discolouration of the frame may occur if washed in the dishwasher.**

Rangehoods fitted with charcoal filters are designed to remove grease and odours from cooking vapours prior to the cleansed air re-entering the kitchen (when the rangehood is in recirculation mode). Charcoal filters should be replaced every two to four months depending on use.

Note: Fully saturated charcoal filters can become a barrier to air movement therefore limiting rangehood performance. In the event of fire, grease laden filters could be flammable and therefore regular replacement is recommended. In ducted installations, conventional aluminium filters are recommended.

Replacement of Halogen Lamps

To replace a lamp, first disconnect the rangehood from the power supply. Apply finger pressure to the face of the lamp and twist one quarter turn anti-clockwise, the lamp will now be free to drop out. Insert the replacement lamp into the lamp holder, apply finger pressure and twist one quarter turn clockwise.

For any other problems please call help line on NZ 0800 760 667 or AUS 1800 648 556

Product approvals and ratings

Product approval number	QO3235
Product rating	165W Max at 230-240V 50Hz (RV, RT, RI, RLES models) 160W Max at 230-240V 50Hz (RO models)
Electric approval AS/NZS	AS3310-1992
EMC AS/NZS	AS/NZS4417
Performance tested	AS2682-1984

Important safety information

- This appliance is not intended for use by persons (including children) with reduced physical, sensory or mental capabilities, or lack of experience and knowledge, unless they have been given supervision or instruction concerning use of the appliance by a person responsible for their safety.
- Young children should be supervised to ensure that they do not play with the appliance.
- There shall be adequate ventilation of the room when the rangehood is used at the same time as appliances burning gas or other fuels.
- You must read the details concerning the method and frequency of cleaning.
- There is a fire risk if cleaning is not carried out in accordance with the instructions.
- Do not flambé under the rangehood.
- Exhaust air must not be discharged into an existing flue which is used for exhausting fumes from appliances burning gas or other fuels.
- The minimum distance between the hob surface and the lowest part of the rangehood is 600mm. This distance shall be at least 650mm, if the rangehood is installed over a gas hob. If the instructions for the gas hob specify a greater distance, this has to be taken into account.
- Attention should be given to ensure that any applicable regulations concerning the discharge of exhaust air is fulfilled.
- If the supply cord of this equipment is damaged, it must only be replaced by the manufacturer or its service agent or a similarly qualified person in order to avoid a hazard.

Warranty Certificate (New Zealand)

Terms and Conditions

The following conditions apply in respect of the warranty given in this certificate:

1. Robinhood Limited ("Robinhood") warrants the following products against manufacturing defects and faulty materials, under normal use and subject to the exclusions in this certificate, for a period of:
Rangehood – 24 months from date of original purchase for domestic use.
Uniduct – 12 months from date of original purchase for domestic use.
Ironing centre – 12 months from date of original purchase for domestic use.
"Original purchase", when used in this certificate, means purchase by the customer directly from Robinhood Limited or one of its approved suppliers.
2. This warranty is limited to the repair or replacement, at Robinhood's option, within the warranty period of any component part which Robinhood at its discretion determines to contain faulty materials or a manufacturing defect in breach of this warranty. This warranty is subject to terms and conditions set out in this certificate.
3. The warranty only applies within New Zealand.
4. The customer must produce the original invoice or other purchase documentation as proof of the original purchase date.

Warranty exclusions

1. The warranty does not apply where, in the opinion of Robinhood:
The defect is caused by misuse, wear and tear, dirt, fire or accidental damage.
The product has been repaired or serviced by an unauthorised person.
The product was not installed in accordance with Robinhood instructions.
The product was purchased overseas or was not designed for use in New Zealand.
The product was not used, cleaned or cared for in accordance with Robinhood's instructions.
The product was used outdoors.
2. In addition, this warranty does not extend to damage or defects which in Robinhood's opinion, directly or indirectly arise from or are due to:
Exposing the product to acidic or corrosive materials or chemicals such as dyes, solvents, denture cleaner or acetone;
Using inappropriate household cleaning products such as abrasive cream or powder cleansers, furniture polish, bleach, mentholated spirits, drain cleaners, sugar soap, metal pads and strongly alkaline or acidic cleaners;
Heat damage, including from washing the product at high temperatures;
Impact or mishandling the product, including the impact caused by objects scraped along, thrown or dropped on the product surface or excessive weight being placed on the product;
Structural or support changes in or affecting the building or the application where the product has been installed;
Failure to clean or maintain the product as recommended; or any other causes specified in the product information as being excluded from this warranty.
3. Variations with the colour or gloss within the product or any ageing or fading of colour, shine or gloss level over time are not covered by this warranty. The warranty does not cover visual imperfections or blemishes in the surface and edges of the product that were not brought to your supplier's attention at the time you inspected the product.
4. Costs incurred on installation or removal of a product, or any reinstallation of a product, or any associated costs, are not covered by this warranty.
5. Robinhood will not be liable for consequential or indirect loss or damage whatsoever and however arising out of or in connection with the supply, performance or removal of the product, including (but not limited to) loss of profit, loss of revenue, loss of contract, loss of goodwill or increased cost of workings, even if due to the negligence of Robinhood or any of its approved suppliers, employees or agents.
6. Charcoal filters and light bulbs are not covered by this warranty.
7. This warranty and the statements contained in this certificate or other Robinhood documents given to you do not exclude, restrict or modify the application of any term implied into this warranty by statute, provided that (to the extent any statutory provision permits Robinhood to limit its liability for a breach of an implied condition or warranty) Robinhood's liability for such breach is limited to the payment of the cost of replacing the product, repairing the product or acquiring an equivalent product.
8. Subject to clause 5, the obligations of Robinhood under this warranty are limited to those set out in this certificate, and this warranty is expressly instead of all other warranties, express or implied, including any implied warranty of merchantability or fitness for a particular purpose and notwithstanding any course of dealing between the parties or custom and usage in trade to the contrary.

Should warranty service be required, please contact Robinhood:

Free Phone: 0800 760 667

Free Fax: 0800 276 246

Email: enquiries@robinhood.co.nz

Website: www.robinhood.co.nz

Terms and conditions are subject to change without notice.

Warranty Certificate (Australia)

Terms and Conditions

The following conditions apply in respect of the warranty given in this certificate:

1. Robinhood warrants the following products against manufacturing defects and faulty materials, under normal use and subject to the exclusions in this certificate, for a period of:
Rangehood – 24 months from date of original purchase for domestic use.
Uniduct – 12 months from date of original purchase for domestic use.
Ironing centre – 12 months from date of original purchase for domestic use.
"Original purchase", when used in this certificate, means purchase by the customer directly from Robinhood Australia Pty Ltd or one of its approved suppliers.
2. This warranty is limited to the repair or replacement, at Robinhood's option, within the warranty period of any component part which Robinhood at its discretion determines to contain faulty materials or a manufacturing defect in breach of this warranty. This warranty is subject to terms and conditions set out in this certificate.
3. The warranty only applies within the Commonwealth of Australia.
4. The customer must produce the original invoice or other purchase documentation as proof of the original purchase date.

Warranty exclusions

1. The warranty does not apply where, in the opinion of Robinhood:
The defect is caused by misuse, wear and tear, dirt, fire or accidental damage.
The product has been repaired or serviced by an unauthorised person.
The product was not installed in accordance with Robinhood instructions.
The product was purchased overseas or was not designed for use in Australia.
The product was not used, cleaned or cared for in accordance with Robinhood's instructions.
The product was used outdoors.
2. In addition, this warranty does not extend to damage or defects which in Robinhood's opinion, directly or indirectly arise from or are due to:
Exposing the product to acidic or corrosive materials or chemicals such as dyes, solvents, denture cleaner or acetone;
Using inappropriate household cleaning products such as abrasive cream or powder cleansers, furniture polish, bleach, mentholated spirits, drain cleaners, sugar soap, metal pads and strongly alkaline or acidic cleaners;
Heat damage, including from washing the product at high temperatures;
Impact or mishandling the product, including the impact caused by objects scraped along, thrown or dropped on the product surface or excessive weight being placed on the product; Structural or support changes in or affecting the building or the application where the product has been installed;
Failure to clean or maintain the product as recommended; or
Any other causes specified in the product information as being excluded from this warranty.
3. Variations with the colour or gloss within the product or any ageing or fading of colour, shine or gloss level over time are not covered by this warranty. The warranty does not cover visual imperfections or blemishes in the surface and edges of the product that were not brought to your supplier's attention at the time you inspected the product.
4. Costs incurred on installation or removal of a product, or any reinstallation of a product, or any associated costs, are not covered by this warranty.
5. Robinhood will not be liable for consequential or indirect loss or damage whatsoever and however arising out of or in connection with the supply, performance or removal of the product, including (but not limited to) loss of profit, loss of revenue, loss of contract, lost of goodwill or increased cost of workings, even if due to the negligence of Robinhood or any of its approved suppliers, employees or agents.
6. Charcoal filters and light bulbs are not covered by this warranty.
7. This warranty and the statements contained in this certificate or other Robinhood documents given to you do not exclude, restrict or modify the application of any term implied into this warranty by statute, provided that (to the extent any statutory provision permits Robinhood to limit its liability for a breach of an implied condition or warranty) Robinhood's liability for such breach is limited to the payment of the cost of replacing the product, repairing the product or acquiring an equivalent product.
8. Subject to clause 5, the obligations of Robinhood under this warranty are limited to those set out in this certificate, and this warranty is expressly instead of all other warranties, express or implied, including any implied warranty of merchantability or fitness for a particular purpose and notwithstanding any course of dealing between the parties or custom and usage in trade to the contrary.

Should warranty service be required, please contact Robinhood:

Free Phone: 1800 648 556

Free Fax: 1800 628 577

Email: enquiries@robinhood.com.au

Website: www.robinhood.com.au

Terms and conditions are subject to change without notice.

ECN: 08 162

New Zealand

Robinhood Ltd

Telephone: 0800 760 667

Facsimile: 0800 276 246

Email: enquiries@robinhood.co.nz

www.robinhood.co.nz

Australia

Robinhood PTY Ltd

Telephone: 1800 648 556

Facsimile: 1800 628 577

Email: enquiries@robinhood.com.au

www.robinhood.com.au

