

Description

ROBINHOOD POWERPACK 52CM STAINLESS STEEL
RUM52XCOM



Key Features

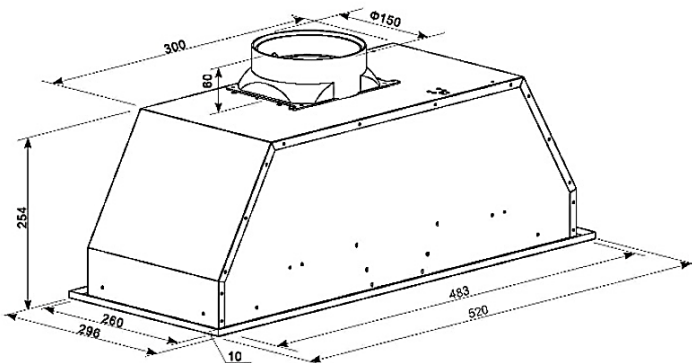
Max Motor Performance
 750 m³/hr

Power Levels
 3

Control Type
 Push Buttons

Lighting
 2 x 3W LED

Venting Type
 Ducted recommended



Dated 03/03/2022

Specifications

Voltage	220~240v
Frequency	50~60Hz
Motor Power	196W
Max Motor Performance	750 m ³ /hr
Lighting/ Colour Temperature	2x3W LED/ 6300K
Control Type	Push buttons
Power Levels	3
Filter	1xAluminum filter
Optional Charcoal filter	ATCF110
Ducting Outlet	Ø150mm
Power Cord Length	1.5M
Chimney(upper+lower)	No chimney
Product Dimensions (WxDxH)	520x296x314mm (including 60mm ducting outlet)
Packaging Dimensions (WxDxH)	575x330x340mm
Cut Out Size (WxD)	483x260mm
Net Weight	6.2 Kg
Gross Weight	7.2 Kg

IEC 61951 Tested Air Flow		
Power Level	Air Flow (m ³ /hr)	Noise Level (dB)
1	338	48
2	426	54
3	622	59