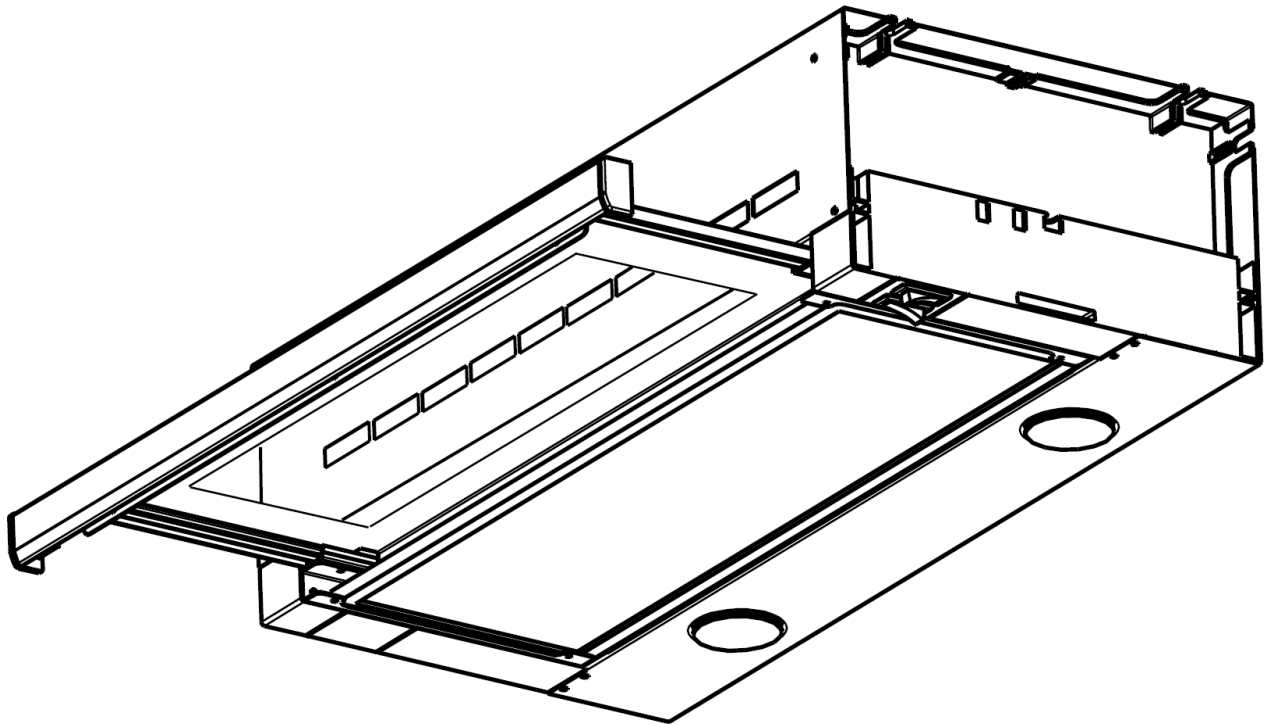
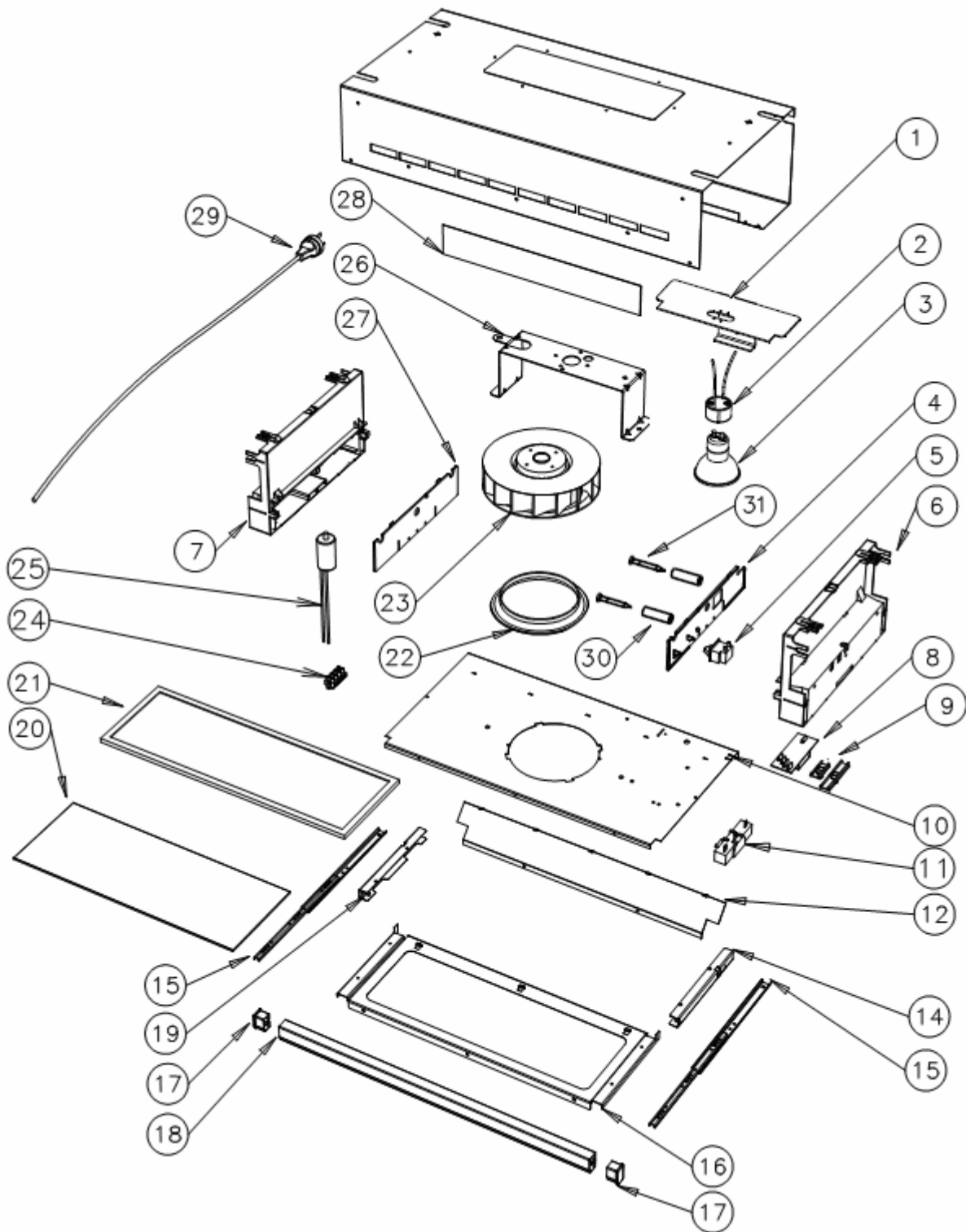


Description: **ROBINHOOD SLIDEOUT**
Model Number: **RT6WH, RT6SS, RT9WH, RT9SS**



Model pictured: **RT6WH / SS**

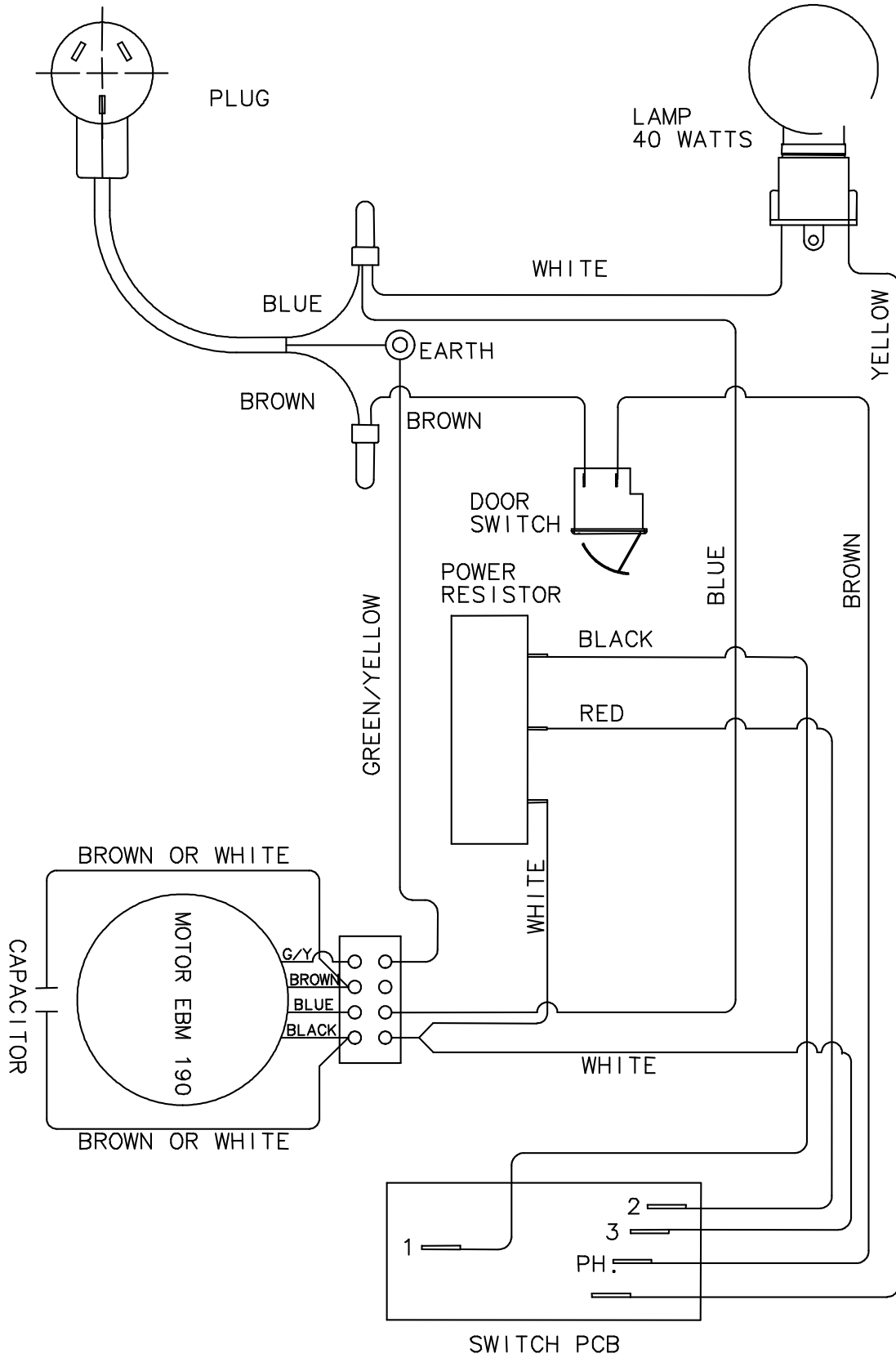
Exploded view



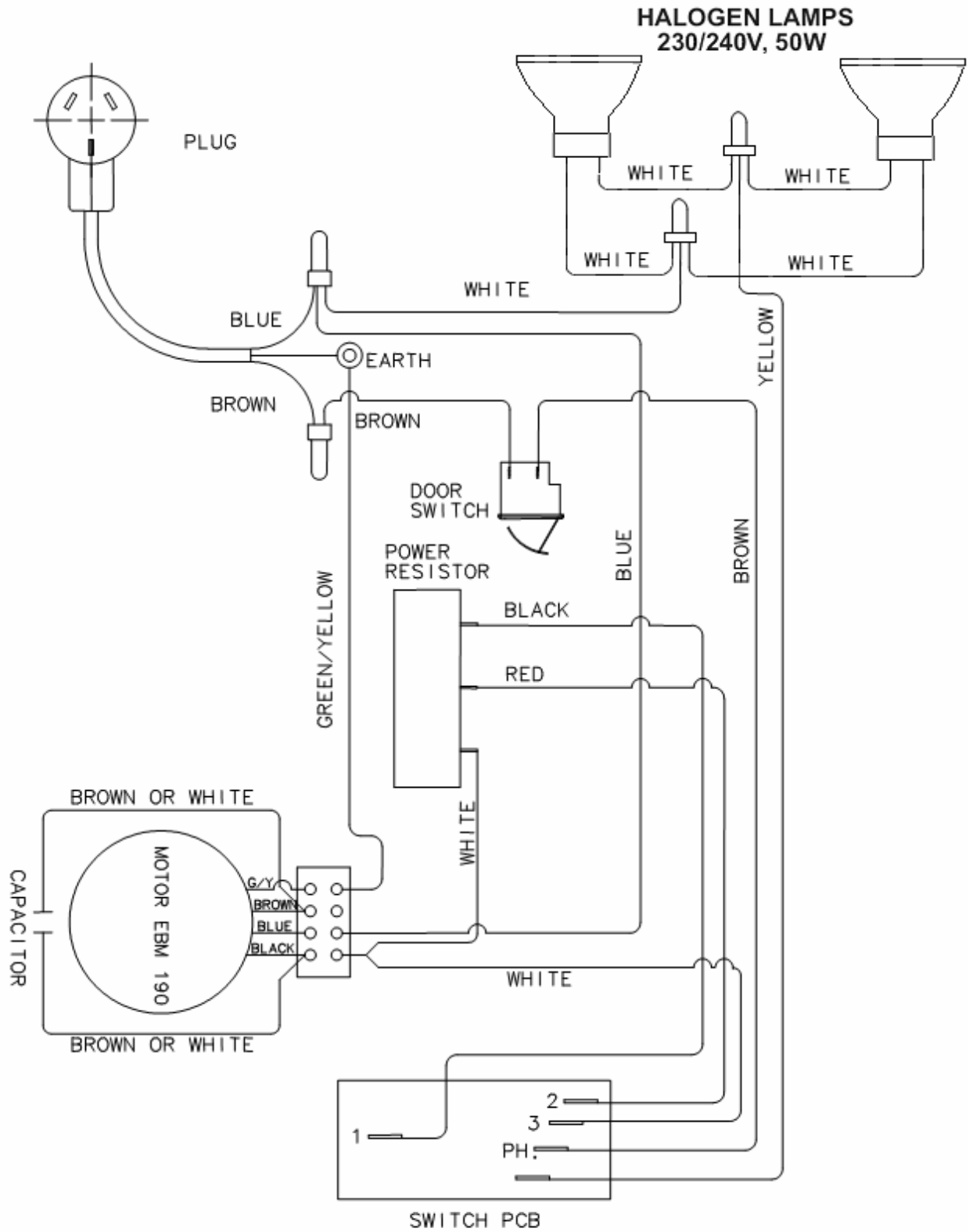
Item	Description	Part number	
		RT6WH	RT6SS
1	Halogen light bracket	*	
2	Halogen Lamp Holder <i>(If manufactured post 21/4/08)</i> Incandescent Lamp Holder <i>(If manufactured pre 21/4/08)</i>	111021 101104	
3	Halogen Lamp <i>(If manufactured post 21/4/08)</i> Incandescent Lamp <i>(If manufactured pre 21/4/08)</i>	111020 102722	
4	Side cover (switch)	See item 32	See item 32
5	Door switch	102686	
6	Plastic side (switch)	See item 32	See item 32
7	Plastic side (blank)	See item 32	See item 32
8	3 sp switch assy	103593	
9	Slider Switches <i>(If manufactured post 8/9/08)</i> Slider Switches <i>(If manufactured pre 8/9/08)</i>	102268WH	102268WH 102268BL
10	Motor housing	*	
11	102703 resistor PW 50 H1 480R	102690	
12	Rear cover	*	
14	Slider Bracket <i>(If manufactured post 8/9/08)</i> Slider Bracket <i>(If manufactured pre 8/9/08)</i>	103358WH	103358WH 103358BL
15	Sliding track 57010 R00-00	102245	
16	Tray <i>(If manufactured post 8/9/08)</i> Tray <i>(If manufactured pre 8/9/08)</i>	103595WH	103595WH 103595BL
17	End Cap <i>(If manufactured post 8/9/08)</i> End Cap <i>(If manufactured pre 8/9/08)</i>	103778WH	103778WH 103778BL
18	Front Handle	103774WH	103775SS
19	Slider bracket <i>(If manufactured post 8/9/08)</i> Slider bracket <i>(If manufactured pre 8/9/08)</i>	103358WH	103358WH 103358BL
20	Glass	103590	
21	Filter alu 508X172	103794	
	Filter charcoal 508X172	103794C	
22	Bell mouth	103123	
23	Motor/Fan R2E190	101680	
24	Terminal block 12 Way	101841	
25	Capacitor 2.0 microF	103950	
26	Motor mounting bracket	102438	
27	Side cover (blank)	See item 32	See item 32
28	Exhaust cover film	103420	
29	Power cord	103821	
30	Hollow dowel	See item 33	
31	Side fixing screw	See item 33	
32	Side plastic kit <i>(If manufactured post 8/9/08)</i> Side plastic kit <i>(If manufactured pre 8/9/08)</i>	111050	111050 111051
33	Side fixing screw and dowel kit	111053	
34	Top fixing screw kit (not shown)	111070	

Item	Description	Part number	
		RT9WH	RT9SS
1	Halogen light bracket	*	
2	Halogen Lamp Holder <i>(If manufactured post 21/4/08)</i> Incandescent Lamp Holder <i>(If manufactured pre 21/4/08)</i>	111021 101104	
3	Halogen Lamp <i>(If manufactured post 21/4/08)</i> Incandescent Lamp <i>(If manufactured pre 21/4/08)</i>	111020 102722	
4	Side cover (switch)	See item 32	See item 32
5	Door switch	102686	
6	Plastic side (switch)	See item 32	See item 32
7	Plastic side (blank)	See item 32	See item 32
8	3 sp switch assy	103593	
9	Slider Switches <i>(If manufactured post 8/9/08)</i> Slider Switches <i>(If manufactured pre 8/9/08)</i>	102268WH	102268WH 102268BL
10	Motor housing	*	
11	102703 resistor PW 50 H1 480R	102690	
12	Rear cover	*	
14	Slider bracket sym.	103358WH	103358BL
15	Sliding track 57010 R00-00	102245	
16	Tray <i>(If manufactured post 8/9/08)</i> Tray <i>(If manufactured pre 8/9/08)</i>	103596WH	103596WH 103596BL
17	End Cap <i>(If manufactured post 8/9/08)</i> End Cap <i>(If manufactured pre 8/9/08)</i>	103778WH	103778WH 103778BL
18	Front Handle	103776WH	103777SS
19	Slider bracket <i>(If manufactured post 8/9/08)</i> Slider bracket <i>(If manufactured pre 8/9/08)</i>	103358WH	103358WH 103358BL
20	Glass	103591	
21	Filter alu 508X172	103795	
	Filter charcoal 508X172	103794	
22	Bell mouth	103123	
23	Motor/Fan R2E190	101680	
24	Terminal block 12 Way	101841	
25	Capacitor 2.0 microF	103950	
26	Motor mounting bracket	102438	
27	Side cover (blank)	See item 32	See item 32
28	Exhaust cover film	103420	
29	Power cord	103821	
30	Hollow dowel	See item 33	
31	Side fixing screw	See item 33	
32	Side plastic kit <i>(If manufactured post 8/9/08)</i> Side plastic kit <i>(If manufactured pre 8/9/08)</i>	111050	111050 111051
33	Side fixing screw and dowel kit	111053	
34	Top fixing screw kit (not shown)	111070	

Wiring diagram - For models manufactured before the 21st April 2008



Wiring diagram - For models manufactured after the 21st April 2008



New Zealand

Robinhood Ltd
Telephone: 0800 760 667
Facsimile: 0800 276 246
Email: enquiries@robinhood.co.nz
www.robinhood.co.nz

Australia

Robinhood PTY Ltd
Telephone: 1800 648 556
Facsimile: 1800 628 577
Email: enquiries@robinhood.com.au
www.robinhood.com.au