

Description

ROBINHOOD POWERPACK DC MOTOR 75CM GESTURE CONTROL
 RPG3CL75BK (Black Glass); RPG3CL75WH (White Glass)



RPG3CL75BK



RPG3CL75WH

Key Features

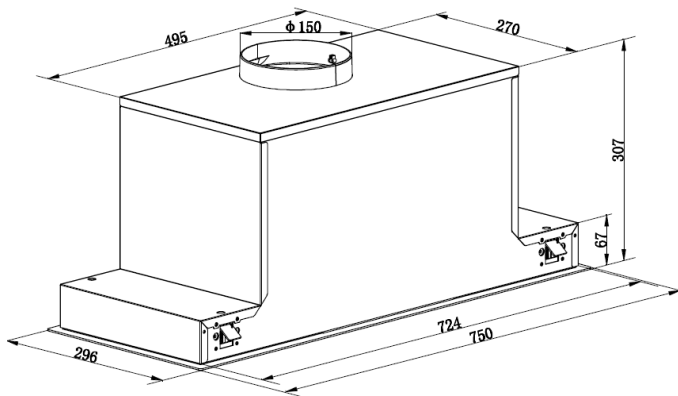
Motor Type
DC Motor

Max Motor Performance
850 m³/hr

Power Levels
3

Control Type
Touch & Gesture Control

Light
2 x 1.5W LED Strips



Dated 20/10/2022

Specifications

Voltage	220~240v
Frequency	50~60Hz
Motor Type/ Power	DC motor/ 143W
Energy Efficiency Index (EEI)	A++
Max Motor Performance	850 m ³ /hr
Power Levels	3
Control Type	Touch & gesture control
Light/ Colour Temperature	2 x 1.5W LED/ 6500K
Filter	1 x 3 layers aluminium filter
Optional Charcoal Filter	Yes. RHCF115
Ducting Outlet	Ø150mm
Power Cord Length	1.5m
Product Dimensions (WxDxH)	750 x 296 x 307mm
Carton Dimensions (WxDxH)	805 x 375 x 355mm
Cut-out Size (WxD)	730 x 275mm
Gross/ Net Weight	13.5/12Kg

Air Flow & Noise Level*		
Power Level	Air Flow (m ³ /hr) (IEC 61591)	Noise Level (dB) (IEC 60704-2-13)
1	220	38
2	600	54
3	825	63

*Air Flow & Noise Level testing is conducted in a controlled lab environment as per the IEC standards.