

Description : Robinhood Power Pack with DC motor

Model Number : RPG3CL52BK (52cm, Black), RPG3CL52WH (52cm, White)
RPG3CL75BK (75cm, Black), RPG3CL75WH (75cm, White)
RPG3CL90BK (90cm, Black), RPG3CL90WH (90cm, White)



RPG3CL52BK



RPG3CL52WH



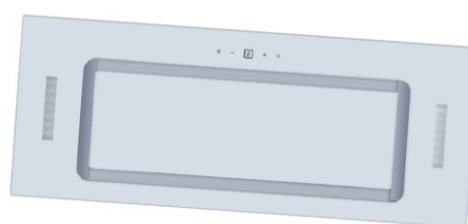
RPG3CL75BK



RPG3CL75WH



RPG3CL90BK



RPG3CL90WH

*Actual unit may vary from above model picture

Contents

Congratulations!

Thank you for choosing one of our appliances. Before you use the appliance, we strongly recommend that you read through the whole user manual which provides important safety instructions and description of the product and the proper use of its functions.

To avoid the ever-present risks involved with using an electrical appliance it is vital that the oven is installed correctly and that you read the safety instructions carefully to avoid misuse and hazards. It is important that you retain these instructions and your proof of purchase along with any other important documents about this product for future reference.

Due to continual product development, Shriro reserves the right to alter specifications or appearances without notice.

Important Safety Instructions	1
Appliance Details	2
Installation Instructions	3
Operating Instructions	5
Troubleshooting	7
Cleaning and Maintenance	8
Warranty Certificate (New Zealand)	10

DISPOSAL INFORMATION

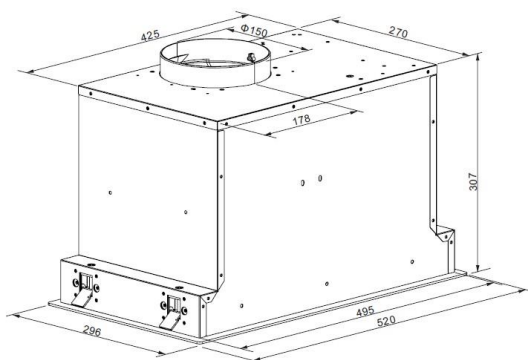
- Most of the packing materials are recyclable. Please dispose of these materials through your local recycling depot or by placing them in appropriate collection containers.
- If you wish to discard this product, please contact your local authorities and ask for the correct method of disposal.

Important Safety Instructions

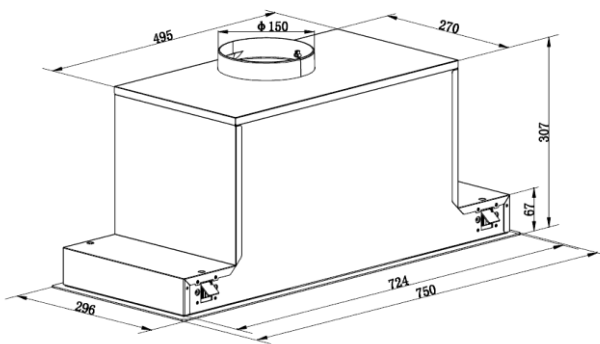
IMPORTANT: Read the assembly instruction section and safety precautions of this booklet carefully before removing the contents of this carton.

1. In certain circumstances electrical appliances may be a safety hazard.
2. This appliance is not intended for use by persons (including children) with reduced physical, sensory or mental capabilities, or lack of experience or knowledge, unless they have been given supervision or instruction concerning the use of the appliance by a person responsible for their safety. Children should be supervised to ensure that they do not play with the appliance.
3. Do not check the status of the filters whilst the cooker hood is operating.
4. Do not touch the light bulbs after use.
5. Do not disconnect the appliance with wet hands.
6. Do not disconnect the power supply by pulling on the cable.
7. Do not flambé underneath the range hood.
8. Avoid free flame, as it may cause damage to the filters and can be a fire hazard.
9. Unplug the appliance before carrying out maintenance, cleaning or replacing lamps.
10. If the power cord is damaged, it must be replaced by the manufacturer, an authorized service center or similarly qualified persons to avoid a hazard.
11. For indoor use only.
12. It is recommended to operate the range hood prior to cooking.
13. It is recommended to leave the range hood in operation for 15 minutes after cooking is terminated in order to completely eliminate cooking vapors and odors.
14. Turn off the range hood when not in use.
15. Do not use the range hood if it is damaged, especially the supply cord and the case.
16. Do not immerse the range hood in liquid.
17. The exhaust air must not be discharged into a flue which is used for exhausting fumes from an appliance burning gas or other fuels (not applicable to appliances that only discharge the air back into the room).
18. Regulations concerning the discharge of air must be fulfilled.
19. There shall be adequate ventilation of the room when the range hood is used at the same time as appliances burning gas or other fuels (not applicable to appliances that only discharge the air back into the room).
20. Clean the surface of the cooker hood regularly using a cloth moistened with denatured alcohol or a non-abrasive liquid detergent.
21. There is a fire risk if cleaning is not carried out in accordance with the instructions.
22. The range hood must be mounted at a minimum distance of 60cm above the cooking surface.
23. **CAUTION:** Accessible parts may become hot when used with cooking appliances.
24. **Warning:** Failure to install the screws or fixing device in accordance with these instructions may result in electrical hazards.
25. The power plug must be accessible after installation.

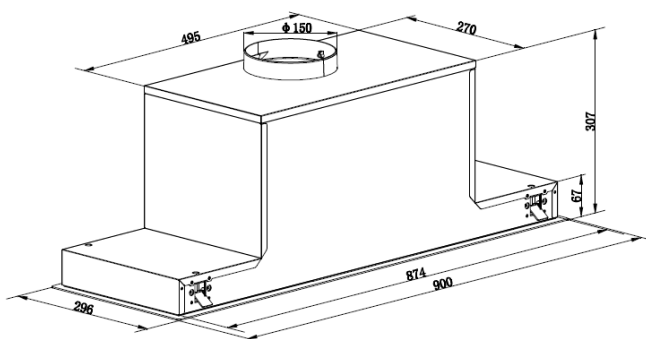
Appliance Details



RP3CL52BK and RP3CL52WH



RP3CL75BK and RP3CL75WH



RP3CL90BK and RP3CL90WH

Voltage & Frequency:	220-240V 50Hz
Lamp Max:	2 x 1.5W LED
Rated Input Power:	148W

General Information

Before installing and operating the rangehood, carefully read the following important information regarding installation safety and maintenance. Keep this information booklet accessible for further consultations.

The appliance has been designed to exhaust cooking fumes externally. Before installation, please ensure that the following have been supplied and that the tools listed below are readily available.

Contents of packaging:

- 1 x Cooker hood
- 1 pair of V-flap (150)

Typical equipment required:

- Electric drill
- Screwdriver
- Tape measure
- Spirit level
- Duct tape (if ducting)
- Jig saw (if ducting)
- Ladder (if ducting)

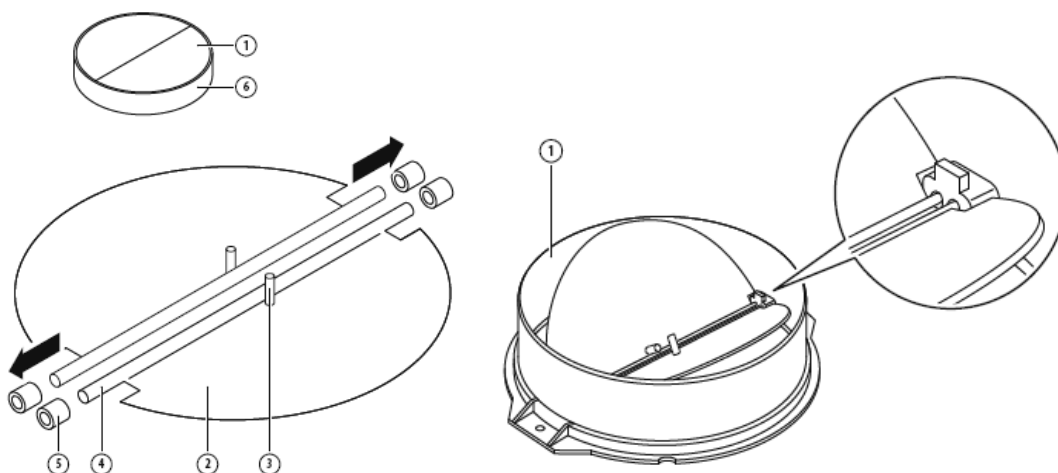
Installation Instructions

MOUNTING OF THE V-FLAP

If the cooker hood does not have an assembled V-flap 1, you should mount the half-parts to its body. The images only show an example of how to mount the V-flap, because the outlet may vary according to different models and configurations.

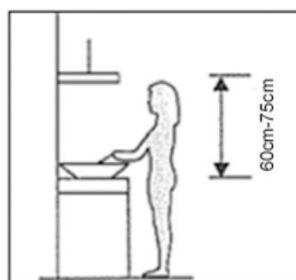
To mount the V-flap 1 you should:

- Mount two half-parts 2 into the body 6
- The pin 3 should be top oriented
- The axis 4 should be inserted into the holes 5 on the body
- Repeat all the operations for the 2nd half-part



INSTALLATION

- The cooker hood should be placed at a distance of 60-75cm from the cooking surface for the best effect.

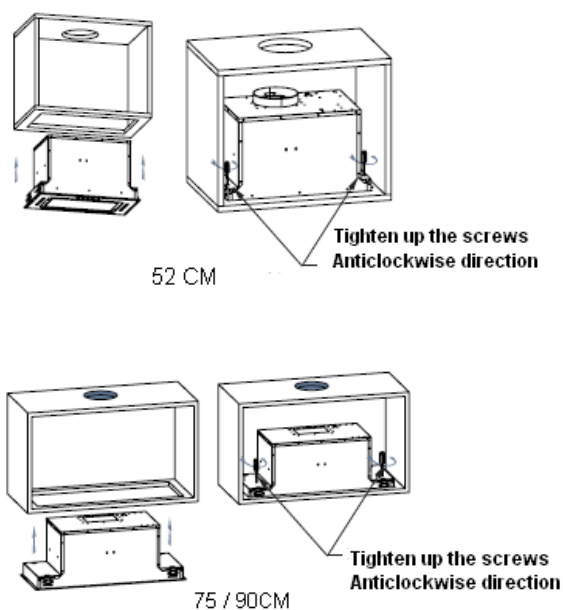


Installation Instructions

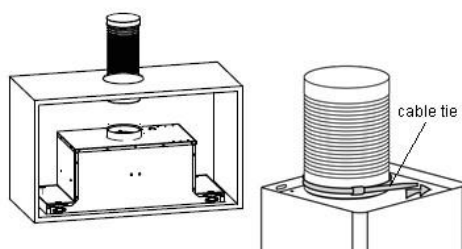
- Create a required cut-out in the cabinet for your powerpack rangehood: 500x275mm for 52cm model, 730x275 for 75cm model 880x275mm for 90cm model. Refer to below picture. Make sure the cut-out is at least 35mm from the cabinet edge.



- Put the hood into the cabinet, tighten up the screws by screwdriver, and make sure the hood was fixed. See below picture.



- Fix the expansion pipe on the outlet with cable tie. Note: the expansion pipe is not included in the product. See below picture.



WARNING:



- For safety reason, please use only the same size of fixing or mounting screws which are recommended in this instruction manual.
- Failure to install the screws or fixing device in accordance with these instructions may result in electrical hazards.

Operating Instructions

Controls



There are five touch buttons:  (Timer),  (Decrease),  (Power),  (Increase),  (Lamp).

1. **Power on:** After you have connected the cooker hood to the mains supply, all the outputs will close, all indicator lights of the buttons will lit on, and the cooker hood will enter to standby state.
2. **Power Button:** Press power button once, indicator lights of function keys(increase, decrease, timer and lamp) will be lit on, LED display will show "0" and the hood will enter operation mode. Press power button again, all indicator lights of function keys will be off, and all function operation for the hood will close. The hood enters into standby mode. The above steps can be operated repeatedly.

After enter operation mode, if without any function operation within 2 minutes, indicator lights of the function keys(increase, decrease, timer and lamp) and LED display will extinguish.

3. **Lamp Button:** Press lamp button once, the backlight of button and the hood light will be on. Press again, the light will be off. The indicator light of the button will change to backlight mode and run circularly.
4. **Increase Button:** The hood has 3 speed settings (Low, medium and high)

Press Increase button once, the indicator light of button will be on, the cooker hood starts to work at low speed. The LED display will show "1".

Press Increase button again when it is working at the low speed, the cooker hood works at mid speed and the LED display will show "2".

Press Increase button again when it is working at the mid speed, the cooker hood works at high speed and the LED display will show "3".

When the cooker hood works at high speed, press increase button again, the hood will keep working at high speed.

5. **Decrease button:** By pressing this button, the cooker hood will decrease one speed, and the display will show the current working speed, the indicator light of the decrease button will on . If this button is pressed when hood is working at the low speed, the LED display will show "0", the cooker hood will turn off and the indicator light of the decrease button will change to backlight status.
6. **Timer button:** The timer button works when the hood is working only (Pressing the key will be invalid when the hood is under standby mode or open the lamp separately). The timer setting is 5mins and could be repeat setting. When the time is up, the cooker hood will turn off and the light will be off.

When the timer is set, if adjusting the speeds, the timer function will be cancelled.

Operating Instructions

- Gesture sensor mode:** Wave your hand from left to right once within 8 cm from the front of the sensor, the cooker hood will start to work at low speed and the LED display will show "1". The light will be lit on. The indicator lights of the Power button, increase button, decrease button and Lamp button will be on. Wave your hand from left to right again, the cooker hood will start working at medium speed and the LED display will show "2". Wave your hand in the same direction again and the cooker hood will start working at high speed and the LED display will show "3". Wave your hand in the same way again when the hood works at the highest speed, the hood will work at the same speed.

When wave your hand from right to left once, the cooker hood will shift to a lower speed. The indicator light of the Power button, increase button, decrease button and Lamp will be on, and the LED display will show current speed level. If continuously reducing to no speed, the indicator lights will be off, and all the function operation of the hood will not be available. The hood will then enter standby mode.

If without any operation for function keys in 10 minutes, the gesture sensor will enter sleeping mode. It will need to use your hand to operate any key to activate the gesture sensor again. The gesture function can be operated only when it has been activated.

Troubleshooting

Fault	Possible Cause	Solution
Light on, but motor does not work	Fan switch turned off	Select a fan switch position.
	Fan switch failed	Contact service center.
	Motor failed	Contact service center.
Light does not work; motor does not work	House fuses blown	Reset/Replace fuses.
	Mains power cable is loose or disconnected	Refit mains power cable to power outlet. Switch power outlet on.
Oil leakage	One way valve and the outlet are not tightly sealed	Take down the one-way valve and seal with sealant.
	Leakage from the connection of chimney and cover	Take chimney down and seal.
Lights not working	Broken or faulty bulbs	Replace bulbs as per this instruction.
Insufficient suction	The distance between the cooker hood and the gas top is too far	Refit the cooker hood to the correct distance.
The Cooker hood inclines	The fixing screw is not tight enough	Tighten the hanging screw and make it horizontal.

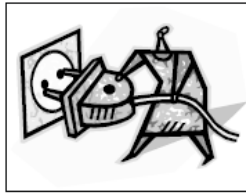
NOTE:

Any electrical repairs to this appliance must conform to your local, state and federal laws. Please contact the service center if in any doubt before undertaking any of the above. Always disconnect the unit from the power source when opening the unit.

Cleaning and Maintenance

Caution:

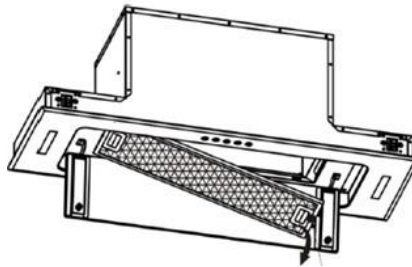
- Before maintenance or cleaning is carried out, the cooker hood should be disconnected from the mains power supply. Ensure that the cooker hood is switched off at the wall socket and the plug removed.



- External surfaces are susceptible to scratches and abrasions, so follow the cleaning instructions to ensure the best possible result is achieved without damage.
- Cleaning and maintenance should be carried out with the appliance cold especially when cleaning. Avoid leaving alkaline or acid substances (lemon juice, vinegar etc.) on the surfaces.
- The stainless steel must be cleaned regularly (e.g., Weekly) to ensure a long-life expectancy. Dry with a clean, soft cloth. A specialized stainless steel cleaning fluid may be used.
- Ensure that wiping is done along with the grain of the stainless steel to prevent any unsightly crisscross scratching patterns from appearing.
- The inlay control panel can be cleaned using warm soapy water. Ensure the cloth is clean and well wrung before cleaning. Use a dry soft cloth to remove any excess moisture left after cleaning.
- Using neutral detergents and avoid using harsh cleaning chemicals, strong household detergents or products containing abrasives, as this will affect the appearance of the appliance and potentially remove any printing of artwork on the control panel and will void manufactures warrantee.

GREASE MESH FILTERS

The mesh filters can be cleaned by hand. Soak them for about 3 minutes in water with a mild detergent and then brush it gently with a soft brush. Do not apply too much pressure to avoid any damage to it. (Leave to dry naturally out of direct sun light) Filters should be washed separately to crockery and kitchen utensils. It is advisable not to use rinse aid.



INSTALLING GREASE MESH FILTERS

To install filters for the following four steps:

- Angle the filter into the slots at the back of the hood.
- Push the button on the handle of the filter.
- Release the handle once the filter fits into a resting position.
- Repeat to install all filters.

Cleaning and Maintenance

BULB REPLACEMENT

Important:

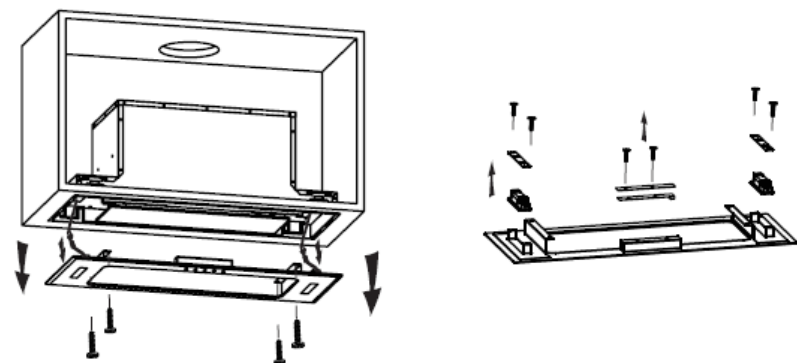
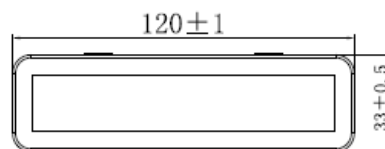
- The bulb must be replaced by the manufacturer, its service agent, or similarly qualified persons.
- Always switch off the electricity supply before carrying out any operations on the appliance. When handling bulb, make sure it has completely cooled down before any direct contact with hands.
- When handling bulbs hold with a cloth or gloves to ensure perspiration does not meet the bulb as this can reduce the life of the bulb.

Note:

- Before changing the lights, make sure that the appliance is turned off and unplugged.
- Protect against danger when changing lights, such as wearing gloves.

Changing the lights:

- Switch off the appliance and unplug it.
 - Unscrew the 4 screws on the outer glass frame panel by screwdriver.
 - Pull out the light wire and switch wire, take down the outer glass frame panel.
 - Unscrew the screws on the light bracket and replace the lights.
 - Apply the reverse procedure to install the light back.
1. ILCOS D code for this lamp is: DSS-1.5/65-S-120/33
 2. LED modules –LED light strip
 3. Max wattage: 2×1.5W
 4. Voltage range: DC 12V
- Dimensions:



Warranty Certificate (New Zealand)

Terms and Conditions

The following conditions apply in respect of the warranty given in this certificate:

1. Monaco Corporation Limited ("Monaco") warrants the following Robinhood products against manufacturing defects and faulty materials, under normal use and subject to the exclusions in this certificate, for a period of:
Rangehood, Ovens, Cooktops, Dishwashers - 24 months from date of original purchase for domestic use.
Uniduct – 12 months from date of original purchase for domestic use.
Ironing centre – 12 months from date of original purchase for domestic use.
Laundry Tub - 5 years on stainless bowl, 24 months on Tap, Cabinet and other components from the date of original purchase for domestic use.

"Original purchase", when used in this certificate, means purchase by the customer directly from Monaco or one of its approved suppliers.

2. This warranty is limited to the repair or replacement, at our option, within the warranty period of any component part which we at our discretion determine to contain faulty materials or a manufacturing defect in breach of this warranty. This warranty is subject to terms and conditions set out in this certificate.
3. The warranty only applies within New Zealand.
4. The customer must produce the original invoice or other purchase documentation as proof of the original purchase date.

Warranty exclusions

1. The warranty does not apply where, in Monaco's opinion:
The defect is caused by misuse, wear and tear, dirt, fire or accidental damage.
The product has been repaired or serviced by an unauthorised person.
The product was not installed in accordance with our instructions.
The product was purchased overseas or was not designed for use in New Zealand.
The product was not used, cleaned, or cared for in accordance with our instructions.
The product was used outdoors.
2. In addition, this warranty does not extend to damage or defects which in our opinion, directly or indirectly arise from or are due to:
Exposing the product to acidic or corrosive materials or chemicals such as dyes, solvents, denture cleaner or acetone.
Using inappropriate household cleaning products such as abrasive cream or powder cleansers, furniture polish, bleach, mentholated spirits, drain cleaners, sugar soap, metal pads and strongly alkaline or acidic cleaners.
Heat damage, including from washing the product at high temperatures.
Impact or mishandling the product, including the impact caused by objects scraped along, thrown, or dropped on the product surface or excessive weight being placed on the product.
Structural or support changes in or affecting the building or the application where the product has been installed.
Failure to clean or maintain the product as recommended; or
any other causes specified in the product information as being excluded from this warranty.
3. Variations with the colour or gloss within the product or any ageing or fading of colour, shine or gloss level over time are not covered by this warranty. The warranty does not cover visual imperfections or blemishes in the surface and edges of the product that were not brought to your supplier's attention at the time you inspected the product.
4. Costs incurred on installation or removal of a product, or any reinstallation of a product, or any associated costs, are not covered by this warranty.
5. Monaco will not be liable for consequential or indirect loss or damage whatsoever and however arising out of or in connection with the supply, performance, or removal of the product, including (but not limited to) loss of profit, loss of revenue, loss of contract, loss of goodwill or increased cost of workings, even if due to the negligence of Monaco or any of its approved suppliers, employees or agents.
6. Charcoal filters and light bulbs are not covered by this warranty.
7. This warranty and the statements contained in this certificate or other documents given to you do not exclude, restrict or modify the application of any term implied into this warranty by statute, provided that (to the extent any statutory provision permits Monaco to limit its liability for a breach of an implied condition or warranty) Monaco's liability for such breach is limited to the payment of the cost of replacing the product, repairing the product or acquiring an equivalent product.
8. Subject to clause 5, our obligations under this warranty are limited to those set out in this certificate, and this warranty is expressly instead of all other warranties, express or implied, including any implied warranty of merchantability or fitness for a particular purpose and notwithstanding any course of dealing between the parties or custom and usage in trade to the contrary.

Terms and conditions are subject to change.