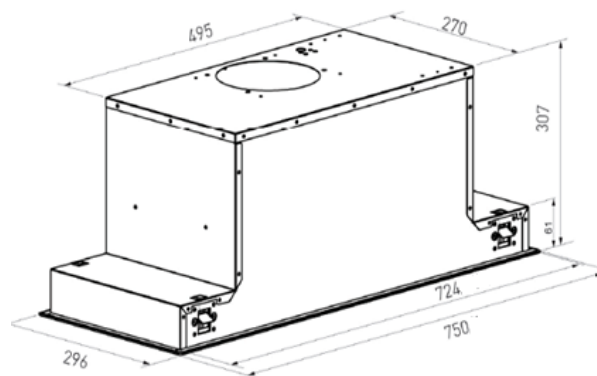
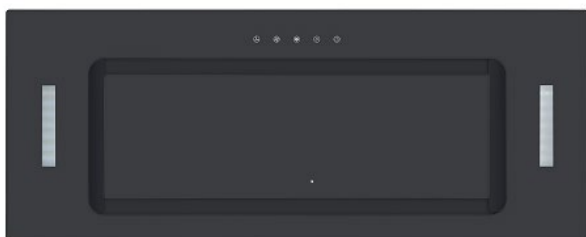


Description: **ROBINHOOD UNDERMOUNT RANGEHOOD 750MM BLACK/WHITE GLASS**
 Model Numbers: **RPD3CL7BK, RPD3CL7WH**

Typical design



Features and benefits

- **High performance extraction motor**
 Max motor performance of 1,000 m³/hr extraction rapidly removes steam, smoke and cooking smells from your kitchen. Three-speed switch lets you select the fan strength you ever need.
- **LED lights**
 2 x strip LED lights efficiently illuminates the whole cooking area.
- **Multi-layered micromesh filters**
 Multi-layered micromesh filters effectively trap grease. They're simple to remove and are easily maintained with a regular clean in the dishwasher.
- **Completely hidden from view**
 This strong performer is designed to stay entirely out of sight. Modern styling in black or white glass makes for easy cleaning.
- **Touch control**
 Soft touch electronic control enables easy operation.
- **Thermal overload switch**
 Thermal overload function that senses extreme heat and disconnects power to the motor. If you have a cooking disaster, and something catches fire, the rangehood automatically switches off to prevent flames and sparks being sucked into the ducting or ceiling.
- **Delay timer**
 While the rangehood is in use, by pressing the delay button once, it will run for 5 minutes and then turn off automatically.

Specifications

Technical data:

Motor	3 speed centrifugal motor
Max motor performance	1000 m ³ /hr
Static pressure	384 Pa
Gauge of steel	0.6mm
Type of steel (Stainless steel panel)	430
Type of glass	Black or white tempered glass
Voltage /Frequency	220-240 Volt. 50 Hertz
Wattage	265 Watt max.
Tested to	EMC AS/NZS – CISPR 14.1:2010
Electrical approval	AS/NZS 60335.2.31:2013
Performance tested to	IEC61591 (replaces AS2682-1984)
Filter type	5 layered micro mesh aluminium filter
Ducting outlet	150mm diameter round outlet
Control	Touch control

Gross weight: 15 kg

Net weight: 13 kg

Carton volume: 0.093m³

Carton dimensions: 785W*350D *340H

Rangehood dimensions: 750W*296D*307H

Cut-out Dimensions: 275D * 730W

Performance data:

○ RPD3CL7BK & RPD3CL7WH

Fan (Speed 1)	440 m ³ /hr
Fan (Speed 2)	630 m ³ /hr
Fan (Speed 3)	750 m ³ /hr
Noise (Speed 1)	54 dB
Noise (Speed 2)	58 dB
Noise (Speed 3)	60 dB

New Zealand

Monaco Corporation Ltd
Telephone: (09) 415 6000
Facsimile: (09) 415 7400
Email: enquiries@robinhood.co.nz
www.robinhood.co.nz

Australia

Shriro Australia Pty Ltd
ABN 28 002 386 129
Telephone: 1800 648 556
Facsimile: 1800 628 577
Email: enquiries@robinhood.com.au
www.robinhood.com.au