

Description

ROBINHOOD POWERPACK 70CM STAINLESS STEEL/ MATTE BLACK
RPC3CL70SS/MB



Key Features

Motor Type & Max Motor Performance

DC Motor & 700m³/hr

Power Level

3

Light

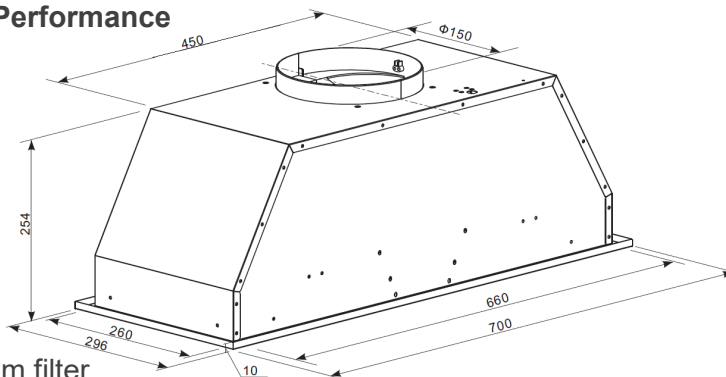
2 x 1.5W LED

Filter

1 x S/S decorative Aluminum filter

Additional Face Plate

1 x Matte Black face plate included



Dated 25/08/2022

Specifications

| | |
|-------------------------------------|--|
| Voltage | 220~240v |
| Frequency | 50~60Hz |
| Motor Power | 80W |
| Max Motor Performance | 700 m ³ /hr |
| Light | 2 x 1.5W LED |
| Control Type | Backlit buttons |
| Power Levels | 3 |
| Filter | 1 x S/S decorative Aluminum filter |
| Installation Type | Ducted (recommended) or recirculated with optional charcoal filter RHCF115 |
| Ducting Outlet Diameter | Ø150mm |
| Chimney | No chimney |
| Product Dimensions (WxDxH) | 700x296x254mm |
| Packaging Dimensions (WxDxH) | 745x360x365mm |
| Cut Out Size (WxD) | 660x260mm |
| Gross/Net Weight | 8.2/6.8Kg |

| Power Level | Air Flow & Noise Level* | |
|-------------|--|--------------------------------------|
| | Air Flow (m ³ /hr) (IEC 61591) | Noise Level (dB) (IEC 60704-2-13) |
| 1 | 205 | 31 |
| 2 | 414 | 46 |
| 3 | 615 | 53 |

*Air Flow & Noise Level testing is conducted in a controlled lab environment as per the IEC standards.