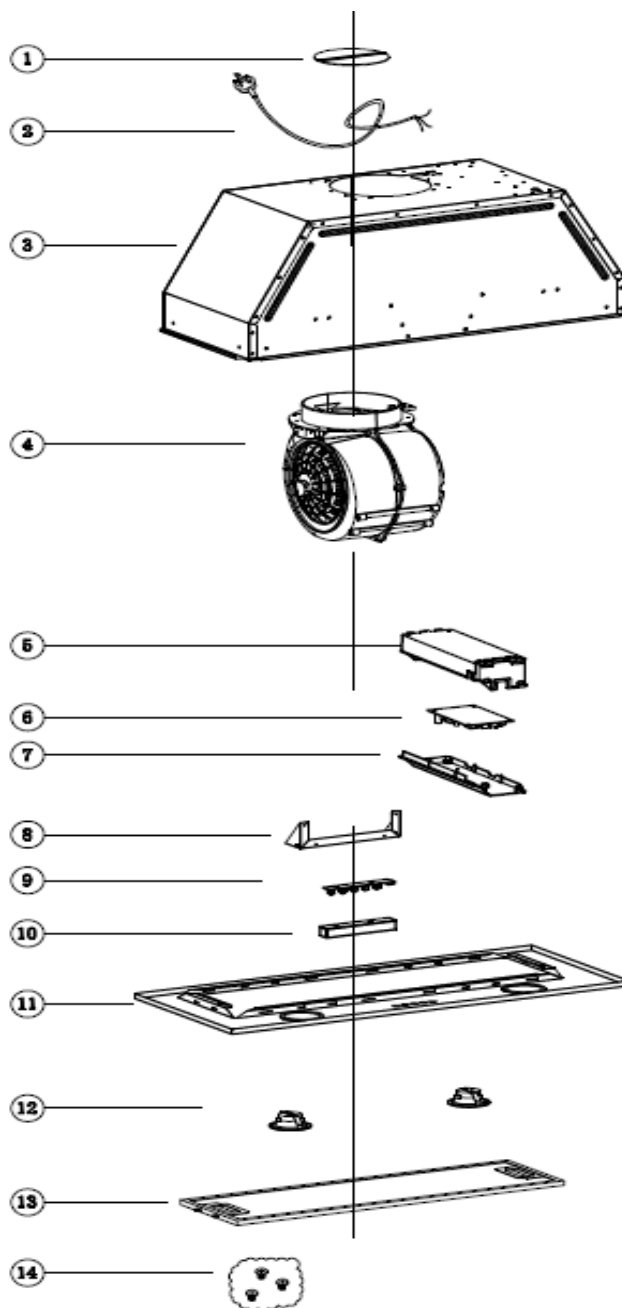


RPC3CL70SS/MB



SEQ	PART NO.	QTY (in Product)	DESCRIPTION
1	12001010300207	2	V-FLAP
2	1400400429	1	POWER CORD
4	ATMAC89	1	MOTOR
5	12001010200229	1	JUNCTION BOX
6	1400500736	1	PCB BOARD
7	12001010200228	1	JUNCTION BOX COVER
8	1120400068	1	SWITCH BRACKET
9	1400500720	1	SWITCH
10	120010300121	1	SWITCH BOX
11	1120200935	1	430#SS PANEL
	1170300795	1	BLACK PAINTED PANEL
12	1400600305	2	LAMP
13	1300100120	1	ALUMINIUM FILTER
14		1	SCREW BAG