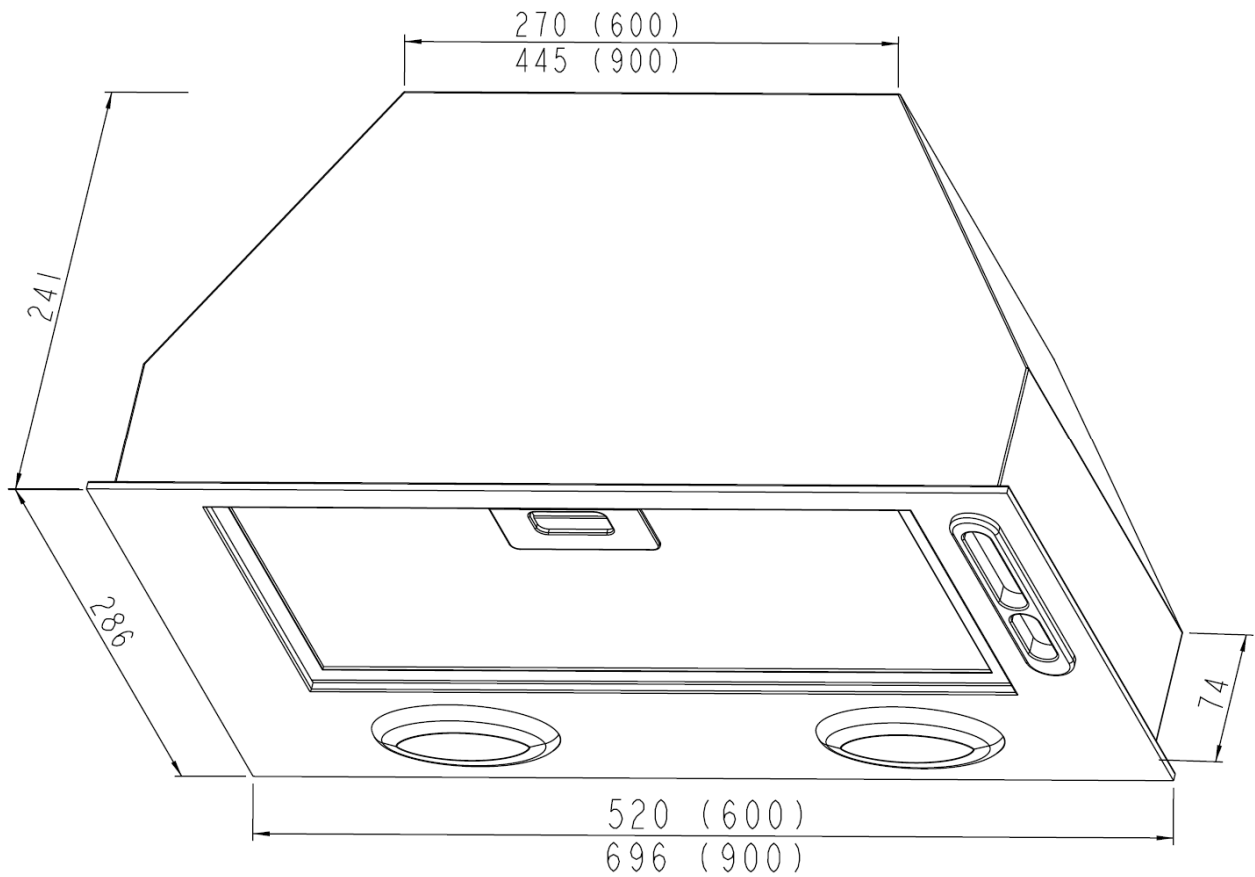
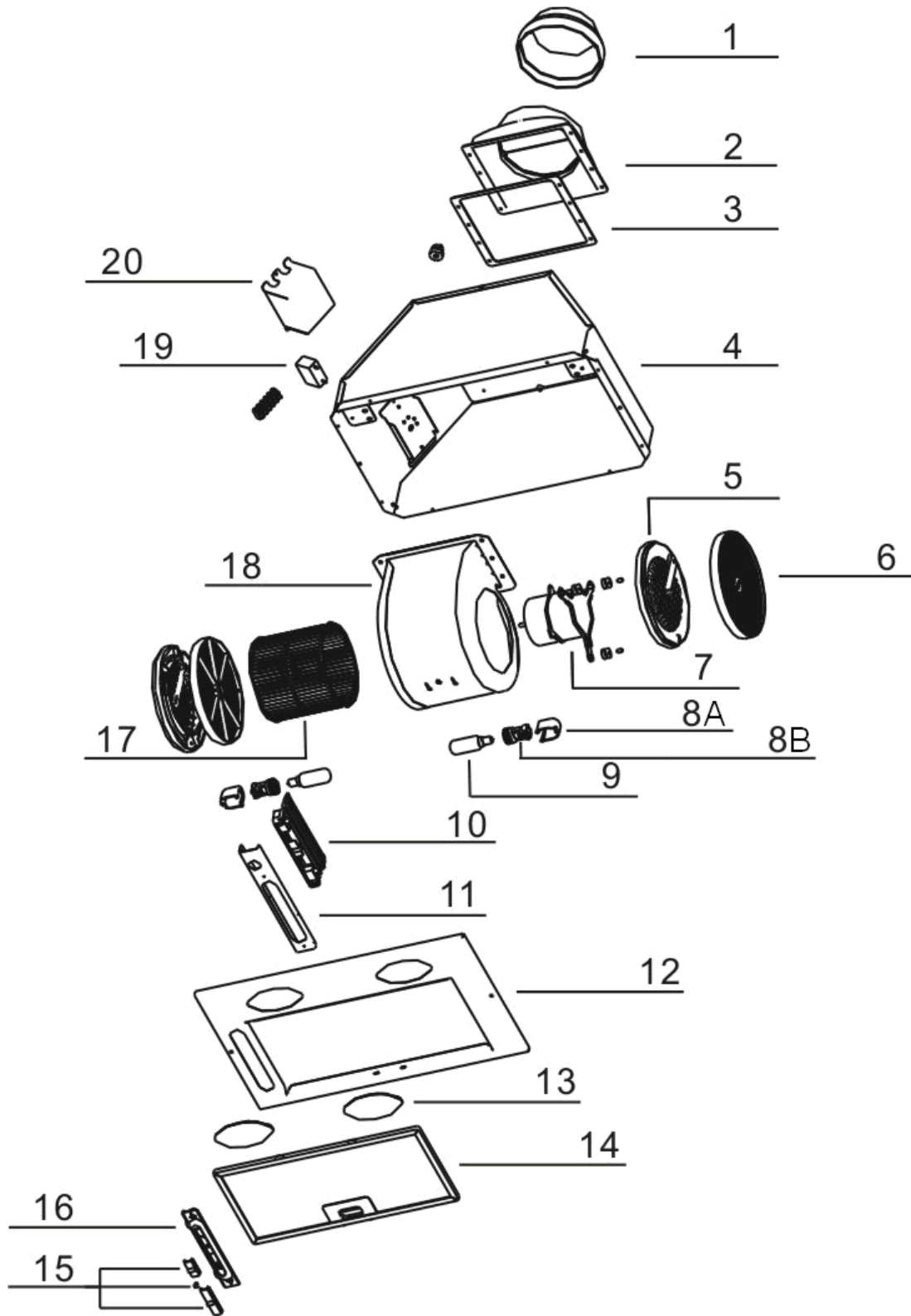


Description: **ROBINHOOD POWER PACK**  
Model Number: **RPA3CI6SS/WH, RPA3CI9SS/WH**



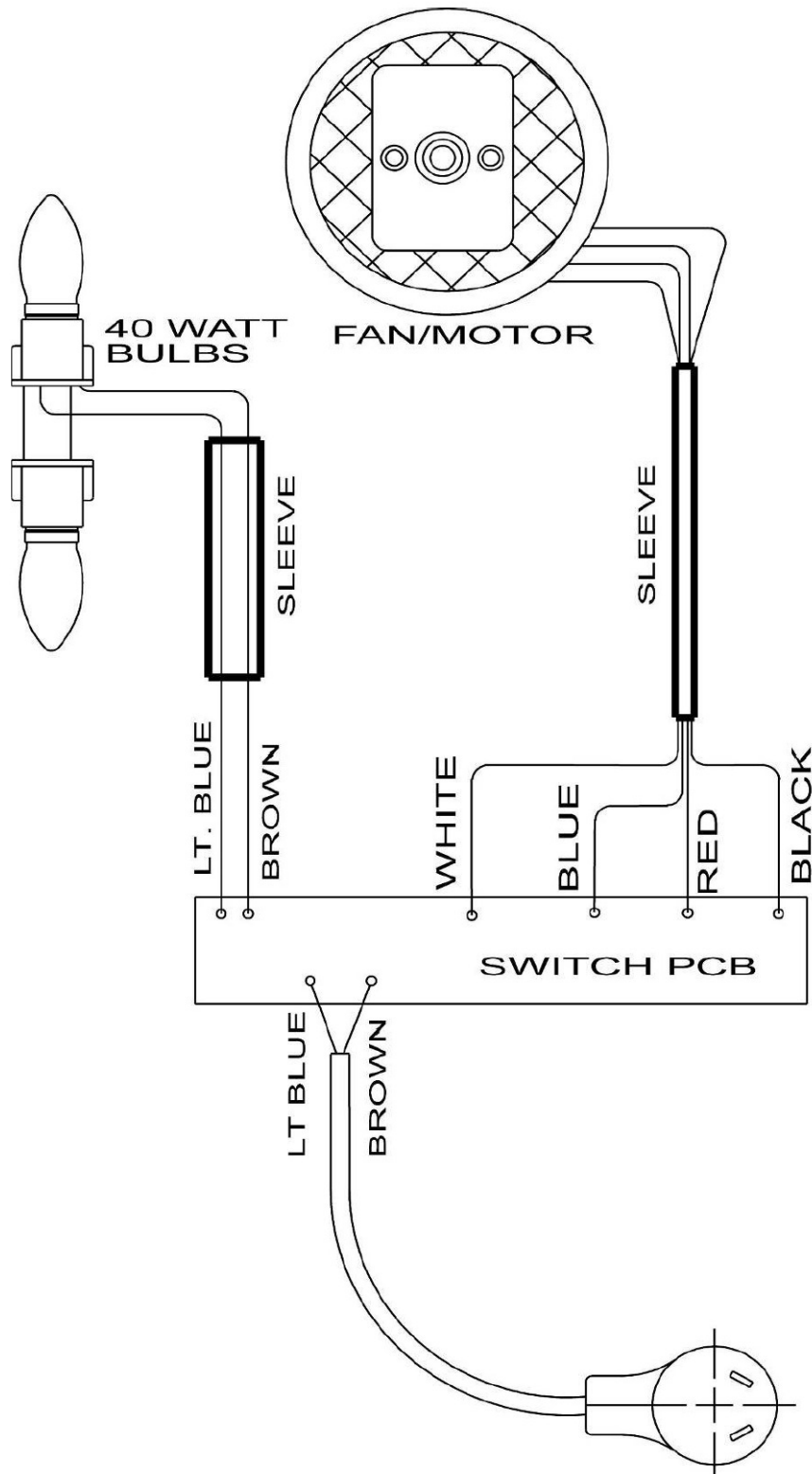
Model pictured: **RPA3CI6SS/WH**

Exploded view



Item	Description	Part number
<b>1</b>	Ducting adapter reducer	115230
<b>2</b>	Ducting adapter	115231
<b>3</b>	Gasket	115232
<b>4</b>	Body	*
<b>5,6,7,17,18</b>	Motor assembly	115233
<b>8A</b>	Lamp socket cover	115246
<b>8B</b>	Lamp socket	115234
<b>9</b>	Incandescent candle bulb 40 watts (NZ or AU)	110023
	Incandescent oblong bulb 40 watts ( <b>NZ only</b> )	115235
<b>10,11,15,16</b>	Switch assembly	115236
<b>12</b>	Face plate (600 model, white)	115237
	Face plate (600 model, stainless steel)	115238
	Face plate (900 model, white)	115239
	Face plate (900 model, stainless steel)	115240
<b>13</b>	Lamp cover	115241
<b>14</b>	Single standard filter (600 model)	115242
	Single standard filter (900 model)	115243
	Single charcoal filter (600 model)	2538
	Single charcoal filter (900 model)	2539
<b>19</b>	Motor capacitor	115244
<b>20</b>	Electric box	115245
<b>N/S</b>	Installation kit including face plate screws	115247

# Wiring diagram



ECN: 09 016

## New Zealand

Robinhood Ltd  
Telephone: 0800 760 667  
Facsimile: 0800 276 246  
Email: [enquiries@robinhood.co.nz](mailto:enquiries@robinhood.co.nz)  
[www.robinhood.co.nz](http://www.robinhood.co.nz)

## Australia

Robinhood PTY Ltd  
Telephone: 1800 648 556  
Facsimile: 1800 628 577  
Email: [enquiries@robinhood.com.au](mailto:enquiries@robinhood.com.au)  
[www.robinhood.com.au](http://www.robinhood.com.au)

 Robinhood