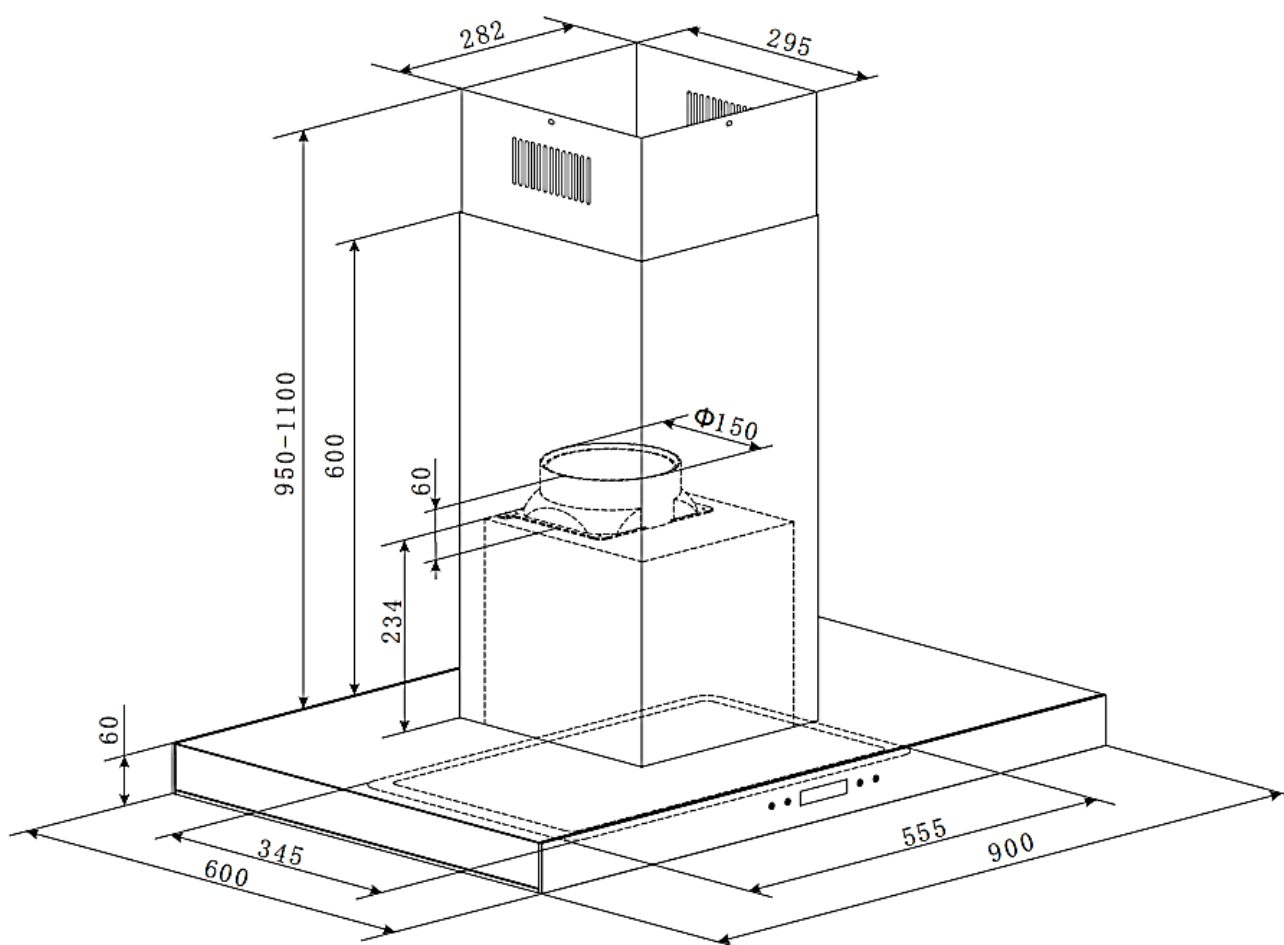


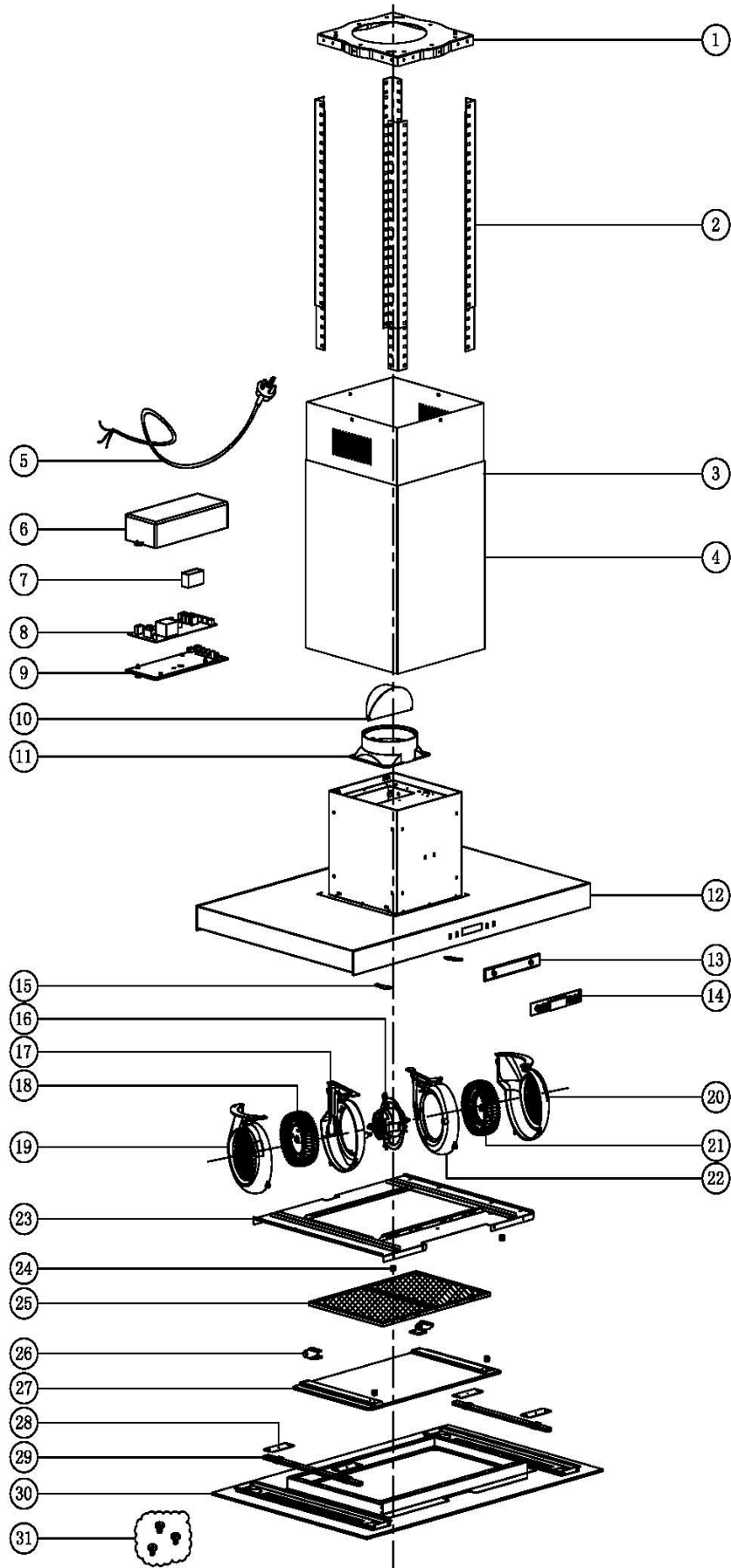
Description: **ROBINHOOD ISLAND RANGEHOOD 90CM WITH BLACK GLASS**

Model Number: **RIJ3CL9BK**



Model pictured: **RIJ3CL9BK**

# Exploded view



## Parts List

Item	Description	Part number	Qty on product
1	Hanging board	1150400063	1 pc
2	Angle iron	1140400052	8 pcs
3	Inner chimney	1130202440	1 pc
4	Outer chimney	1130202443	1 pc
5	Power cord	1400400050	1 pc
6 & 9	PCB box (includes cover and bottom)	12001010200064	1 set
7	Capacitor	1400100146	1 pc
8	PCB board	1400500174	1 pc
10 & 11	Outlet	ATO150	1 set
12	Casing assembly	1139803404	1 set
13	Switch box cover	ATSW3503C2IS	1 pc
14	Switch	1400500199	1 set
15	Carbon filter locking plate	1130401492	2 pcs
16&17&18 &19&20&21&22	Motor assembly	ATM3503C2IS	1 set
23	Front panel assembly	ATFP3503C2IS	1 set
24	Magnet ring	1309800248	2 pcs
	Countersunk washer	1309800247	6 pcs
25	Aluminium filter	1300100035	2 pcs
26	Hinge	1309800249	2 pcs
27	Inner glass assembly	ATIG3503C2IS	1 set
28	Lamp bracket	1130402735	4 pcs
29	LED light	1400600399	2 pcs
30	Outer glass assembly	ATOG3503C2IS	1 set
31	Screw kit	ATSK3503C2IS	1 bag

### New Zealand

Monaco Corporation Ltd  
 Telephone: (09) 415 6000  
 Facsimile: (09) 415 7400  
 Email: enquiries@robinhood.co.nz  
 www.robinhood.co.nz

### Australia

Shiro Australia Pty Ltd  
 (ABN 28 002 386 129)  
 Telephone: 1800 648 556  
 Facsimile: 1800 628 577  
 Email: enquiries@robinhood.com.au  
 www.robinhood.com.au

