

Description

ROBINHOOD 90CM ISLAND CANOPY BLACK GLASS DC MOTOR
 RIJ3CL9BKDC



Key Features

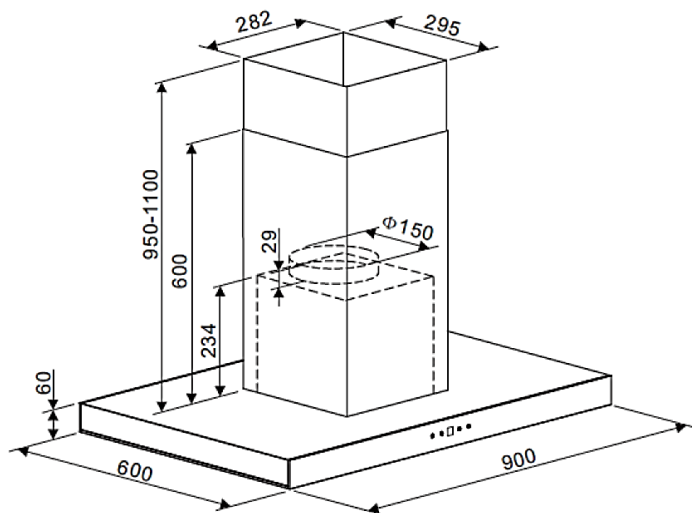
Motor Type
 DC Motor

Max Motor Performance
 850 m³/hr

Power Levels
 3

Control Type
 Touch Control

Lighting
 2 x 4W LED Strip



Dated 31/05/2022

Specifications

Voltage	220~240v
Frequency	50~60Hz
Motor Type/ Power	DC motor/ 153W
Energy Efficiency Index (EEI)	A++
Max Motor Performance	850 m ³ /hr
Power Levels	3
Control Type	Touch control
Light/ Colour Temperature	2 x 4W LED/ 6200K
Filter	2 x 5 layers aluminium filters
Installation Type	To be ducted only
Ducting Outlet	Ø150mm
Power Cord Length	1.8m
Product Dimensions (WxDxH)	900 x 600 x (660-1160)mm
Carton Dimensions (WxDxH)	960 x 415 x 675mm
Gross/ Net Weight	37.6/34Kg

Air Flow & Noise Level*		
Power Level	Air Flow (m ³ /hr) (IEC 61591)	Noise Level (dB) (IEC 60704-2-13)
1	220	38
2	600	54
3	825	63

*Air Flow & Noise Level testing is conducted in a controlled lab environment as per the IEC standards.