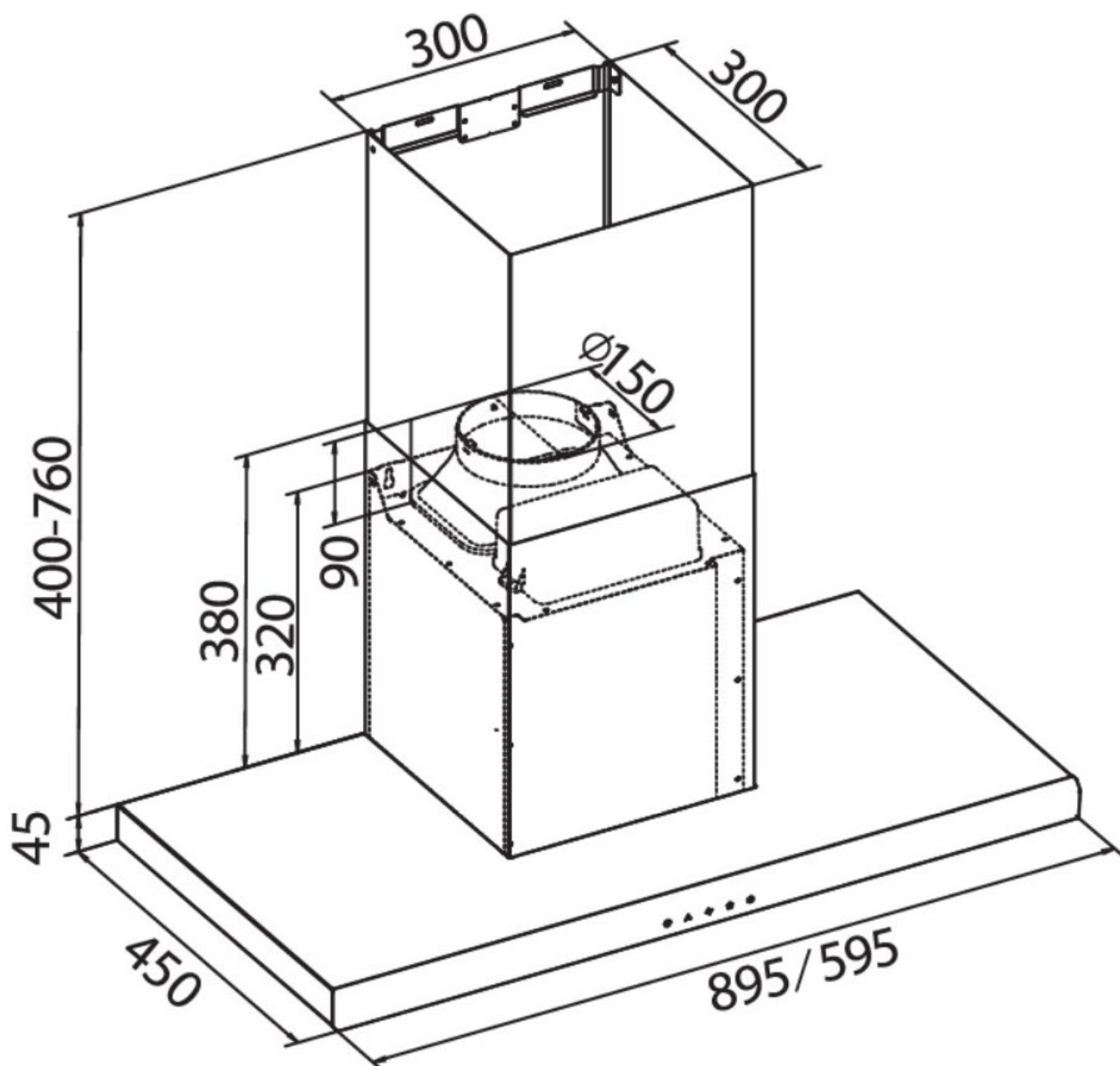
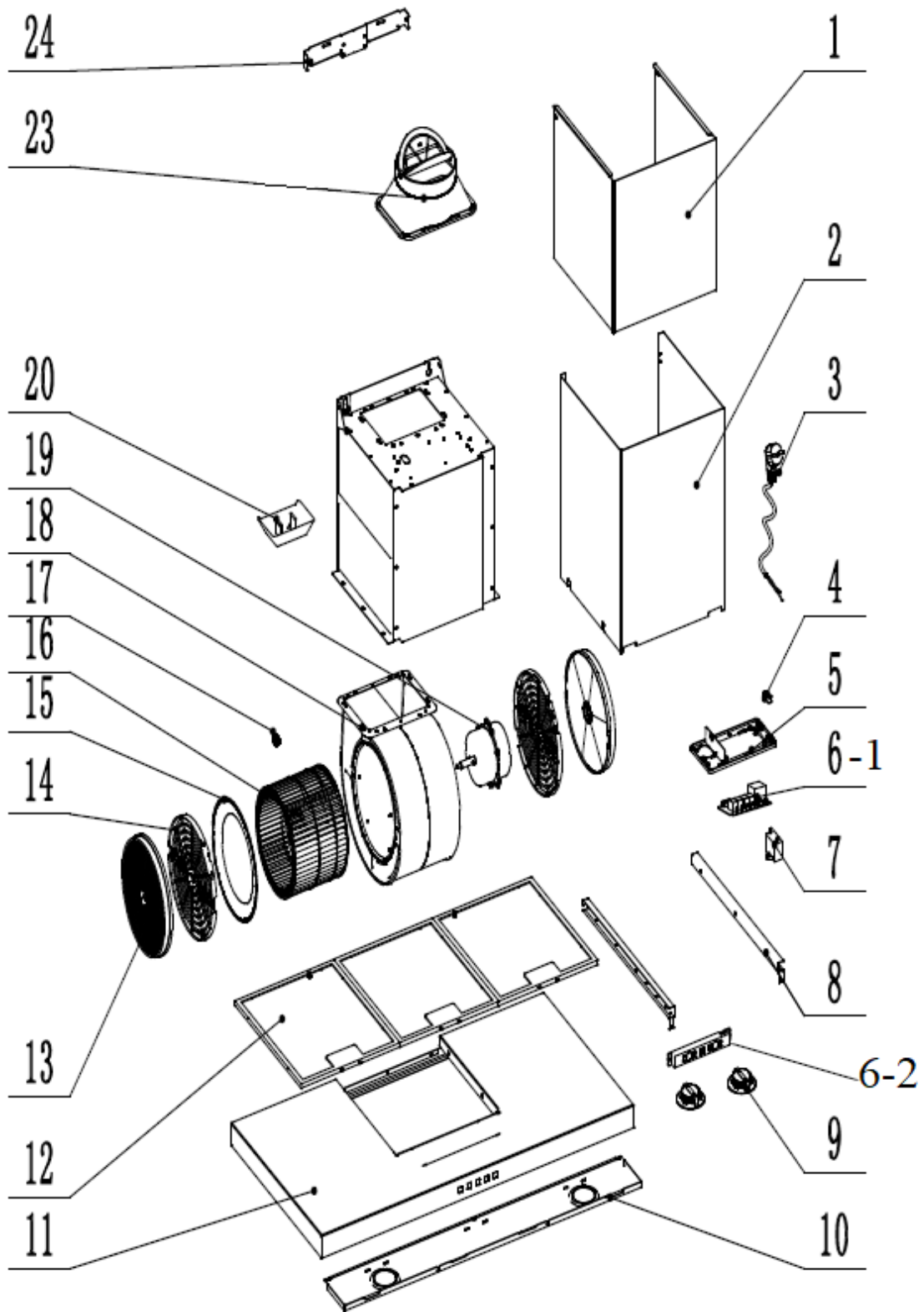


Description: **ROBINHOOD WALL CANOPY WITH SOFT TOUCH CONTROL (BRIMSTONE 60 & BRIMSTONE 90)**

Model Number: **RHWC60X(60CM) & RHWC90X(90CM)**



Exploded view



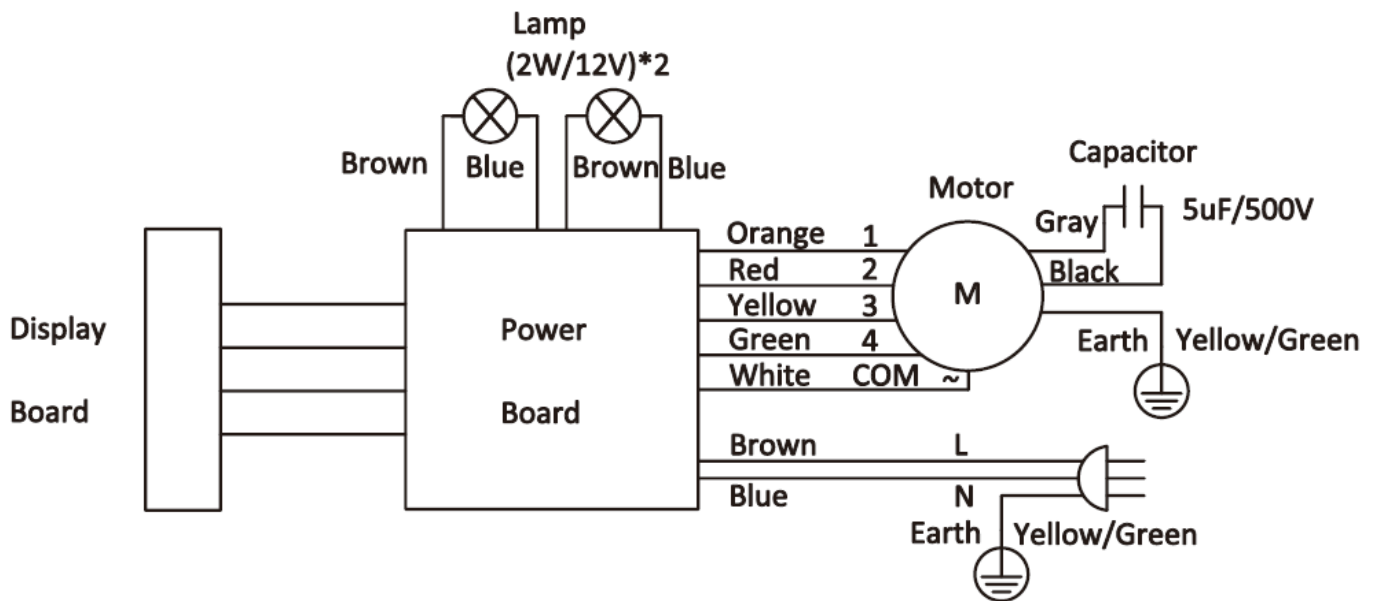
Model pictured: **RHWC90X**

Model & Parts may vary slightly from images pictured

Parts list

Item	Description	Part Number
1	Inner flue	MXGJ24000A
2	Outer flue	MXGJ19000A
3	Plug	MXGD08000A
4	Power line fixer	BFXJ23000A
5	Terminal box	MXGJ23000A
6-1	PCB	MXJD01000B1
6-2	Switch	MXJD01000B2
7	Capacitance	BZFD49000A
8	Hood body support	MXGJ06000A
9	LED light	MXGD02000A
10	LED light support	MXZJ02000A (RHWC60X); MXGJ08000A(RHWC90X)
11	Hood body	Not available outside of production
12	5 layers Aluminium filter (old)	MXGJ16000A (2pcs for 60X; 3pcs for 90X)
	SS surface decorative filter (new)	MWHJ16000A00 (2pcs for 60X; 3pcs for 90X)
13	Charcoal filter	CARBONFTLDEEU
14	Motor house side cover	MXGJ12000A
15	Air guide circle	MXGJ18000A
16	Fan blade	MXGJ11000A
17	Fan blade fixing screw	BZFJ27000A
18	Air guide body	MXGJ04000A
19	Motor	MXGD01000A
20	Oil collector	BCNJ09000A
23	Outlet assembly	MXGJ14000A
24	Inner flue fixing support	BZFJ62000A

Wiring diagram



New Zealand

Monaco Corporation Ltd
Telephone: (09) 415 6000
Facsimile: (09) 415 7400
Email: enquiries@robinhood.co.nz
www.robinhood.co.nz

Australia

Shriro Australia Pty Ltd
(ABN 28 002 386 129)
Telephone: 1800 648 556
Facsimile: 1800 628 577
Email: enquiries@robinhood.com.au
www.robinhood.com.au