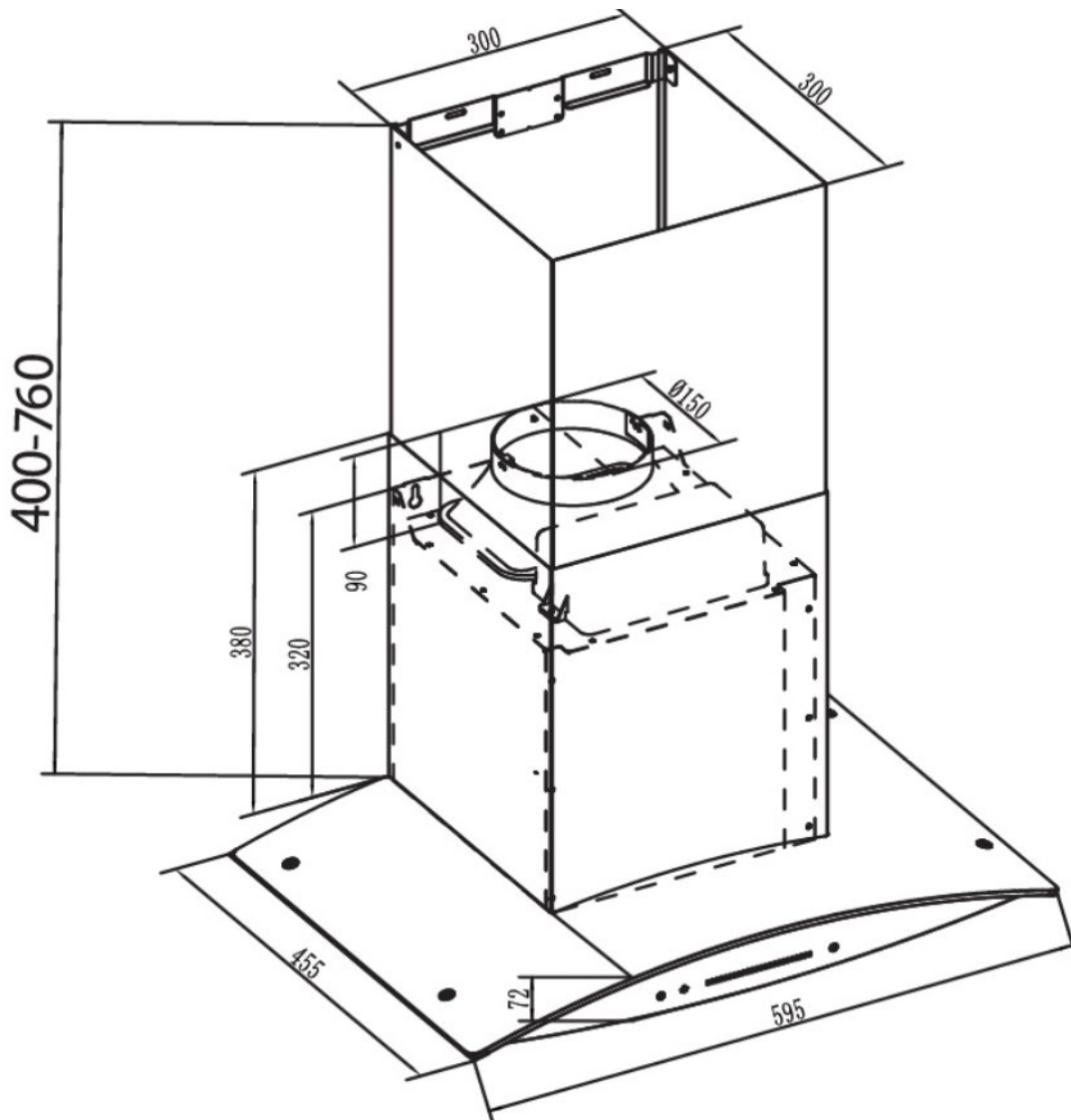


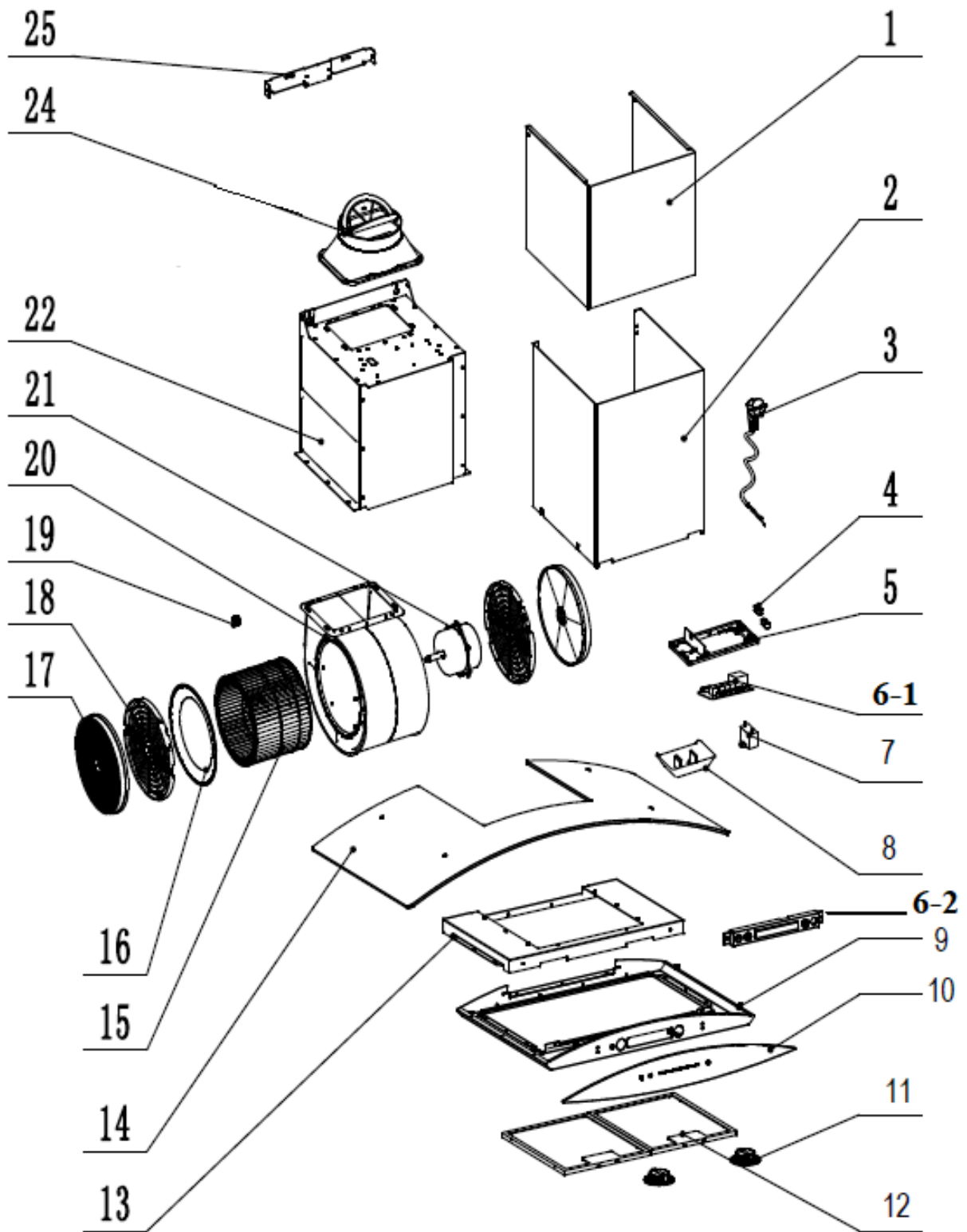
Description: **ROBINHOOD CURVED GLASS CANOPY WITH SLIDE/TOUCH CONTROL (ADONIS 60 & ADONIS 90)**

Model Numbers: **RHWC60TG (60CM); RHWC90TG (90CM)**



Model pictured: **RHWC60TG**

# Exploded view



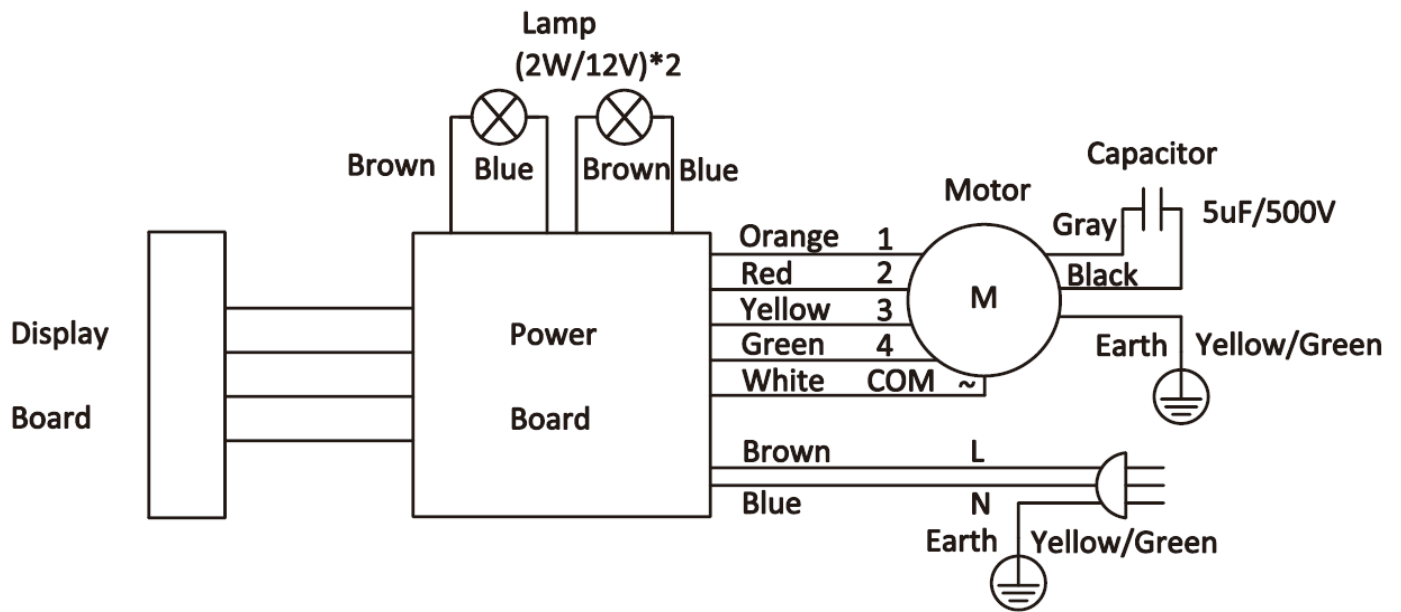
Model pictured: **RHWC60TG**

*Model & Parts may vary slightly from images pictured*

## Parts List

| Item | Description                        | Part Number                                  |
|------|------------------------------------|--|
| 1    | Inner flue                         | MXGJ24000A                                   |
| 2    | Outer flue                         | MXGJ19000A                                   |
| 3    | Plug                               | MXGD08000A                                   |
| 4    | Power line fixer                   | BFXJ23000A                                   |
| 5    | Terminal box                       | MXGJ23000A                                   |
| 6-1  | PCB                                | MXGD05000B1                                  |
| 6-2  | Switch                             | MXGD05000B2                                  |
| 7    | Capacitance                        | BZFD49000A                                   |
| 8    | Oil collector                      | BCNJ09000A                                   |
| 9    | Hood body                          | MXKJ01000A                                   |
| 10   | Control panel glass                | MXXJ10000B (RHWC60TG); MXKJ05000A (RHWC90TG) |
| 11   | LED light                          | MXGD02000A                                   |
| 12   | 5 layers Aluminium filter (old)    | BZFJ03000B (2 pcs needed)                    |
|      | SS surface decorative filter (new) | MWKJ02000A00 (2 pcs needed)                  |
| 13   | Hood body inner connector          | MXKJ04000A                                   |
| 14   | Cover panel glass                  | MXXJ02000A (RHWC60TG); MXKJ03000A (RHWC90TG) |
| 15   | Fan blade                          | MXGJ11000A                                   |
| 16   | Air guide circle                   | MXGJ18000A                                   |
| 17   | Charcoal filter                    | CARBONFTLDEEU                                |
| 18   | Motor house side cover             | MXGJ12000A                                   |
| 19   | Fan blade fixing screw             | BZFJ27000A                                   |
| 20   | Air guide body                     | MXGJ04000A                                   |
| 21   | Motor                              | MXGD01000A                                   |
| 22   | Hood body mental pieces            | n/a  |
| 24   | Outlet                             | MXGJ14000A                                   |
| 25   | Inner flue fixing support          | BZFJ62000A                                   |

## Wiring diagram



### New Zealand

Monaco Corporation Ltd  
Telephone: (09) 415 6000  
Facsimile: (09) 415 7400  
Email: [enquiries@robinhood.co.nz](mailto:enquiries@robinhood.co.nz)  
[www.robinhood.co.nz](http://www.robinhood.co.nz)

### Australia

Shiro Australia Pty Ltd  
(ABN 28 002 386 129)  
Telephone: 1800 648 556  
Facsimile: 1800 628 577  
Email: [enquiries@robinhood.com.au](mailto:enquiries@robinhood.com.au)  
[www.robinhood.com.au](http://www.robinhood.com.au)