

Description

ROBINHOOD 60CM CURVED GLASS WALL CANOPY
RHWC60TG (ADONIS 60)



Key Features

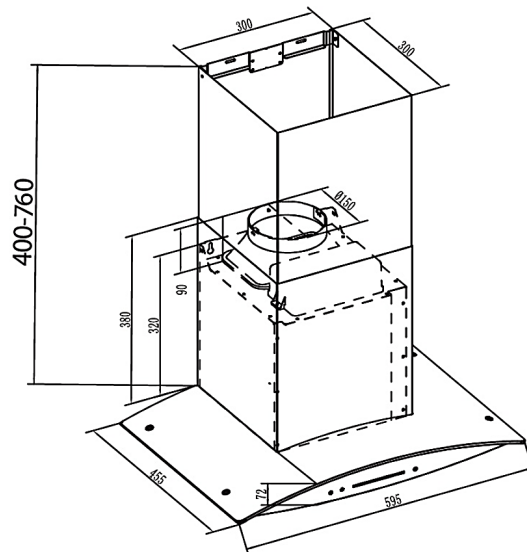
Max Motor Performance
 1200 m³/hr

AC Motor
 Fully sealed AC motor in weldless casing

Metal Fan Blades
 With Teflon finish to ensure smooth air flow

Slide/Touch Control
 User friendly control enables easy operation

Lower Noise Level
 46dB at power level 1



Specifications

AESTHETICS

Rangehood Type	Wall Canopy
Finish	Stainless Steel + Black Curved Glass
Filter Type	Decorative SS/Aluminium Filters
No. of Filters	2
Light	2 * 2W LED

TECHNICAL DETAILS

Power Levels	3 + Intensive
Motor Wattage	180W
Voltage/Frequency	240V/50Hz
Total Power Consumption	184W
Plug	Fitted, 10AMP

DUCTING

Ducting Diameter	Ø150mm
Ducting Type	Can be ducted or recirculated
Optional Charcoal Filter	CARBONFTLDEEU (Pack of 2) EXTKITDEEU27 (For 2.7m stud) EXTKITDEEU30 (For 3.0m stud)

DIMENSIONS & WEIGHTS

Chimney Size (W*D*H)	300*300*(400-760)mm
Product Dimensions (W*D*H)	595*455*(472-832)mm
Carton Dimensions (W*D*H)	655*530*530mm
Net/Gross Weight	18.5/20.5Kg

IEC 61591 Test Data		
Power Level	Air Flow (m ³ /hr)	Noise Level (dB)
1	520	46
2	633	51
3	819	55
Intensive	965	61