

**Description** : Robinhood Wall Canopy DC Motor with Gesture Control

**Model Number** : RHWC60TBWDC (60cm), RHWC90TBWDC(90cm)



Model Pictured: **RHWC60TBWDC**



Model Pictured: **RHWC90TBWDC**

*\*Actual unit may vary from above model pictured*

# Contents

## **Congratulations!**

Thank you for choosing one of our appliances. Before you use the appliance, we strongly recommend that you read through the whole user manual which provides important safety instructions and description of the product and the proper use of its functions.

To avoid the ever-present risks involved with using an electrical appliance it is vital that the oven is installed correctly and that you read the safety instructions carefully to avoid misuse and hazards. It is important that you retain these instructions and your proof of purchase along with any other important documents about this product for future reference.

Due to continual product development, Robinhood reserves the right to alter specifications or appearances without notice.

Important Safety Instructions.....	1
Appliance Details .....	2
Installation Instructions .....	3
Operation Instructions .....	7
Cleaning and Maintenance .....	10
Troubleshooting .....	11
Warranty Certificate (New Zealand).....	12

## **DISPOSAL INFORMATION**

- Most of the packing materials are recyclable. Please dispose of these materials through your local recycling depot or by placing them in appropriate collection containers.
- If you wish to discard this product, please contact your local authorities and ask for the correct method of disposal.

## Important Safety Instructions

**IMPORTANT:** Read the assembly instruction section and safety precautions of this booklet carefully before removing the contents of this carton.

1. All electrical work must be done by a registered electrician in accordance with local and national electrical codes as applicable.
2. If the supply cord of this equipment is damaged, it must only be replaced by the manufacturer or its service agent or a similarly qualified person in order to avoid a hazard.
3. This rangehood is designed for indoor use only and must be in a dry location.
4. Disconnect the power supply before cleaning or maintenance.
5. This appliance is not intended for use by persons (including children) with reduced physical, sensory or mental capabilities or lack of experience and knowledge if they have been given supervision or instruction concerning use of the appliance in a safe way and understand the hazards involved. Children shall not play with the appliance. Cleaning and user maintenance shall not be made by children without supervision.
6. Young children should be supervised to ensure that they do not play with the appliance.
7. There shall be adequate ventilation of the room when the rangehood is used at the same time as appliances burning gas or other fuels.
8. There is a fire risk if cleaning is not carried out in accordance with the instructions. You must read the details concerning the method and frequency of cleaning.
9. Do not flambe under the rangehood.
10. Exhaust air must not be discharged into an existing flue which is used for exhausting fumes from appliances burning gas or other fuels.
11. The minimum distance between the hob surface and the lowest part of the rangehood is 600mm.
12. Attention should be given to ensure that any applicable regulations concerning the discharge of exhaust air is fulfilled.
13. **CAUTION:** Accessible parts may become hot when used with cooking appliances.
14. Range hoods and other cooking fume extractors may adversely affect the safe operation of appliance burning gas or other fuels (including those in other rooms) due to back flow of combustion gases. These gases can potentially result in carbon monoxide poisoning. After installation of a range hood or other cooking fume extractor, the operation of open flued gas appliances should be tested by a competent person to ensure that back of combustion gases does not occur.
15. The power plug must be accessible after installation.
16. **WARNING:** Failure to install the screws or fixing device in accordance with these instructions may result in electrical hazards.
17. Please refer to page 3 for installation instructions and page 7 for maintenance instructions.

## Appliance Details

<b>Voltage &amp; Frequency</b>	220 - 240Vac 50Hz	
<b>Model</b>	RHWC60TBWDC	RHWC60TBWDC
<b>Lamp Max</b>	2 x 2W LED lights	
<b>Rated Input Power</b>	274 W	
<b>Supply connection</b>	10A plug	

### Contents of packaging:

- 1 x Rangehood unit
- 1 x Booklet
- 1 x Flue bracket
- 2 x Flues
- 1 x Installation accessory bag
  - 2x Black mounting lugs
  - 5x ST4, 40mm screws
  - 2x M4, 8mm screws
  - 8x ST3.5, 9.5mm screws
  - 3x Washers

### Typical equipment required:

- Electric drill
- Screwdriver
- Tape measure
- Spirit level
- Ducting tape
- Jigsaw and ladder if needed

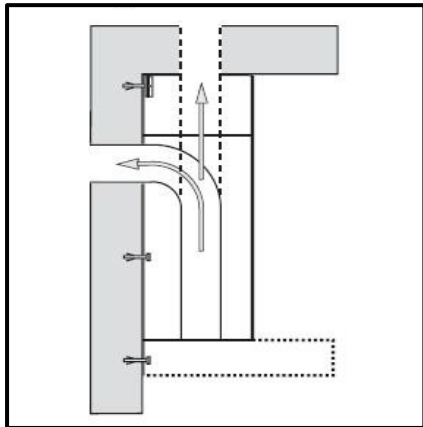
# Installation Instructions

## General Information

Before installing and operating the rangehood, carefully read the following important information regarding installation safety and maintenance. Keep this information booklet accessible for further consultations.

## Ventilation

This rangehood is designed for various ventilation environments. Depending on the available ducting solution in your kitchen, this rangehood can be ventilated as shown in **Fig 1**:



**Fig.1**

- The rangehood can be ventilated through the wall or roof by different ducting solution, which needs to be purchased separately.
- Robinhood strongly recommends semi-rigid ducting pipe to be used for optimised performance.
- Please contact Robinhood for further information about Uniduct® professional rangehood ducting solutions.

## Before Connecting to Power Supply

- Check the rating label (positioned inside of the rangehood) to ascertain the voltage & power correspond to the network as well as the power socket are suitable.
- If unsure, please seek help from qualified professionals.

## Electric Connection

- An earth cable is necessary.
- After installation, the plug of rangehood must be easy to access.
- An omnipolar switch with a minimum aperture of 3mm between contacts.
- In line with the electrical load and local standards, must be placed between the appliance and the network, in case of direct connection to the electrical network.
- If a connection tube composed of two parts is used, the upper part must be placed outside the lower part.

**Note:** Assembly and electrical connections must be carried out by specialized personnel.

# Installation Instructions

**Warning:** Do not connect the rangehood ventilation to the same conductor used for circulating hot air or evacuating fumes from other power sources operated appliances.

## Wall Mounting Preparations

- Carefully design and cut the venting hole in a desired area on the wall according to the most suitable ducting solution. (Ducting kits or venting pipes need to be purchased separately).
- Ensure no electric wires, gas or water pipes in the area of the venting hole is located.
- The rangehood should be installed at a distance of 60-75cm from the cooking surface for the best air movement performance. (See Fig.2)

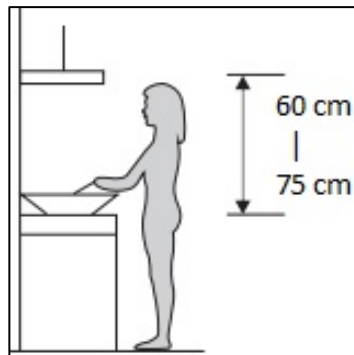


Fig.2

- Before installing and mounting the rangehood unit on the wall, remove the anti-grease filter from the rangehood unit for easier handling. (See Fig.12 on page 10)

## Wall Mounting Instructions

2. Mark a vertical centre line on the wall from the ceiling to the lower edge of the rangehood. Mark positions for the screws and contour of the mounting brackets' area, see Fig.3.

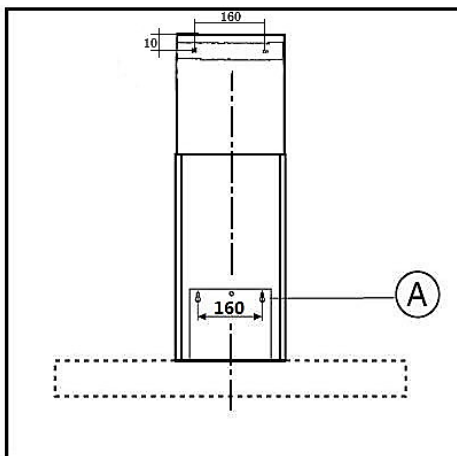


Fig.3

1. Drill 5x  $\varnothing 8$ mm holes with a depth of 50 mm for the screws and mounting brackets, see Fig.4.

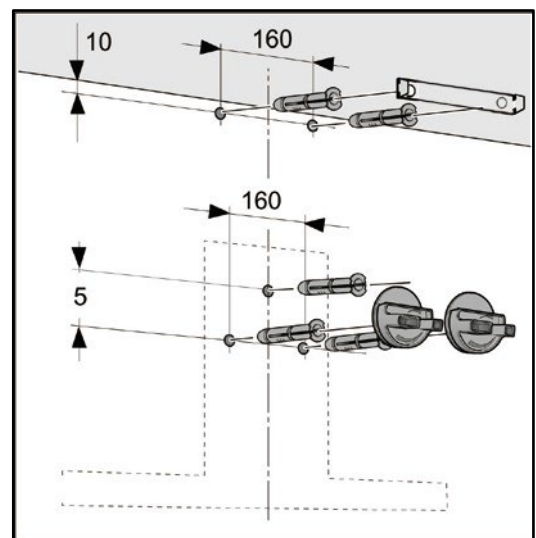
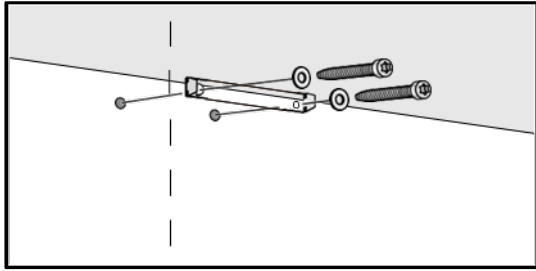


Fig.4

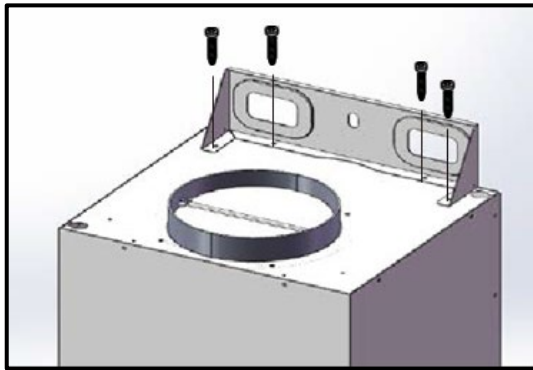
# Installation Instructions

3. Install 2 screws for the flue supporting brackets, see **Fig.5**.



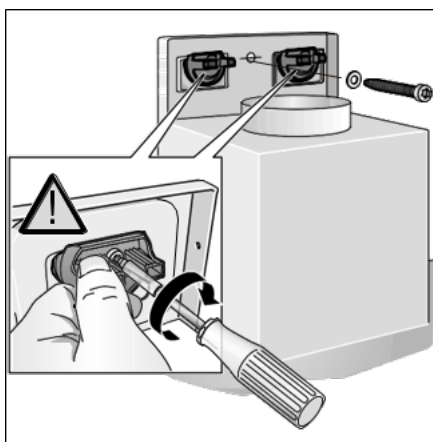
**Fig.5**

5. Place the hanging plate on the top of rangehood unit and fix it with 4 screws that are firmly tightened, see **Fig.7**.



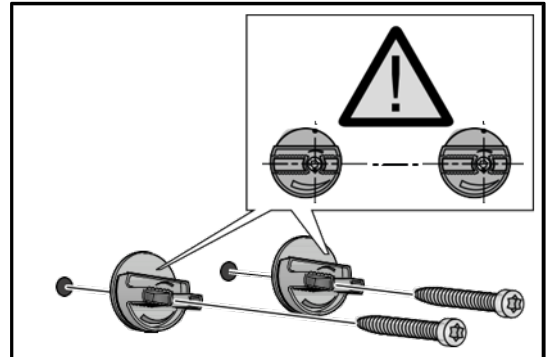
**Fig.7**

7. Hold the rangehood unit and mounting lugs securely when tightening the screws inside of the lugs. Note: The screws need to be fully tightened by now, see **Fig.9**.



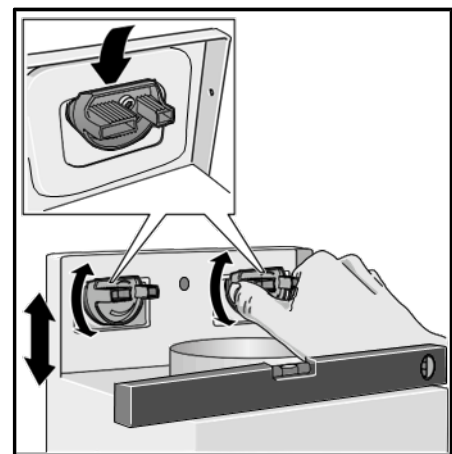
**Fig.9**

4. Insert the screws into the black mounting lugs and hand tight them only. **Do not firmly tighten the screws yet**, see **Fig.6**.



**Fig.6**

6. Before mounting the rangehood unit on the wall, ensure the unit is firmly engaged with the mounting bracket. Adjust the rangehood unit's position by slowly turning the mounting lugs, see **Fig.8**.



**Fig.8**

## Installation Instructions

8. Ensure the power supply is located within the flue coverage and easy for the rangehood's power cord to reach. Also, ensure the venting hole is cut at the desired position. Adjust the upper flue supporting bracket, ensure it is correctly located in the desired position for holding the flue securely.
10. Connect the ducting pipe with the ducting outlet C on the top of the rangehood unit and lead the pipe to reach the venting hole on the wall. Slide the upper flue into the lower flue and put both flue pieces down to the rangehood top, see **Fig.10**.(Note: Ducting pipe needs to be purchased separately. Please contact Robinhood or installation experts for more details.)

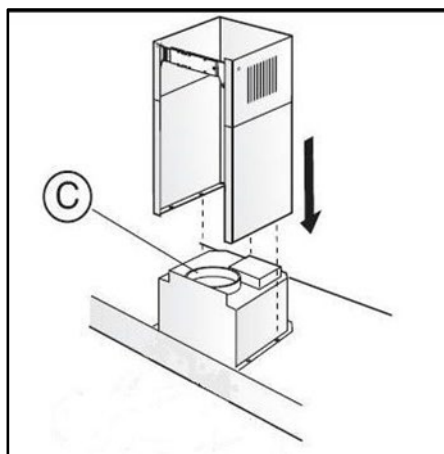


Fig.10

9. Fix the screws from the sides of the upper flue to ensure the flue pieces are securely held by the flue bracket. Ensure screws A & B are fully tightened, see **Fig.11**.

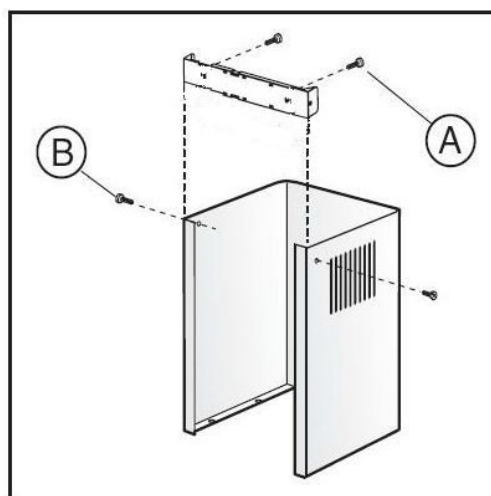


Fig.11

### WARNING



- For safety reason, please use only the same size of fixing or mounting screws which are recommended in this instruction manual.
- Failure to install the screws or fixing device in accordance with these instructions may result in electrical hazards.
- In case of mounting the rangehood unit on a different type of wall surface, please ensure suitable fixing hardware or solution is utilized. Please seek professional advice from an authorized installer for safety reasons.
- In some special ducting situations, extra lengths and/or bends may be required, depending on the length required and whether there is any structural material in the run e.g. rafters. NOTE: The shorter the duct length, the better the performance.

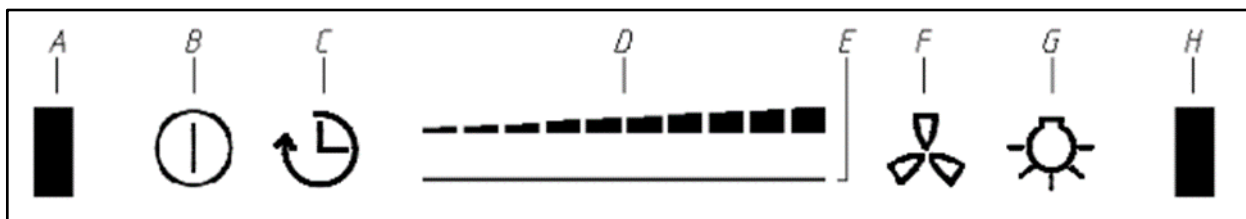
### Important:





- It is recommended to operate the appliance prior to cooking.
- It is recommended to keep the rangehood on for additional 15 minutes after cooking to ensure the best result of removing smoke or odor in the kitchen.







# Operation Instructions

## Control Panel



No.	Icon	Icon Name/Type	Icon Definition	Key Indicator Display
A		Infrared Sensor	Working with H zone, the rangehood starts or off	Through the A-H induction area, the rangehood starts the fan, lights and adjusts the gear
B		Power Switch/ Touch Key (Press)	The hood opens and closes	When the button is touched, it lit up and the rangehood enters to standby mode; Touch again, the light and power are turned off.
C		Delay Timer/Touch key (Press)	The fan shuts down when working	Before the fan starting, press the delay timer key to start the fan at the lowest speed and delaying function starts. When the key is touched, it's lit up starts blinking until the fan turns off and the key indicator is off. If touch it again, the delay function and indicator are both turned off.
D		Timing or Fan Speed Display/ LED	Displays quantized values	The maximum timer setting is 50min (5min per grid), and the speed display is 01-10 (10 gears) from the left to right.

## Operation Instructions

No.	Icon	Icon Name/Type	Icon Definition	Key Indicator Display
E		Gear adjustment/ Touch key (Press)	Sliding control quantization values	The key is touched by sliding, and the gear is 01-10 (10 gears).
F		Fan Speed/Touch key (Press)	Controls fan speed	When the key is touched, it lit up, and the fan starts; Touch again, the fan stops, and the key light is off.
G		Light/ Touch key (Press)	Lighting on or off	When the key is touched, it lit up, and the lamp is turned on; Touch again, the light is turned off.
H		Infrared sensor	Working with A zone, the hood opens and closes	Through the H-A induction zone, the fan delays turning off or turns the power off.

### Description of Each Mode

- **Power-on Mode:** Turns the power on, all key indicators lit up for 1 second, and the LED display lights up the grid from left to right and then turns off.
- **Standby Mode:** In power off mode, press B key (power button), it's lit up and entered to the standby state.
- **Power-off Mode:** In standby mode, press B to enter power-off state. In the standby state, no other operation is performed within 5 minutes.

## Functions & Operations

- In standby mode, press F key, the motor starts from first gear (fan speed 1), and D display shows the first bar on the left. At this time, the fan speed can be changed by sliding touch E and reflected on D display; When the motor is in 10th gear, D display is lit up in full and the 10th gear is flashing, and it will automatically drop to 9th gear after continuous operation for 2 minutes. If you press the F key again, the motor turns off.
- When the motor is operating, press the C key, it will be lit up and the first bar of D display screen starts to flash, then you can slide touch E to change the desired delay time and reflect it on D display screen (each bar is 5 minutes). D display screen will return to fan speed indication after C key flashes for 3 seconds. At this time the motor enters the delayed timer mode. To cancel this function, just press the C key again.
- In power-off mode, when the gesture (hand wave with palm facing the rangehood control panel) passes through the A-H sensing area successively, the B & F key indicators lit up, and the rangehood unit starts operating with 2nd gear, and light is on. The motor gear can be operated repeatedly through gestures. Each gesture (hand wave) increases 2 gears. Each time the gear is increased, the increased slide bar is lit accordingly.
- Each fan speed from gear 1-10 can only be accurately selected by touch control, not gesture control.
- In standby mode or the LED light is working, a reversed gesture passes through the H-A induction area, light will be turned off.
- When the motor is working, a reversed gesture through H-A sensor area, it enters delay timer function; reverse wave again, it turns the unit off.
- The human gesture sensor control is default on the rangehood. In power off mode, press C key to check if the current gesture sensing function is activated. If C key is lit up for 3 seconds then turns off, it means that the gesture sensing function is activated and ready to use; if C key flashes for 3 times, it means that the gesture sensing function is deactivated. In power off mode, press and hold C key for 3 seconds to switch the gesture sensing function off or on.

## Cleaning & Maintenances



**Any electrical repairs to this appliance must conform to your local, state and federal laws. Please contact the service center if in any doubt before undertaking any of the above**

### General Cleaning

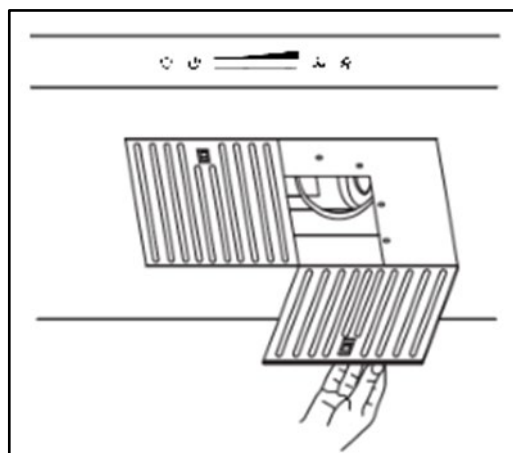
- Regularly clean the filters, fan and other surfaces of the rangehood by using a damp cloth with mild household cleaning detergent. Strong chemical is not recommended.
- Cleaning and maintenance should be carried out with the appliance cold especially when cleaning. Avoid leaving alkaline or acid substances (lemon juice, vinegar etc.) on the surfaces.
- External surfaces are susceptible to scratches and abrasions, so please follow the cleaning instructions to ensure the best possible result is achieved without damage.
- The stainless steel must be cleaned regularly (e.g. weekly) to ensure a long life expectancy. Dry with a clean soft cloth. A specialized stainless steel cleaning fluid may be used. (NOTE: Ensure that wiping is done along with the grain of the stainless steel to prevent any unsightly crisscross scratching patterns from appearance.)
- The control panel can be cleaned using warm soapy water. Ensure the cloth is clean and well wrung before cleaning. Use a dry soft cloth to remove any excess moisture left after cleaning.
- Important: Using neutral detergents and avoid using harsh cleaning chemicals, strong household detergents or products containing abrasives, as this will affect the appearance of the appliance and potentially remove any printing of artwork on the control panel and will void manufactures warrantee.

### Cleaning Baffle Filters

In order to prevent fire hazard, it is recommended to clean the grease filter regularly, i.e. clean the filter every 2 months depends on usage of the rangehood and type of cooking habits.

To clean the baffle filters by following below instructions, see **Fig. 12**:

- Remove the baffle filters from the rangehood by holding and releasing the latch on each filter.
- Soak and wash the filters in warm water and neutral liquid detergent.
- Rinse thoroughly with warm water and leave to completely dry.
- The baffle filters are also dishwasher safe.
- **Note:** The baffle filters may alter in color after several washes.



**Fig.12**

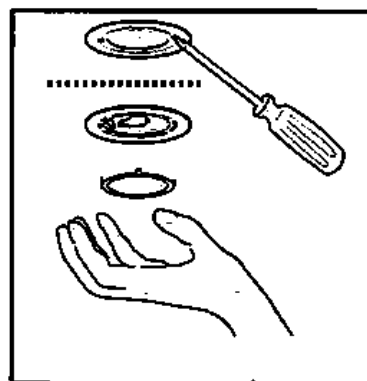
# Cleaning and Maintenaces

## LED Lights Care & Replacement



The LED lights installed on the rangehood are designed to illuminate the cooking area while cooking, not for prolonged general illumination of the environment. Prolonged use of the LED light may reduce its lifetime.

- To replace the LED lamp, use a flat-headed screwdriver to lift the light fixture and remove the damaged light, see **Fig.13**.
- Replace a new lamp and snap fit back to the original position.
- Always use the genuine light from Robinhood.
- It is recommended to conduct the light replacement by authorized personnel.



**Fig.13**

## Troubleshooting

Problem	Possible Reasons	Solution
Rangehood doesn't work	Electric supply	Check whether the plug is connected
		Check whether the main switch is turned on
Poor airflow	Baffle filters clogged	Clean the filters and restore back when 100% dry
Motor running without air flow	Butterfly valve jammed	Contact technician for replacement or unjam action
After running for a while, motor stops working	High temperature safety device activated	The kitchen area is not sufficiently ventilated
	The hood is being installed too close to the cooking stove	The bottom of rangehood must be least 65cm from the stove surface
Oil dripping	Oil cup missing or not installed	Clean or replace filter and restore oil cup
	Baffle filter saturated	Clean the baffle filters
Whirring sound	Fan blade problem	Contact with technician

# Warranty Certificate (New Zealand)

## Terms and Conditions

The following conditions apply in respect of the warranty given in this certificate:

1. Monaco Corporation Limited ("Monaco") warrants the following Robinhood products against manufacturing defects and faulty materials, under normal use and subject to the exclusions in this certificate, for a period of:  
**Rangehood, Ovens, Cooktops, Dishwashers** - 24 months from date of original purchase for domestic use.  
**Uniduct** – 12 months from date of original purchase for domestic use.  
**Ironing centre** – 12 months from date of original purchase for domestic use.  
**Laundry Tub** - 5 years on stainless bowl, 24 months on Tap, Cabinet and other components from the date of original purchase for domestic use.

"Original purchase", when used in this certificate, means purchase by the customer directly from Monaco or one of its approved suppliers.

2. This warranty is limited to the repair or replacement, at our option, within the warranty period of any component part which we at our discretion determine to contain faulty materials or a manufacturing defect in breach of this warranty. This warranty is subject to terms and conditions set out in this certificate.
3. The warranty only applies within New Zealand.
4. The customer must produce the original invoice or other purchase documentation as proof of the original purchase date.

## Warranty exclusions

1. The warranty does not apply where, in Monaco's opinion:  
The defect is caused by misuse, wear and tear, dirt, fire or accidental damage.  
The product has been repaired or serviced by an unauthorised person.  
The product was not installed in accordance with our instructions.  
The product was purchased overseas or was not designed for use in New Zealand.  
The product was not used, cleaned or cared for in accordance with our instructions.  
The product was used outdoors.
2. In addition, this warranty does not extend to damage or defects which in our opinion, directly or indirectly arise from or are due to:  
Exposing the product to acidic or corrosive materials or chemicals such as dyes, solvents, denture cleaner or acetone;  
Using inappropriate household cleaning products such as abrasive cream or powder cleansers, furniture polish, bleach, mentholated spirits, drain cleaners, sugar soap, metal pads and strongly alkaline or acidic cleaners;  
Heat damage, including from washing the product at high temperatures;  
Impact or mishandling the product, including the impact caused by objects scraped along, thrown or dropped on the product surface or excessive weight being placed on the product;  
Structural or support changes in or affecting the building or the application where the product has been installed;  
Failure to clean or maintain the product as recommended; or  
any other causes specified in the product information as being excluded from this warranty.
3. Variations with the colour or gloss within the product or any ageing or fading of colour, shine or gloss level over time are not covered by this warranty. The warranty does not cover visual imperfections or blemishes in the surface and edges of the product that were not brought to your supplier's attention at the time you inspected the product.
4. Costs incurred on installation or removal of a product, or any reinstallation of a product, or any associated costs, are not covered by this warranty.
5. Monaco will not be liable for consequential or indirect loss or damage whatsoever and however arising out of or in connection with the supply, performance or removal of the product, including (but not limited to) loss of profit, loss of revenue, loss of contract, loss of goodwill or increased cost of workings, even if due to the negligence of Monaco or any of its approved suppliers, employees or agents.
6. Charcoal filters and light bulbs are not covered by this warranty
7. This warranty and the statements contained in this certificate or other documents given to you do not exclude, restrict or modify the application of any term implied into this warranty by statute, provided that (to the extent any statutory provision permits Monaco to limit its liability for a breach of an implied condition or warranty) Monaco's liability for such breach is limited to the payment of the cost of replacing the product, repairing the product or acquiring an equivalent product.
8. Subject to clause 5, our obligations under this warranty are limited to those set out in this certificate, and this warranty is expressly instead of all other warranties, express or implied, including any implied warranty of merchantability or fitness for a particular purpose and notwithstanding any course of dealing between the parties or custom and usage in trade to the contrary.

Terms and conditions are subject to change.